

**2ft. x 2ft.**

# DROP-IN CEILING SPEAKER

**NO CEILING  
TILE CUTTING  
WITH 2' X 2'  
CEILING FRAME**

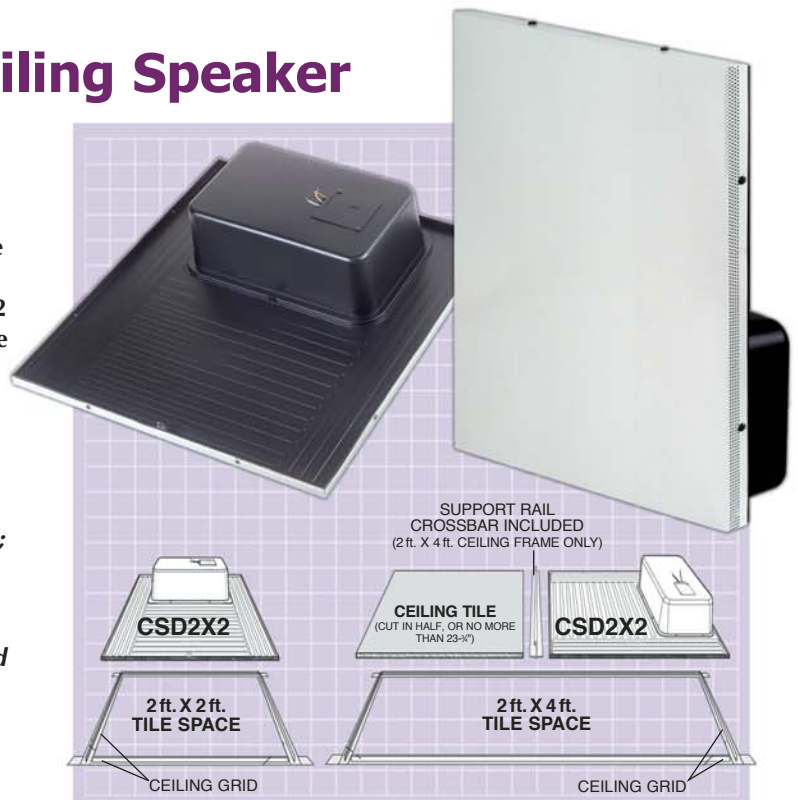


## CSD2X2 Drop-In Ceiling Speaker

Bogen's CSD2X2 Drop-In Ceiling Speaker is a full-range speaker that allows for fast and easy installation, which saves installation time, effort, and cost.

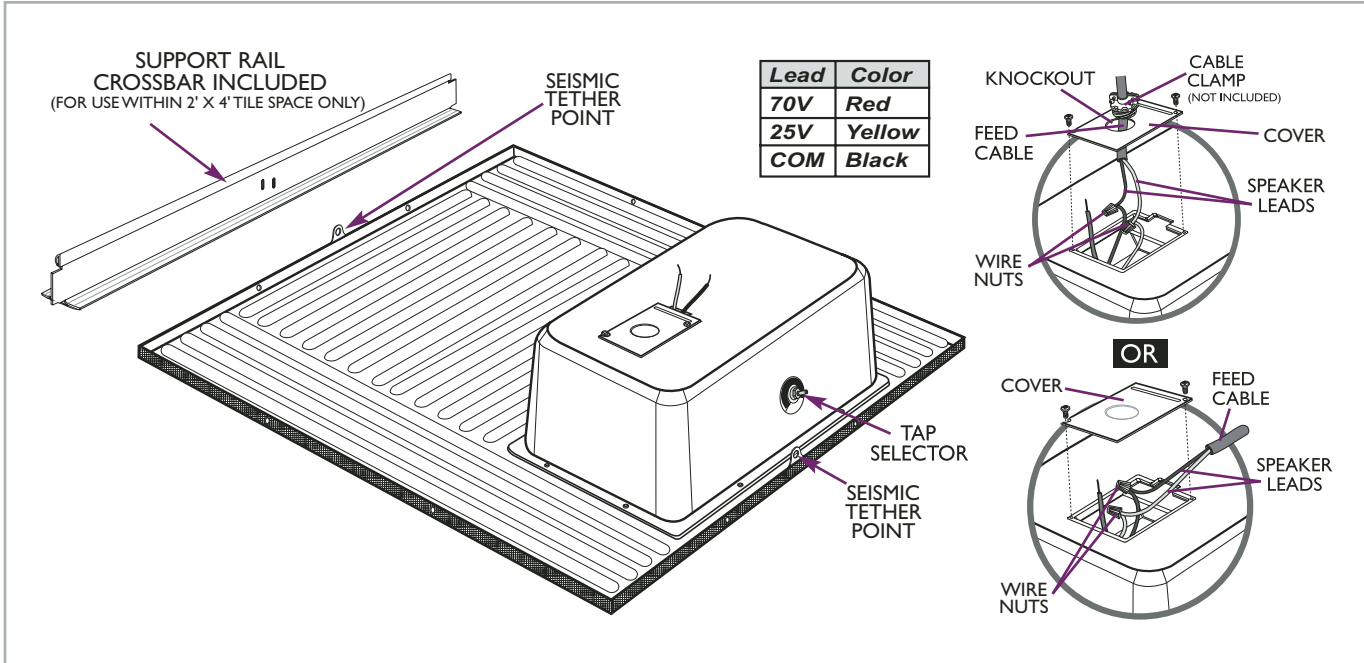
The CSD2X2 is a 2' x 2' speaker that fits perfectly into place in 2' x 2' ceiling frames - without needing to cut ceiling tiles or requiring the use of tile support rails. The CSD2X2 can also be easily installed in 2' x 4' ceiling tiles - just make one cut to the ceiling tile, position the support rail, and drop the speaker into place.

- *Finely perforated grille over the entire front of speaker*
- *Fully enclosed, industrial grade steel construction*
- *70V/25V, 4-watt transformer (4, 2, 1, .5, .25 watt) taps; selected by rotary switch*
- *8" main cone with secondary high frequency cone*
- *For use with both 2 ft. x 2 ft. and 2 ft. x 4 ft. suspended tile ceilings*
- *Support rail crossbar (included)*



**BOGEN®**

# CSD2X2 Drop-In Ceiling Speaker



## SPECIFICATIONS

Frequency Response	.....95 Hz - 20 kHz
SPL @ 1W / 1M	.....94 dB
Power Taps	.....4, 2, 1, .5, .25
Dispersion @ 2 kHz (6 dB down)	.....100°
Cone Material & Surround	.....Treated paper
Cones	.....8" main cone with secondary high frequency cone
Magnet Weight	.....10 oz.
Connection	.....Via wire nuts (included in electrical box)
Dimensions	.....23- <sup>13</sup> / <sub>16</sub> " W x 5" H x 23- <sup>13</sup> / <sub>16</sub> " D
Product Weight	.....12 lb.

## Architect and Engineer Specifications

The speaker shall be a Bogen Model CSD2x2 Drop-In Ceiling Speaker, which shall be fully enclosed and constructed of industrial grade steel. It shall be comprised of a damped high-compliance factory-mounted 8" loudspeaker that shall consist of an 8" treated paper main cone, a secondary high frequency cone, and a 10 ounce magnet. The unit shall have a 70V/25V transformer with power taps of 4, 2, 1, .5, and .25 watts, selectable by rotary switch. Output shall be 94 dB @ 1 watt / 1 meter (min.). Frequency response shall be 95 Hz - 20 kHz (min.). The speaker shall have a non-reflective, white metal finish grille.

The speaker assembly will fit into 2' x 2' and 2' x 4' ceiling tiles. For 2' x 2' installations, a support rail shall not be needed and no cuts to the ceiling shall be necessary. For 2' x 4' installations, a single cut to the ceiling tile and an included support rail shall be needed. The speaker shall measure 23-13/16" W x 5" H x 23-13/16" D and weigh 12 lb.

**BOGEN®**  
COMMUNICATIONS, INC.

50 Spring Street, Ramsey, NJ 07446, U.S.A.  
Tel: 201-934-8500 Fax: 201-934-9832 www.bogen.com

Specifications subject to change without notice.  
© 2004 Bogen Communications, Inc.  
Part No. 54-9266-01A Printed in U.S.A. 0408