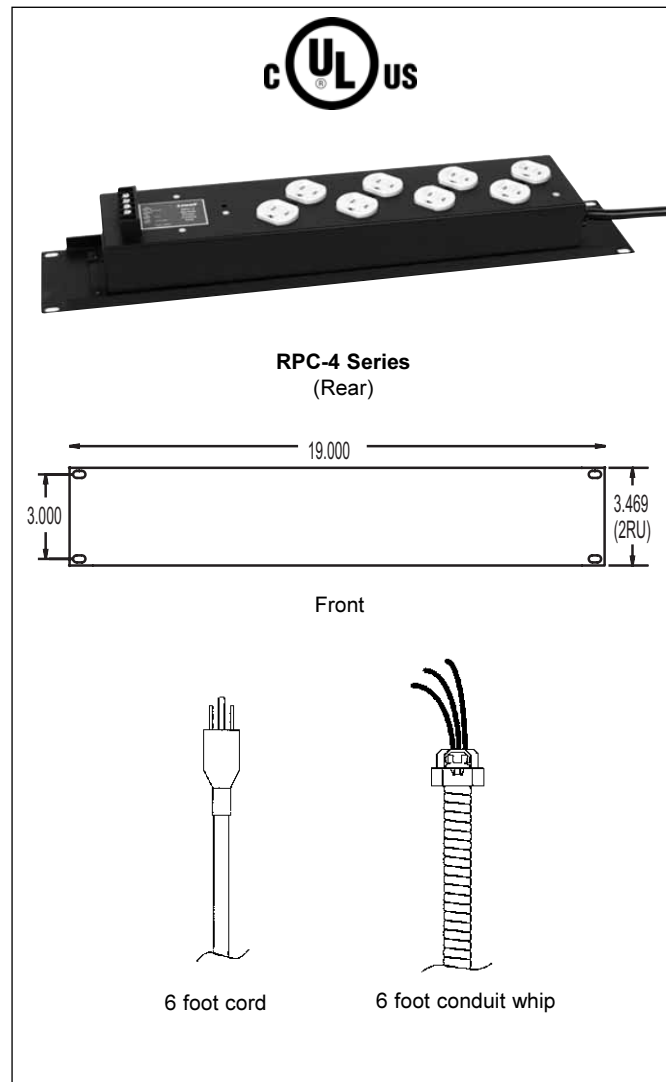


Description

Lowell RPC-4 UL Listed remote power control on 19"W rackmount panel may be combined with a variety of switches, modules, and/or sequential control devices (manufactured by Lowell or others) to provide a versatile low-voltage method of turning specific equipment on and off from a remote location. The ability to safely control AC power distribution without directly accessing equipment minimizes the potential for accidental or unauthorized system modifications, adjustments, or vandalism. System integration applications include commercial, educational, entertainment, government, and religious facilities where remote power control is desired. Assemblies are UL Listed under Standard 813.

RPC-4-MC and **RPC-4-CD** are 15-amp remote power controls with four duplex outlets, power supply, relay, circuit breaker, and a six foot metal conduit whip or six foot cord with grounded plug (Nema 5-15) respectively. Controls are mounted on a 19"W steel rackmount panel with the outlets and terminal strip to the inside and the blank security panel visible to the front of the rack to prevent unauthorized access. For rackmount remote power control with front access see model *ACSPR-RPC-1-1509* which also offers surge suppression with over/under voltage protection in a 1RU chassis. Series RPC-4 assemblies are 2RU and mount directly to front or rear cabinet rails for convenient plug-in access. Assemblies are 19"W x 3.5"H x 2.75"D and finished in black powder epoxy.

Series RPC-4 rackmount remote panel controls are designed to mount in close proximity to the equipment that is to be remotely switched. Low-voltage, 3-conductor cable is then run from the RPC terminal strip to a control switch such as Lowell wall switch Model RPSW-P (figure 1) or rackmount panel switch Model RPSB-R. Systems may also be configured with multiple RPC controls activated by a single switch (figure 1) or with one or more RPC controls activated by multiple switches (figure 2). RPC controls are also a key component in Lowell's modular sequential control systems for installations where equipment must be activated in a time/delay sequence (see specifications on Lowell's SCS series low voltage sequencers).



RPC-4 Series UL Listed* Remote Power Controls

Model	Style	Power Rating	Outlet Type	Size	Termination	Switch Type
RPC-4-MC	19"W Rackmount	15A, 125vac	4 duplex	(2RU) 19"W x 3.5"H x 2.75"D	6 foot conduit whip	Dry contact**
RPC-4-CD	19"W Rackmount	15A, 125vac	4 duplex	(2RU) 19"W x 3.5"H x 2.75"D	6 foot cord	Dry contact**

*UL File No. E210920 (UL 813). **Minimum rating 30 vdc, 40 mA.



RPC-4 Series

Rackmount Remote Power Controls

P O W E R

AC Rackmount 19" EIA

AC Strips Rackmount Vertical

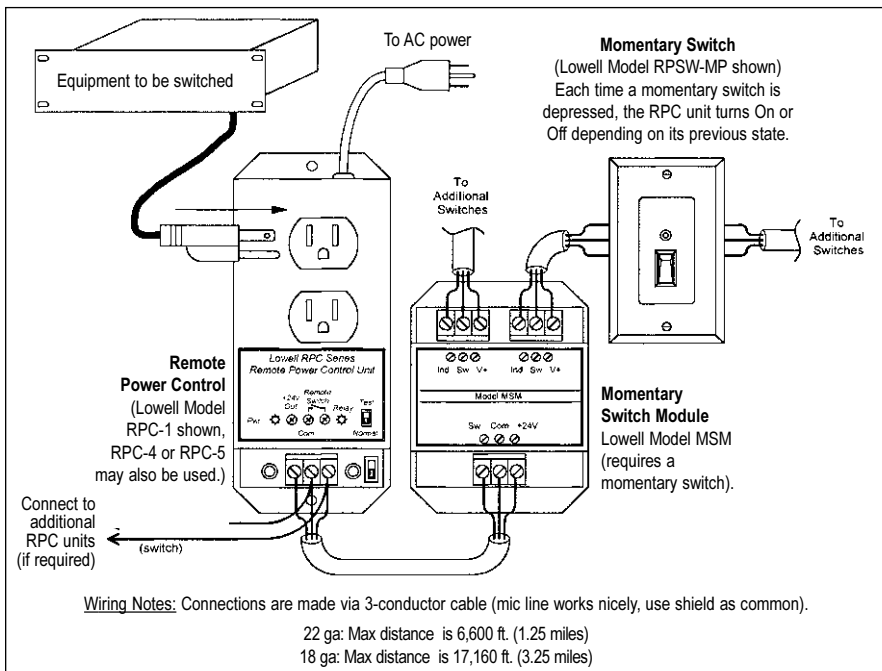
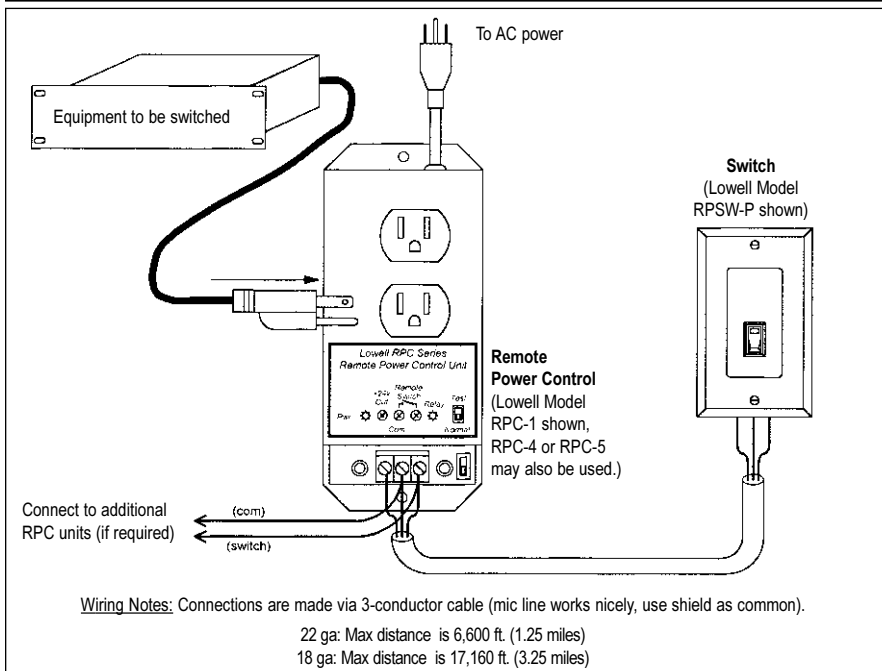
AC Loadcenters (sequenced)

AC Surge Protection / Filtering



Low Voltage Sequencers Accessories

19W Rackmount



Switches - Series RPSW and RPSB
Choose maintained or momentary-style closure, wall plate or rackmount styling, rocker or key switch activation.

Momentary Switch Module Model MSM
(Use with momentary-style switches)

Power control sequencers - Series SCS
Choose 1RU rackmount or chassis style for time-delayed power up and down of equipment.

A & E Specifications

Device for remote AC power control shall be Lowell 15-amp rack panel power control Model _____ (RPC-4-MC, RPC-4-CD). Device shall include four duplex outlets, a power supply, relay, and circuit breaker. Device shall terminate with a _____ (6 foot conduit whip, six foot cord). Series RPC-4 shall measure 19"W x 3.5"H x 2.75"D.

Single Switch Applications:

Remote switching device for single switch applications shall be Lowell wall switch Model _____ (RPSW-P with rocker switch, RPSW-KP with keylock switch) or rack panel switch Model _____ (RPSB-R with rocker switch, RPSB-KR with keylock switch).

Multiple Switch Applications:

To remotely control one or more RPC units, Lowell momentary switch module Model MSM and momentary wall switch Model _____ (RPSW-MP with rocker switch, RPSW-MKP with keylock switch) or momentary rack panel switch Model _____ (RPSB-MR with rocker switch, RPSB-MKR with keylock switch) shall be used.

Lowell accessory devices (order separately)

Switches with Maintained Closure (single switch uses)

RPSW-P	SPST maintained 1LED rkr 1 gang plate
RPSW-KP	SPST maintained 1LED key 1 gang plate
RPSB-R	SPST maintained 1LED rkr 19W x 1RU
RPSB-KR	SPST maintained 1LED key 19W x 1RU

Switches with Momentary Closure (multiple switch uses)

RPSW-MP	SPST mom 1LED rkr 1 gang plate
RPSW-MKP	SPST mom 1LED key 1 gang plate
RPSB-MR	SPST mom 1LED rkr 19W x 1RU
RPSB-MKR	SPST mom 1LED key 19W x 1RU

Momentary Switch Module

MSM	Module for RPC & SCS-4
------------	------------------------

Power Control Sequencers

SCS-4R	4 ch time delay 19W x 1RU
SCS-4	4 ch time delay 7x3.25x1.5
SCS-8R	8 ch time delay 19W x 1RU
SCS-8	8 ch time delay 10x3.25x1.5