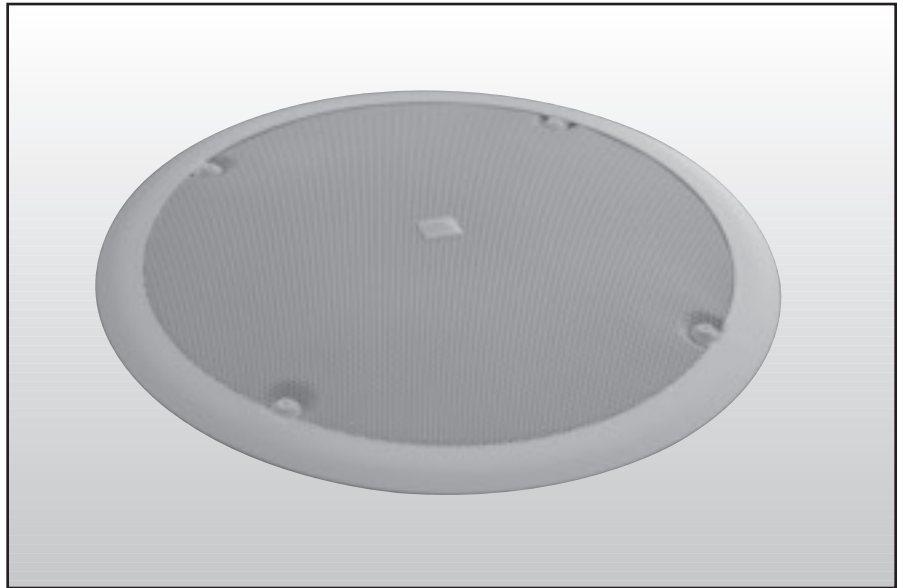


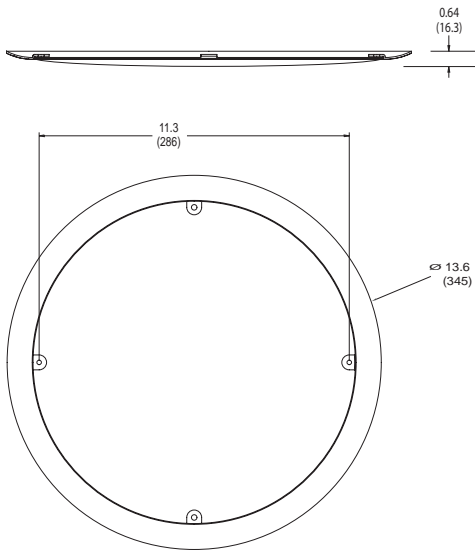
Professional Series

Key Features:

- ▶ Rugged 19 gauge metal construction for enduring reliability.
- ▶ Sculpted design for an elegant appearance and perfect for any decor or architectural setting.
- ▶ Zinc underplating provides a rust and scratch resistant surface for years of maintenance free wear.
- ▶ Powder coat final finish minimizes scratching and can easily be repainted to match any room color.



Dimensions:



Dimensions in inches (mm)

Specifications:

| | |
|------------------------------|---|
| Material: | Zinc plated 19 gauge steel |
| Finish: | Powder coat, satin finish. RAL 9016 (Pantone equivalent 11-0602TPX). |
| Grille Attachment to Baffle: | 4 pcs 4 mm machine screws |
| Fits: | Control 227C, 227CT, 328C, and 328CT |
| Dimensions (Dia x D): | 345 mm (13.6 in) diameter grille x depth of grille 16.4 mm (0.64 in) |
| Net Weight: | .45 kg (1.0 lb) |
| Shipping Weight: | 1.4 kg (3.0 lb) |
| Included Accessories: | 5 pcs 4 mm x 38 mm powder coated machine screws 5 pcs 4 mm powder coated countersunk washers |

JBL continually engages in research related to product improvement. Changes introduced into existing products without notice are an expression of that philosophy.