

# ACE BACKSTAGE CO. STAGE POCKET SYSTEMS

24846 Avenue Rockefeller • Suite 200  
Valencia, CA 91355  
Tel: 661-295-5760 • Fax: 661-295-1122  
Web: [www.acebackstage.com](http://www.acebackstage.com)

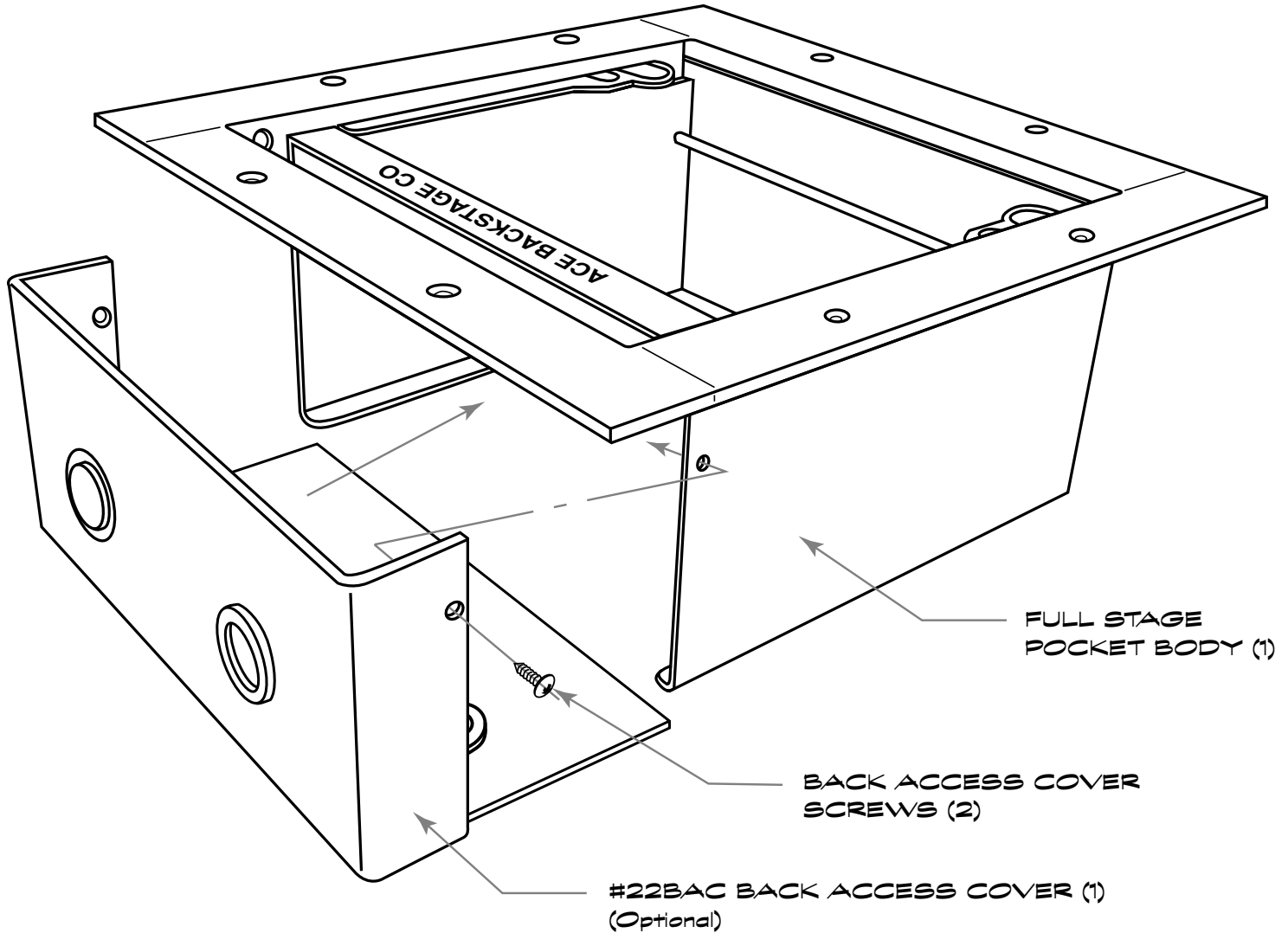
ABC SPECIFICATION SHEET  
PRODUCT: BACK ACCESS COVER  
MODEL NUMBER: #22BAC  
SCALE: n/a  
DATE: 06/24/04  
©2004 ACE BACKSTAGE CO.

\*All images are for reference only. Subject to change without notice.

MODEL NUMBER: #22BAC

MODEL NAME: BACK ACCESS COVER

DESCRIPTION: FULL STAGE POCKET BACK ACCESS COVER



FULL STAGE POCKET WITH #22BAC INSTALLED

