

NEOLITE®

100 WATT
PROFESSIONAL LOUDSPEAKER

S5N-8

NEODYMIUM
FIVE INCH DRIVER

Galaxy Audio introduces the 5-inch driver of the future! Like its predecessor, this speaker is tailored to reproduce a frequency range from 150Hz-18kHz. The magnet of the NEOLITE is manufactured from a material called Neodymium, a rare earth element. Neodymium has an extremely intense magnetic field in comparison to its weight. The NEOLITE is as powerful as the previous 5" driver, yet weighs 1/3 as much. In addition, our NEOLITE driver is shielded. This allows the speaker to be placed near sensitive equipment that may be affected by a strong magnetic field, such as a TV or a computer monitor.

The NEOLITE can handle 100 watts continuous/200 watts max! How is it possible for a speaker this size to handle power like that? A speaker is only as good as its ability to dissipate heat. The NEOLITE has a patented cooling system called SUPER COOL. SUPER COOL is based on three different methods of heat transfer.

1. Conduction

The speaker is ferrofluid cooled. Ferrofluid is a liquid cooling agent in which the voice coil is immersed. This conducts heat away from the voice coil to the surrounding motor structure. The aluminum frame of the NEOLITE helps conduct heat away from the motor.

2. Convection

The NEOLITE employs three venting chambers, which provide air flow caused by cone movement. Designed into the cast aluminum frame are cooling fins and vent holes. These fins and vent holes are strategically placed around the speaker to maximize airflow to help dissipate heat.

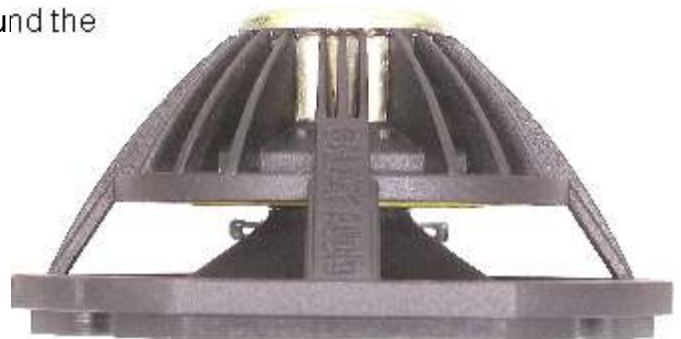
3. Radiation

The aluminum frame is painted black. The black paint helps to radiate heat away from the frame.

The NEOLITE features an edge wound voice coil. An edge wound voice coil increases the efficiency of the speaker as well as produces a better high frequency response. The NEOLITE is truly a unique speaker.

It was designed by our engineering team to be unlike anything available today. We have maintained the same great sound in a much lighter package.

If you are looking to put the NEOLITE in your own cabinet, it can be front or rear mounted in the enclosure. The NEOLITE is a speaker unmatched by any other 5" speaker.



Pat. Pend.

GALAXY AUDIO

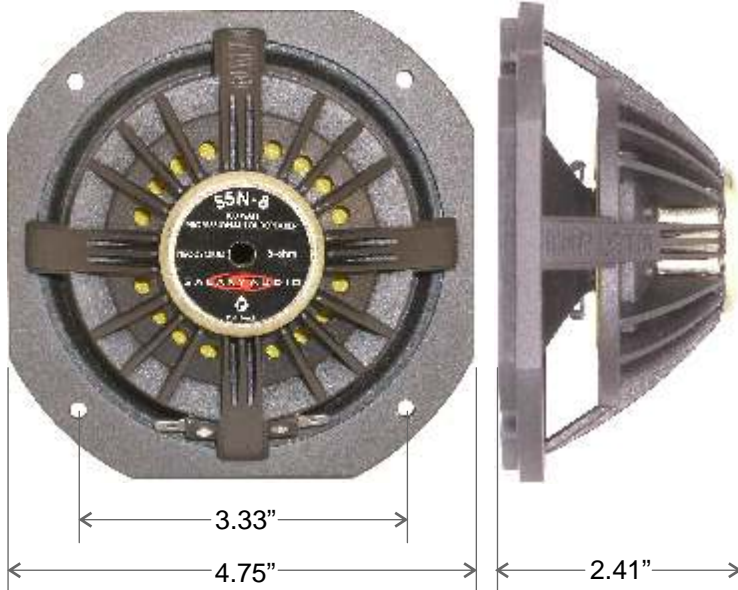
MAKERS OF THE ORIGINAL HOT SPOT PERSONAL MONITOR

NEOLITE®

100 WATT
PROFESSIONAL LOUDSPEAKER

S5N-8

NEODYMIUM
FIVE INCH DRIVER



The Galaxy Audio S5N-8 controlled bandwidth transducer delivers maximum sound levels and unsurpassed durability under the most stringent operating conditions. It features an aluminum frame, 7.4 -ounce neodymium magnet structure, Super Cool cooling technology, underhung voice coil, and linear spider. The one inch voice coil includes a Kapton former. Ferrofluid cooling reduces distortion and power compression while increasing speaker life. The S5N-8 is optimized for use in infinite baffle/acoustic suspension type enclosures. Galaxy's new 5-inch driver retains all the sound characteristics of the original driver without sacrificing sound, power, or reliability.

Galaxy's new 5-inch professional loud speaker was engineered using the light weight metal, NEODYMIUM. In short, this makes the driver weigh 1/3 as much as the original driver designed over 25 years ago.

SPECIFICATIONS

Diameter:	5 inches
Nominal Impedance:	8 ohms (optional 16 ohms available)
Power Capacity:	100 Watts
Sensitivity:	91 dB @ 1 W / 1 m*
Frequency Range:	150 Hz -18 kHz
Minimum Impedance:	7.03 ohms
Voice Coil Diameter:	1 inch
Magnetic Assembly Weight.:	7.4 oz. (.20kg)
Mounting Options:	Front/Rear
Total Weight.:	13.8 oz. (.39 kg)
Polarity:	White = +

THIELE/SMALL PARAMETERS:

F_s	140 Hz
Q_{ts}	0.39
Q_{ms}	.83
Q_{es}	0.72
V_{as}	.079 cu. ft. (2.25 ltr.)



Specifications subject to change without notice.

* +/- 3dB, 1KHz and 2KHz Octave Bands



GALAXY AUDIO

MAKERS OF THE ORIGINAL HOT SPOT PERSONAL MONITOR

601 E. Pawnee Wichita, KS 67211 316.263.2852 FAX 316.263.0642 www.galaxyaudio.com

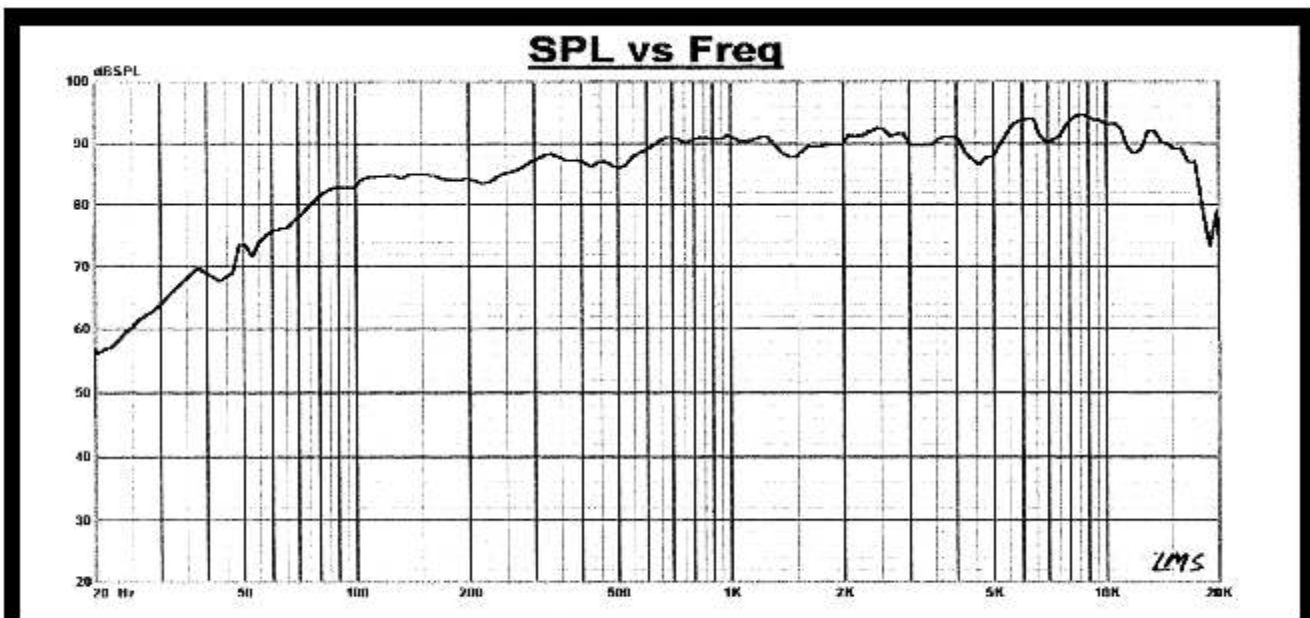
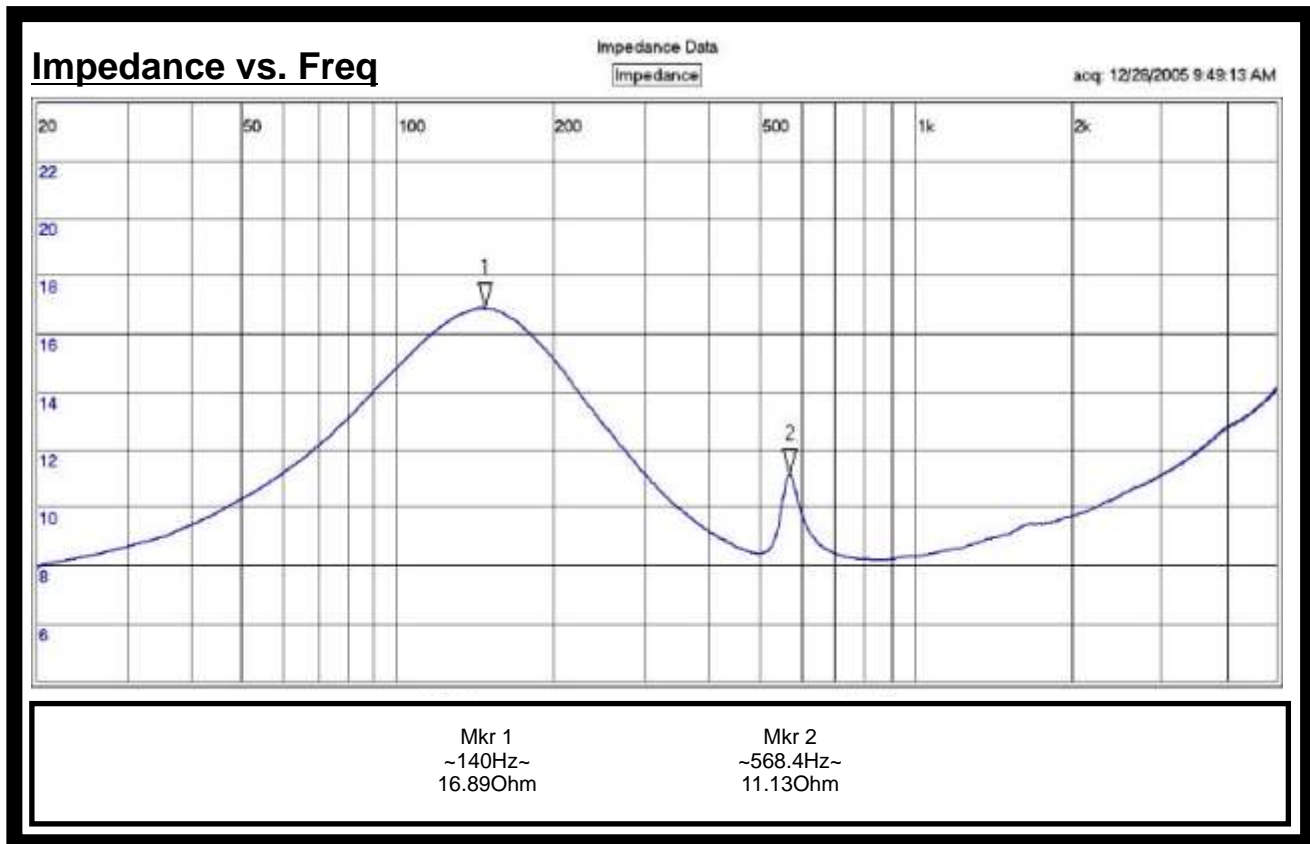
Distributed outside the United States by **E and E Exports, Inc.** 2815 Junipero Ave. Suite 101 Signal Hill, CA 92614
562.988.3447 FAX 562.989.3037

NEOLITE®

100 WATT
PROFESSIONAL LOUDSPEAKER

S5N-8

NEODYMIUM
FIVE INCH DRIVER



Map 36: 2 601 E. Pawnee Wichita, KS 67211 316. 263.2852 FAX 316.263.0642 www.galaxyaudio.com

Notes _____
Data Measured: Nov 29, 2003 Sat, 8:49 am

GALAXY AUDIO
MAKERS OF THE ORIGINAL HOT SPOT PERSONAL MONITOR

NEOLITE[®]

100 WATT
PROFESSIONAL LOUDSPEAKER

S5N-8
S5N-16

NEODYMIUM
FIVE INCH DRIVER

THIELE/SMALL PARAMETERS:

S5N-8 (8-ohm)

Qts	0.39
Qes	0.72
Qms	0.83
Fs	140
Vas	2.37
nO	0.87%
SPL	91.4dB
Sd	5945sqmm



S5N-16 (16ohm)

Qts	0.54
Qes	1.15
Qms	1.01
Fs	139
Vas	2.45
nO	0.59%
SPL	90dB
Sd	5945sqmm

Specifications subject to change without notice.

GALAXY AUDIO

MAKERS OF THE ORIGINAL HOT SPOT PERSONAL MONITOR

601 E. Pawnee Wichita, KS 67211 316. 263.2852 FAX 316.263.0642 www.galaxyaudio.com

Distributed outside the United States by **E and E Exports, Inc.** 2815 Junipero Ave. Suite 101 Signal Hill, CA 92614
562.988.3447 FAX 562.989.3037