



SECTIONAL WALL CABINETS WITH 12", 15", AND 18" DEEP CENTER SECTION

300B Series
320B Series
340B Series



320-21B



340-42B

FEATURES

- Sturdy Wall-Mount Cabinet Protects Equipment and Saves Valuable Floor Space
- Selection Includes Models with 12", 15", and 18"D Center Mounting Sections
- Reinforced Frame Flanges, Plus Corner-Brace Structural Supports and Electric-Welded Seams & Miters Provide Stability for Mounted Equipment
- Punched Vents Assure Heat Dissipation
- Wire Management Provisions Allow Organized Wire Access
- Adjustable Mounting Rails Provide Flexibility
- Choice of Standard Solid, Optional Plexiglass, or Optional Vented Door Styles Meet Application Needs

APPLICATIONS

The 300B, 320B and 340B Series cabinets have been engineered to provide full functional and mechanical flexibility for wall-mounting standard 19" wide rack equipment. Sectional assemblies may be installed to accommodate right or left-hand hinging applications, and are ideal for use in areas with limited floor space or "protected" access requirements. Units are commonly used to house electronic switching, monitoring, sound and communication controls in school auditoriums, health care facilities, presentation/conference centers, manufacturing facilities, laboratories, public buildings, and recreational complexes. They can also be used to house computer control equipment, studio electronics, and building management/security systems in commercial, industrial, institutional, and military applications.

GENERAL DESCRIPTION

Series 300B, 320B and 340B Series wall cabinets are distinguished by center-section depths of 12", 15", and 18", respectively. Basic model includes three, 16-gauge CRS sections which include a 2" deep, solid-steel front door, a 12", 15", or 18"D center section with adjustable mounting rails, and a 4½"D rear door. Panel space openings range from 12¼" to 61¾". Enclosures are equipped with convenient and useful provisions for custom cabinet mounting, wire management, equipment mounting, and structural support. (See page 2 for detailed information.) Cabinet is finished in #962 black epoxy.

W/DOOR	W/O DOOR	PANEL OPENING*	RACK UNIT	CABINET O.D.		SECTION DEPTH**		OPTIONAL DOOR***	
				WIDTH	HEIGHT	REAR	CENTER	4" Deep	2" Deep †
12" CTR. MODELS				20%"	15¼"	4½"	12"	—	302-12SD
300-12B	N/A	12¾"	7					304-17B	302-17(SD)(P)(V)
300-17B	300-17LDB	17%"	10					304-21B	302-21(SD)(P)(V)
300-21B	300-21LDB	21¾"	12					304-28B	302-28(SD)(P)(V)
300-28B	300-28LDB	28%"	16					304-42B	302-42(SD)(P)(V)
300-42B	300-42LDB	42¾"	24					304-61B	302-61(SD)(P)(V)
300-61B	300-61LDB	61¾"	35						
15" CTR. MODELS				20%"	20½"	4½"	15"	304-17B	302-17(P)(V)
320-17B	320-17LDB	17%"	10					304-21B	302-21(P)(V)
320-21B	320-21LDB	21¾"	12					304-28B	302-28(P)(V)
320-28B	320-28LDB	28%"	16					304-42B	302-42(P)(V)
320-42B	320-42LDB	42¾"	24					304-61B	302-61(P)(V)
320-61B	320-61LDB	61¾"	35						
18" CTR. MODELS				20%"	20½"	4½"	18"	304-17B	302-17(P)(V)
340-17B	340-17LDB	17%"	10					304-21B	302-21(P)(V)
340-21B	340-21LDB	21¾"	12					304-28B	302-28(P)(V)
340-28B	340-28LDB	28%"	16					304-42B	302-42(P)(V)
340-42B	340-42LDB	42¾"	24					304-61B	302-61(P)(V)
340-61B	340-61LDB	61¾"	35						

* Listed panel opening allows ¼" clearance at top and bottom (½" total).
† Suffix model with P (plexiglass) or V (vented steel).

** Non-LDB Models include a 2" deep steel front door

*** Mounts LDB Series only.

Specifications subject to change without notice



1601 JACK MCKAY BLVD. / ENNIS, TEXAS 75119 U.S.A. / TELEPHONE: (800) 876-3333 / FAX (800) 765-3435

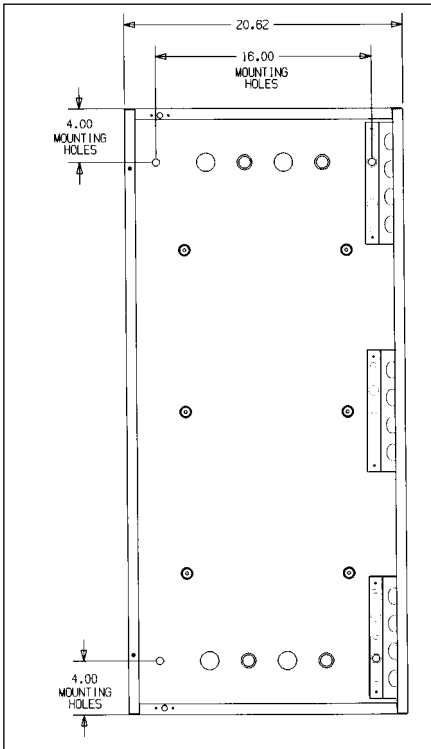


Fig. 1: Rear Section Mounting Holes & Knockouts
(Note: -61 Models have 8 mounting holes)

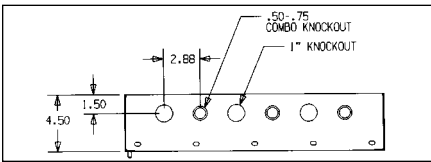


Fig. 2: Rear Section Top & Bottom Flange Conduit Knockout Array

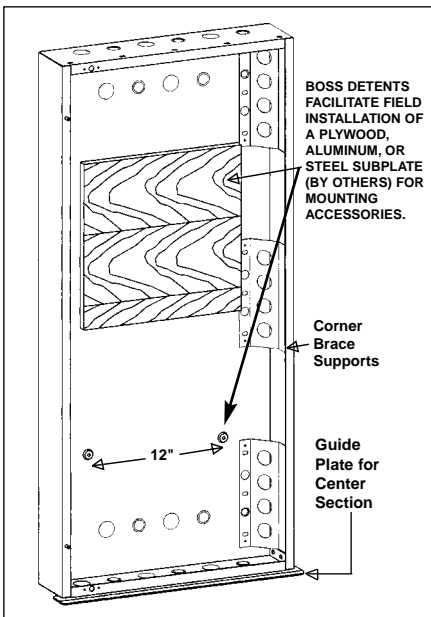


Fig. 3: Rear Section Featuring Optional Subplate (by others) and Guide Plate

Mounting Provisions

Mounting holes located on the back panel of the rear door, enable the pre-assembled cabinet to be easily secured to a wall, post, support, or other surfaces for elevated applications. (See Fig. 1) These convenient cabinets are designed for right-hand hinging applications, but assemblies can be inverted 180° to facilitate left-hand hinging. Rear section hinges are bolted, not welded, to ensure easy retrofit capability. The removable pin-type hinges holding the center and rear sections together facilitate independent pre-installation of the rear section. This feature also permits efficient surface or recess installation. Models with panel heights of 12¼", 17½", and 21½" have two hinges; while 28½", 42½", and 61½" panel space cabinets each have three hinges.

Equipment Mounting & Wiring

All Models include one pair of 11-ga. adjustable front-to-rear mounting rails which are tapped 10-32, and manufactured to standard E.I.A. ½"-¾"-1½" spacing. Models with panel space openings of 28½", 42½", and 61½" are equipped with center section mounting rail supports (1 per side) which have slotted cutouts for infinite adjustment of mounting rails and open raceways for containing vertically run wire and cable. Smaller models do not require mounting rail supports. Corner brace supports, which straddle the back and side panel of the rear section (hinge side), also feature round (1¼" dia.) wire access holes for harnessing excess wire. The back panel of the rear section is equipped with ¼" D boss detents which give contractors field flexibility to screw-mount a plywood, aluminum, or steel subplate (by others) for mounting accessories, such as transformers, power strips, and phone relay systems inside the cabinet. Boss detents are on 12" centers and vary depending upon model height (17½", 21½", 28½" panel space models have four detents, 42½" panel space models have six detents and 61½" panel space models have eight detents.) (See Fig. 2) Note: Model 300-12 does not have provisions for mounting subplate.

Conduit Knockouts

All Series models have 20 conduit knockouts on the rear section, with the exception of the 300-12B which has 16. Conduit arrays are located at the top and bottom of the back panel (except 300-12B which has a centered array), as well as on the top and bottom back flanges. Panel arrays consist of four knockouts: two 1" (25mm) standard, and two, ½" (13mm) / ¾" (19mm) concentric. Top and bottom flange arrays are comprised of six knockouts: three, 1" (25mm) standard, and three, ½" (13mm) / ¾" (19mm) (See Fig. 2).

Ventilation

Stamped perforated vents, located on both sides (top and bottom) of the center section, provide maximum ventilation for rack-mounted electronics. (Four vent patterns per side on 300B Series, eight per side on 320B & 340B Series).

Structural Support

Series 300B, 320B and 340B cabinets offer exceptional structural support. The units' one-piece front and rear sections are strengthened with frame flanges on bottom, top, and sides. Center sections also have "L"-shaped gussets (brackets) which are plug-welded, joining bottom and top panels to side panels. Series 300B, 320B, and 340B have a total of 8, 12, and 16 brackets, respectively. Rear sections have corner brace supports which bridge the back and side panel (hinge side) giving the back (mounted) panel extra reinforcement for tension relief. (See Fig. 3) Units also have electric-welded seams and miters which bolster the cabinets' overall bonding. The center section offers maximum reinforcement provisions, such as a uniquely designed center section guide plate that reduces potential sagging by distributing cabinet and equipment weight to rear section. The 11-ga., 1-7/8" W guide plate, which mounts to the rear section's bottom flange, provides a ¾" lip which gives added support to the center section when the cabinet is open or closed. The plate also ensures that an equipment-weighted center section will close properly, by "guiding" alignment pins into respective holes.

Standard Door

Series 300B, 320B and 340B cabinets include a 2" (51mm) deep, steel front door equipped with a cylinder lock. All models, with the exception of the 300-12, can be ordered without a front door (LDB Series). LDB Series Models will accommodate optional door Series 302(V)(P)(SD) or 304 (see optional accessories).

Specifications subject to change without notice



1601 JACK MCKAY BLVD. / ENNIS, TEXAS 75119 U.S.A. / TELEPHONE: (800) 876-3333 / FAX (800) 765-3435

OPTIONAL ACCESSORIES

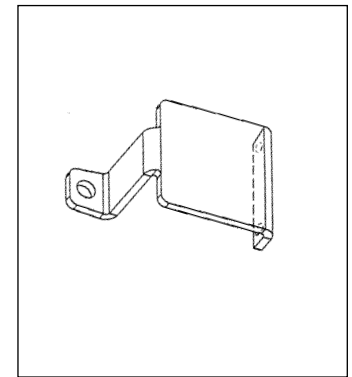
302/304B Series Doors. Optional Series 302 and 304B front doors are offered in depths of 2" and 4", respectively, and will accommodate Series 300LDB, 320LDB, and 340LDB cabinets. Series 302 doors are available with a steel frame and a plexiglass front (P), vented steel (V) front, or solid steel front (SD). Plexiglass models are ideal for applications where equipment operation must be monitored, but secured. Vented steel doors are designed to dissipate heat. Solid door are ideal for situations where internal components are to be out-of-sight to deter tampering. Extra-depth 304 Series doors provide added clearance for equipment with full-grip handles and protruding knobs. Series 304 doors are particularly useful when rails are adjusted in the far-forward position to accommodate extra-depth equipment.

OPTIONAL FRONT DOORS FOR SERIES 300B, 320B, AND 340B CABINETS					
2"D MODEL		4"D MODEL		HEIGHT	MOUNTS CABINET MODEL(S)
SOLID / VENTED	PLEX	SOLID STEEL			
302-12SD / NA	-	-		15 1/2"	302-12B
302-17SD / 302-17V	302-17P	304-17B		20 1/2"	300-17LDB, 320-17LDB, 340-17LDB
302-21SD / 302-21V	302-21P	304-21B		24"	300-21LDB, 320-21LDB, 340-21LDB
302-28SD / 302-28V	302-28P	304-28B		31"	300-28LDB, 320-28LDB, 340-28LDB
302-42SD / 302-42V	302-42P	304-42B		45"	300-42LDB, 320-42LDB, 340-42LDB
302-61SD / 302-61V	302-61P	304-61B		64 1/4"	300-61LDB, 320-61LDB, 340-61LDB

CT31A. This optional heavy-duty caster support reduces the load bearing requirements of the wall by supporting the center section weight when opened and closed (typically used on 61" panel space models). Cabinet must be mounted 6" from the ground. Support is constructed of formed, 14-ga. CRS and includes heavy-duty, zinc-plated caster with a black, hard-tread wheel. The caster adjusts in height from 5 1/2" to 7 1/2" and is supplied with drilling template for easy installation. Finished in black. *(Note: Before installing the CT31A, the center section guide plate must be removed.) (Only one CT31A required per cabinet)*



CT31A

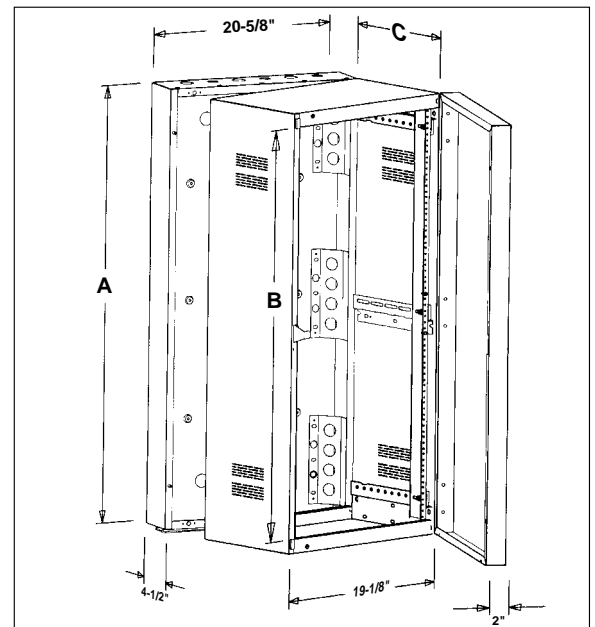


EJL-2

EJL-2. Replacement latch-bracket is designed for security applications and features a standard size hole to accommodate customer-supplied 1/4" padlock. Bracket is constructed of 11-ga. CRS and mounts into existing latch holes after standard cylinder lock is removed.

SERIES 300B, 320B, AND 340B OUTSIDE DIMENSIONS				
MODEL*	A	B	C	
300-12B	15 1/4" (387mm)	12 1/4" (311mm)		
300-17B	20 1/2" (520mm)	17 1/2" (448mm)	12" (304mm) for 300 Series	
340-17B				
300-21B	24" (610mm)	21 1/2" (536mm)		15" (381mm) for 320 Series
320-21B				
340-21B				18" (457mm) for 340 Series
300-28B	31" (787mm)	28 1/2" (714mm)		
340-28B				
300-42B	45" (1143mm)	42 1/2" (1070mm)		
320-42B				
340-42B				
300-61B	64 1/4" (1632mm)	61 3/8" (1559mm)		
320-61B				
340-61B				

* LDB Series share the same dimensional characteristics, but do not have an attached 2" deep steel front door.



Specifications subject to change without notice



1601 JACK MCKAY BLVD. / ENNIS, TEXAS 75119 U.S.A. / TELEPHONE: (800) 876-3333 / FAX (800) 765-3435

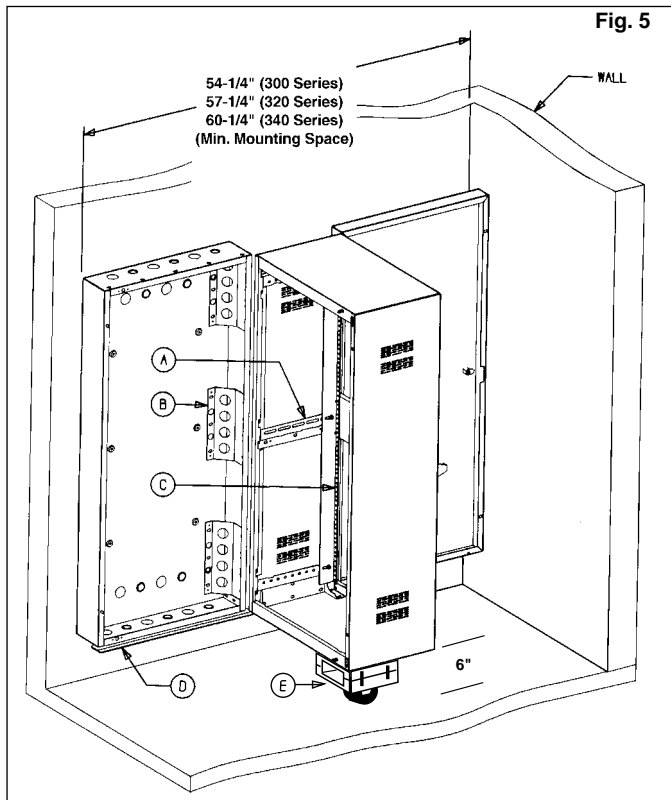
ARCHITECT AND ENGINEER SPECIFICATIONS

The sectional wall mounting cabinet shall be Atlas Sound Model _____ (suffix Model with "LDB" for cabinet less front door). It shall be constructed of 16-gauge CRS throughout. Hinges shall be bolted, not welded. All sections shall be of one-piece construction with electric-welded seams and miters. Cabinet shall have provisions which allow the unit to be inverted for accommodating left-hand hinging applications. Rear section shall have concentric 1/2" (13mm) and 3/4" (19mm) knockouts on the top and bottom surface panel, as well as the flange panels at the top and bottom of the rear panel. Center section shall be secured with screw-type locking rods and alignment pins. The center section shall be equipped with adjustable, front-to-rear mounting rails tapped with 10-32 holes on E.I.A. 19" spacing. Units

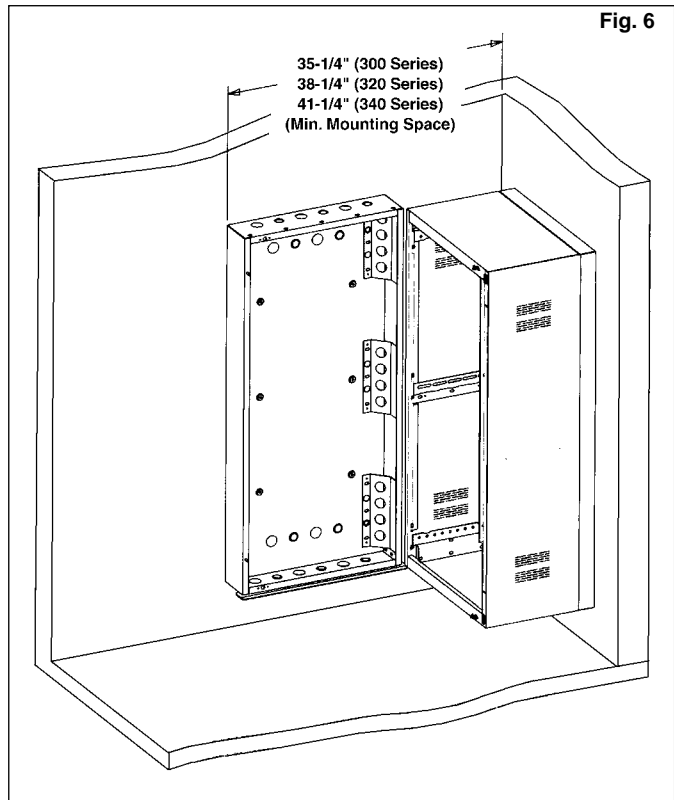
shall have slotted rail supports for mounting rail adjustment and wire management purposes. Standard front door shall be 2" (51mm) deep, and constructed of one-piece 16-ga. CRS, with perforation vents and cylinder lock. Optional 4" deep vented steel front door shall be Atlas Sound Model _____ (304B Series). Optional 2" deep front door shall be vented steel Model _____ (302V Series), plexiglass Model _____ (302P Series) or solid steel Model _____ (302SD) Series. Optional caster support shall be _____ (Model CT31A). Optional replacement latch shall be _____ (Model E JL-2).

INSTALLATION

Minimum mounting space required to facilitate opening center section 90° with front door open.



Minimum mounting space required to facilitate opening center section 90° with front door closed.



- A) Mounting Rail Supports**
- B) Corner Brace Supports**
- C) Adjustable Front-to-Back Mounting Rails
(Standard E.I.A. Spacing)**
- D) Center Section Guide Plate**
- E) Optional Model CT31A Caster Support
(Requires the cabinet to be mounted 6" from the floor.)**

Installation Placement Considerations

- Determine Left/Right Swing Distance to Adjacent Walls
- Decide if optional caster support Model CT31A will be used to reduce wall load-bearing requirements (recommended on 61" and some 42" panel space cabinet installations). If the caster will be used, cabinet must be mounted 6" from the floor.

Specifications subject to change without notice



1601 JACK MCKAY BLVD. / ENNIS, TEXAS 75119 U.S.A. / TELEPHONE: (800) 876-3333 / FAX (800) 765-3435