

**Description**

Lowell grille Model JG-8X is an attractive, beveled edge steel grille with a fine perforated center and a separate speaker-to-backbox adapter plate. The square grille and adapter are designed to mount 8" speaker drivers to a wide selection of Lowell recessed and surface backboxes (see chart below and pictures on page 2)

Model JG-8X grille is 12.375" square and features a 21-gauge beveled frame with a radius corner cutout and a welded 22-gauge perforated steel screen. The grille is finished in Lowell's white powder epoxy paint for long lasting quality appearance. Also included is an adapter plate that is fabricated from 21-gauge steel and finished in black powder epoxy paint. The adapter includes corrosion-resistant 8-32 hardware to mount an EIA 8" driver. The speaker/adaptor assembly is engineered to direct mount companion backboxes noted in the chart below using 8-32 x 1.5" screws provided. The direct mount installation method allows a high quality 8" driver with substantial motor structure weight to be supported by the backbox instead of the grille. The non load-bearing JG-8X grille then mounts using four 8-32 x 0.375" white screws. See page 2 for detailed backbox and channel rail information.

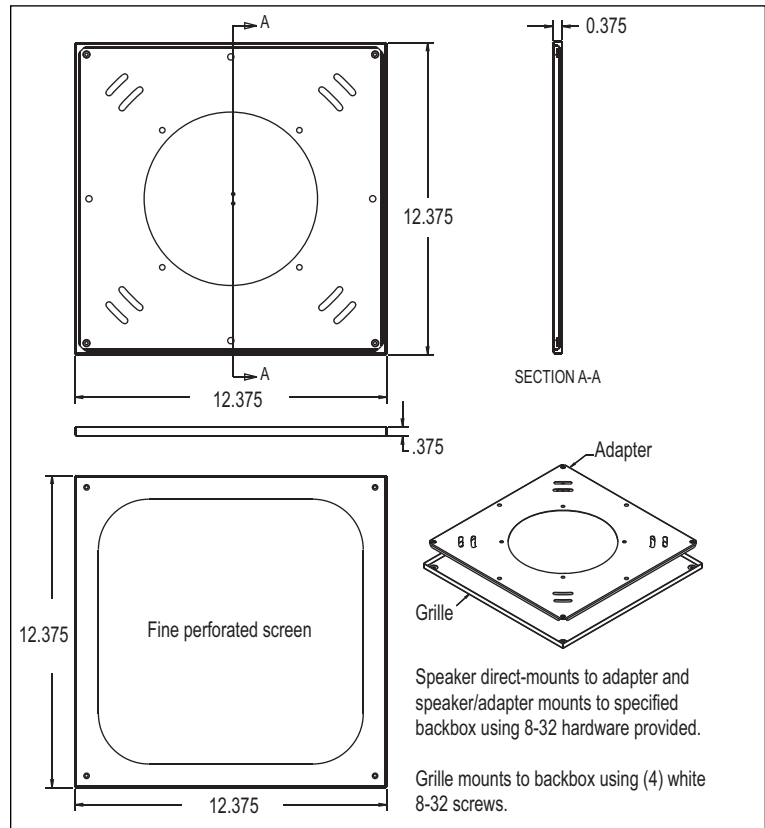
Lowell offers a wide selection of 8" speaker drivers with optional 70V or 25V transformer for distributed voice paging and music. Popular 8" drivers include Model 805 (12W dual cone), 810 (15W dual cone), 8C10MR (15W moisture resistant), CT830 (20W coaxial), CT8320 (25W coaxial), and 8A50 (50W coaxial).

**A & E Specifications**

The grille for 8" speaker drivers shall be Lowell Model JG-8X. It shall be 18-gauge steel with a beveled edge, radius corner cutout and welded perforated screen center. The grille shall include a 21-gauge steel adapter plate and mounting hardware. The grille shall be 12.375" SQ with a mounting projection of 0.375". The adapter plate shall include provisions for mounting an 8" driver and for mounting the speaker/adaptor assembly to Lowell recessed backbox Model \_\_\_\_\_(DX198, P68X, P68X-6, P68X-10, P875X, P875X-4, P875X-6) or surface backbox Model \_\_\_\_\_(CB84, CB88). The adapter shall be finished in black powder epoxy. The grille shall be finished in white powder epoxy and shall mount to the specified backbox using four 8-32 x .375" white screws.



**JG-8X**  
Steel grille with adapter plate for screw mounting a 8" speakers



**Grille Specifications and Companion Mounting Accessories** (order separately)

Grille Model	Speaker Size*	Grille Size	Mounting Provisions	Material	Color	Backbox Choices (Choose one, plus rails if required)	+	T-bridge or Rails (if required for suspended ceilings)
JG-8X	8"	12.375" Sq.	4 Screws, Adapter w 4 screws	Steel	White	DX198 .....		SS Series rails
						P68X, P68X-6, P68X-10, P875X, P875X-4, P875X-6 .....		SS Series or LBS8
						CB84 (surface mount), CB88 (surface mount) .....		N.A.
						No backbox desired .....		LBS8

\*Lowell offers a wide selection of 8" speakers with factory wired 70V or 25V transformers - see list in the Description paragraph or get specifications on the website.



**JG-8X**

Steel Grille with Screw-mount Installation for 8" Speakers

**A  
U  
D  
I  
O**

**Companion mounting accessories for grille Model JG-8X** (order separately)



**DX198**



**P68X**



**P875X-6**



**CB84**

(shown with JG-8X grille)



**CB88**

(shown with JG-8X grille)

**Backbox Details** (Choose one backbox plus rails if required)

Model	Size	Features	Mounts Speaker	Mounts Grille
<b>Recessed</b>				
DX198	15"SQ x 15"D	1 cu.ft., Extended lip, 1.5" thick batting		
P68X	10"Sq. x 4"D	Standard	8"	JG-8X
P68X-6	10"Sq. x 6"D	Extra depth		
P68X-10	10"Sq. x 10"D	Extra depth		
P875X	8.75"Sq. x 3.625"D	Minimal depth		
P875X-4	8.75"Sq. x 4"D	Standard depth		
P875X-6	8.75"Sq. x 6"D	Extra depth		
<b>Surface</b>				
CB84	12.25"SQ x 4"D	Surface mount, white, 1.5" thick batting	8"	JG-8X
CB88	12.625"SQ x 7.875"D	Surface mount, white, 1.5" thick batting	8"	JG-8X

**12"/10"**  
Speakers & Accessories

**8"**  
Speakers & Accessories

**6"**  
Speakers & Accessories

**4"**  
Speakers & Accessories

**Horn**  
Speakers & Accessories

**Masking**  
Speakers & Generators

**Control**  
Accessories & Electronics

**Tile Bridge Details** (use tile bridge or rails if required for suspended ceiling)

Model	Size	Features
LBS8	23.75"L	8.5"SQ opening with screw or Twist n' Lock backbox mounting



**LBS8**



**SS Series**

**Channel Rail Details** (use tile bridge or rails if required for suspended ceiling)

Model	Size
SS-24	23.75"L
SS-30	30"L
SS-48	47.75"L

Grilles - Ceiling / Wall