



Middle Atlantic Products, Inc.®

middleatlantic.com

D, DC and TD Series Drawers

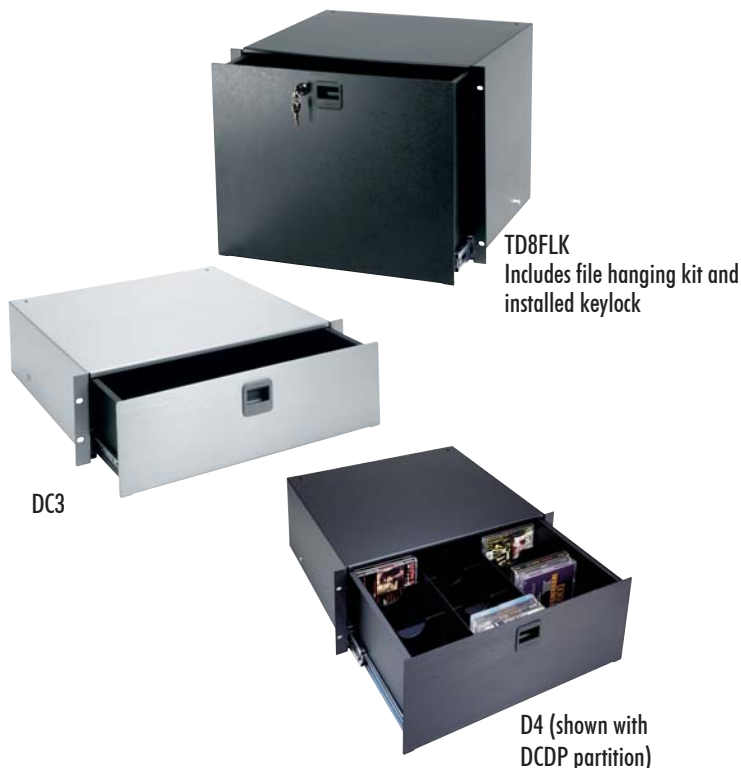
EIA/TIA Compliant

UL LISTED

D, DC and TD Series Drawers

Features

- Full extension ball bearing slides extend 14"
- Attractive flush spring latch to keep drawer closed
- Keylock option for security, factory-installed
- Rear grommet for cable entry and protection on 2, 3 and 4 space models
- No-slip drawer mat keeps equipment safe in 2, 3 and 4 space models
- Inside dimensions 15-7/8" wide x 14" deep
- Storage height is 1/2" less than overall height
- Choice of three finishes: black brushed and anodized, silver brushed and anodized, black textured powder coat
- Five sizes available
- UL Listed in the US and Canada



TD8FLK
Includes file hanging kit and installed keylock

DC3

D4 (shown with
DCDP partition)

Architects' and Engineers' Specifications

EIA compliant 19" rackmount drawer shall be Middle Atlantic Products model # DX, DCX, or TDX (X = # of rackspace required, refer to chart). Drawer shall have an overall height of ___" (refer to chart), and useable depth of 14-1/2". Drawer base shall be 20-gauge steel, top and sides shall be 16-gauge steel. Drawer faceplate shall be .090" thick aluminum with a ___ (black brushed & anodized, silver brushed & anodized, or black textured powder coat) finish (refer to chart). Drawer shall use full extension, ball bearing slides. Grommet shall be provided for safely passing cables through the cable entry point at the rear of the drawer on 2, 3 and 4 space models. 2, 3 and 4 space drawers shall include a no-slip drawer mat. Drawer shall be warranted to be free from defects in materials or workmanship under normal use and conditions for a period of three years. Drawer shall be UL Listed in the US and Canada.

OPTIONS

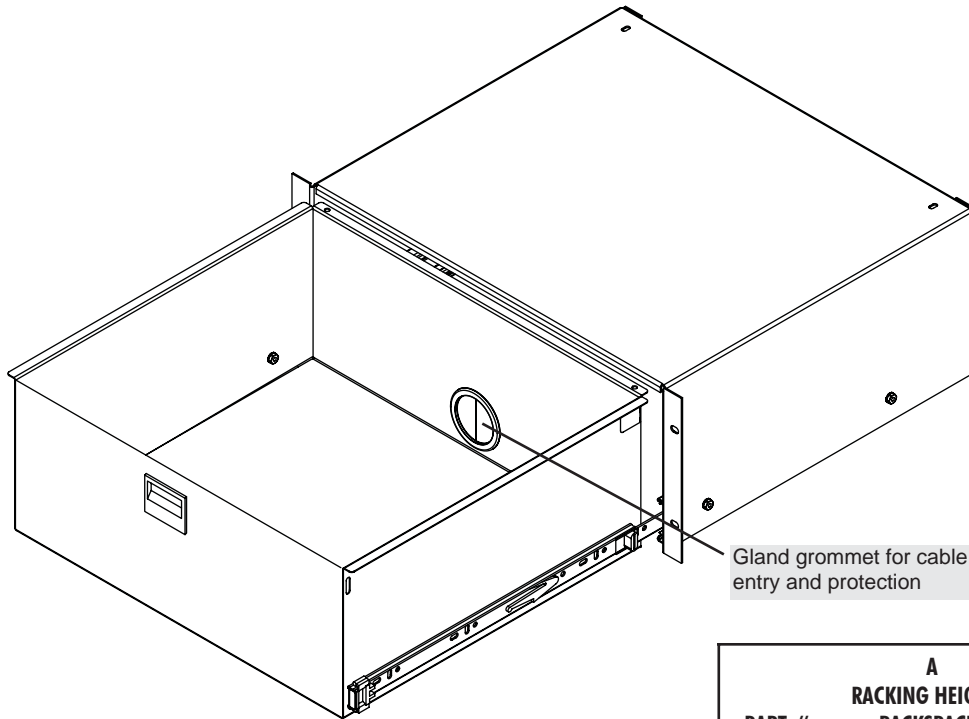
- | PART # | FITS: | ACCOMMODATES: |
|--------|--------------|---|
| DCDP | D4, DC4, TD4 | 103 Compact Discs |
| DVDP | D4, DC4, TD4 | 40 DVDs; PS3, Xbox 360™, Wii™ games; Blu-ray, HD-DVD, DVD-Audio media |
| DVHSP | D3, DC3, TD3 | 24 VHS Tapes |
- Keylock option - add a keylock to any D or TD drawer, model # LK
 - Pick-and-pluck foam insert keeps tools and equipment in place and safe from damage. Available for 2, 3 and 4 space drawers, model # FI-2, FI-3 and FI-4

customizable specification clips available at middleatlantic.com

Engineered Mounting Solutions

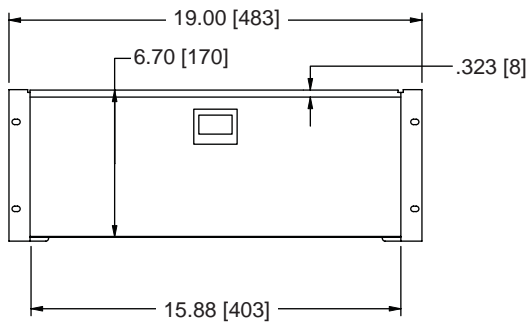
US: New Jersey • California • Illinois • Voice: 973-839-1011 Fax: 973-839-1976 • middleatlantic.com
Canada: Ontario • British Columbia • Voice: 613-836-2501 Fax: 613-836-2690 • middleatlantic.ca

D, DC and TD Series basic dimensions

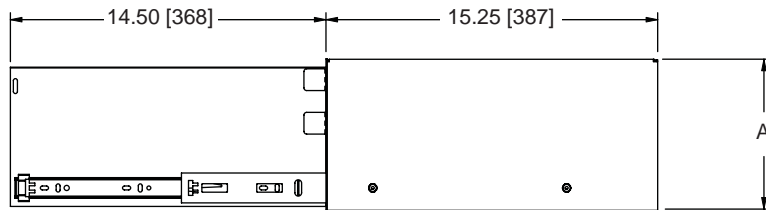


Gland grommet for cable entry and protection

FRONT VIEW



SIDE VIEW



PART #	A		FINISH
	RACKING HEIGHT /	RACKSPACES	
D2	3.50 [89] / 2 SP		BLACK BRUSHED & ANODIZED
D3	5.25 [133] / 3 SP		
D4	7.00 [178] / 4 SP		
D5	8.75 [222] / 5 SP		
DC2	3.50 [89] / 2 SP		SILVER BRUSHED & ANODIZED
DC3	5.25 [133] / 3 SP		
DC4	7.00 [178] / 4 SP		
TD2	3.50 [89] / 2 SP		BLACK TEXTURED POWDER COAT
TD3	5.25 [133] / 3 SP		
TD4	7.00 [178] / 4 SP		
TD5	8.75 [222] / 5 SP		
TD8FLK*	14.00 [356] / 8 SP		

* includes file hanging kit and installed keylock

All dimensions in inches unless otherwise noted [All dimensions in brackets are millimeters]

