

## Description

Lowell backbox Model P625X is designed for recessed installation of 4" speaker systems into ceilings or walls. Companion grille Model SG-4 provides an attractive finished installation for applications where square grilles are preferred (order separately).

Model P625X measures 6.25" square x 4"D. It is precision formed and welded 20-gauge steel. Each side is equipped with 1/2" - 3/4" compound knockouts for conduit. Additionally, two sides include parallel slots 1"L to facilitate depth adjustment in areas where the ceiling/wall surface varies in material, depth, or evenness. Slots may also be used for attaching channel rails (order separately) in suspended tile ceilings. Each corner features a mounting tab with 8-32 screw retaining U-clip for grille installation. The backbox is coated with a metal deadener to eliminate acoustic and mechanical resonance. The finish is Lowell's durable black powder epoxy.

Model P625X is engineered to mount Lowell architectural grille Model SG-4 (order separately - see details on page 2). Grille is finished in Lowell's durable white powder epoxy and includes hardware to mount a standard 4" speaker (order separately).

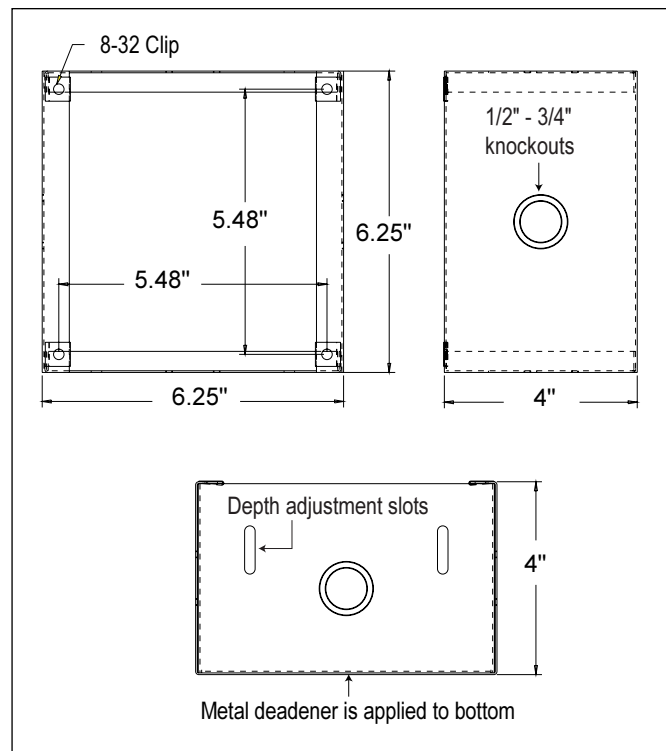
*Lowell offers a selection of 4" speaker drivers with optional 70V or 25V transformer for distributed music and voice paging. Popular 4" drivers include Model 4A30 (30W coaxial - 1.75 lbs w/o xfmr) and JR410 (15W high compliance cone - 1.7 lbs w/o xfmr).*

## A & E Specifications

The backbox for recessed installation of 4" speaker drivers shall be Lowell Model P625X. The backbox shall measure 6.25" Sq x 4"D. It shall be formed from 20-gauge steel, welded and finished in black powder epoxy paint. It shall be undercoated with a metal deadener. It shall feature 1/2" - 3/4" knockouts for conduit on four sides and slots for depth adjustment on two sides. It shall include grille mounting tabs with 8-32 U-clips for grille installation. The backbox shall accept companion grille Model SG-4. It shall accept driver Model \_\_\_\_\_ (4A30, JR410).



P625X recessed backbox for 4" speakers



P625X dimensions

### Backbox Specifications

Model	Description	Dimensions	Mounts Speaker* (order separately)	Mounts Grille (order separately)
P625X	Recessed backbox - 20ga. steel	6.25" SQ x 4"D	4"	SG-4

\*Lowell offers a selection of 4" speakers with factory wired 70V or 25V transformers - see list in the Description paragraph or get specifications on the website.

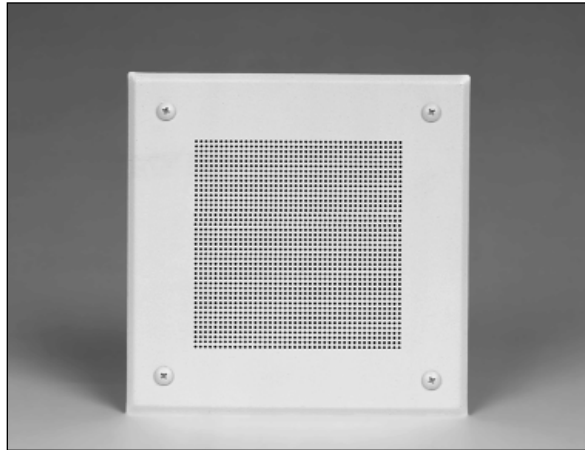


**P625X**

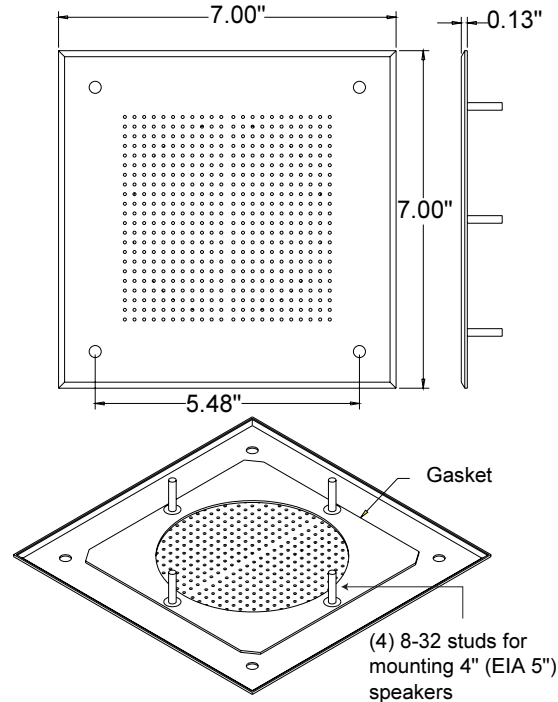
Recessed Backbox for 4" Speakers and SG-4 Square Grille

**A  
U  
D  
I  
O**

**Companion Accessories for Backbox Model P625X**



**SG-4**  
Steel grille for screw-mount installation



**12"/10"**  
Speakers & Accessories

**8"**  
Speakers & Accessories

**6"**  
Speakers & Accessories

  
**4"**  
Speakers & Accessories

**Grille Specifications and Companion Mounting Accessories** (order separately)

Grille Model	Speaker Size*	Grille Size	Mounting Provisions	Material	Color	Backbox or Mtg. Ring Choices (Choose one, plus tile bridge or rails if required.)	Channel Rails (if required for suspended ceilings)
<b>SG-4</b>	4"	7"SQ	4 studs, 4 screws	Steel	White	P625X .....	SS Series rails

\*Lowell offers a selection of 4" speakers with factory wired 70V or 25V transformers - see list in the Description paragraph or get specifications on the website.

**Horn**  
Speakers & Accessories

**Masking**  
Speakers & Generators

**Control**  
Accessories & Electronics



SS Series

**Channel Rail Details** (order separately)

<b>SS24</b>	23.75"L channel rail pair
<b>SS30</b>	30"L channel rail pair

**Backboxes - Recessed**