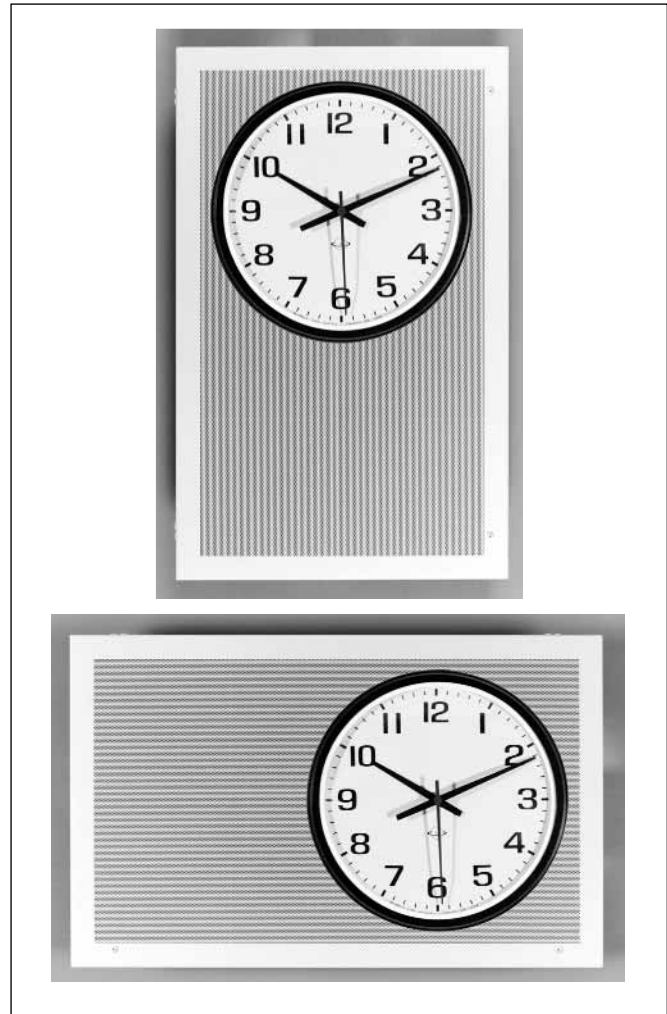


Description

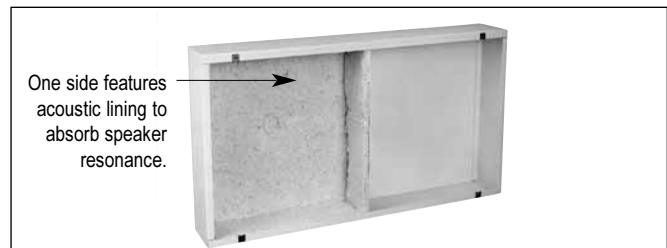
Lowell combination speaker-clock grille Model AP700 and surface backbox Model PC712 provide an architecturally pleasing solution for surface horizontal or vertical installation of a paging speaker and clock in school classrooms, sports/recreation facilities, and medical or professional buildings of all kinds. Dual function speaker and clock mounting solution is a practical approach that affords reduced fixture and labor costs while providing a clean architectural appearance. Model AP700 grille features a universal clock mounting bracket for problem free installation of virtually any 12" analog clock (by others) and welded speaker mounting studs for installation of a standard 8" speaker driver (order separately). Lowell offers a wide selection of drivers with optional 70V or 25V transformer for distributed voice paging and music with clear intelligibility. Frequently ordered models for speaker-clock grille use include driver Model 805 (12W dual cone), 810 (15W dual cone), or CT830 (20W coaxial).

Grille Model AP700 is designed for surface installation to backbox Model PC712. For a recessed version, use grille Model AP300 and backbox Model PC312. This attractive grille is a two piece grille/subplate assembly. The grille is formed from a single piece of 18-gauge steel with a fine perforated face and integral frame border. The subplate features a clock cutout on one side and a speaker cutout on the other with provisions and hardware for attaching the universal clock mounting bracket in horizontal or vertical orientation. Additionally, the subplate features welded studs for installing an 8" speaker driver. The subplate mounts to the grille (after clock bracket and driver installation) using four screws. The grille/subplate assembly then mounts to surface backbox Model PC712 using hinges and screws for easy service access with security. Overall dimensions of grille Model AP700 are 26"L x 14.5"W. The subplate is finished in black powder epoxy and the grille is finished in white powder epoxy for attractive and durable performance.

Surface Backbox Model PC712 is designed for surface installation of speaker-clock grille Model AP700. It is formed from 20 gauge steel and measures 26"L x 14.5"W x 4"D with a divider between the clock and speaker mounting sections. Design features compound knockouts for 1/2" - 3/4" conduit on the back and in the divider. Hinge mounting holes are located on one side of the backbox and should be positioned on the top when the speaker-clock grille will be mounted horizontally, and on the left when it will be mounted vertically. Additionally, one side features acoustic lining to help absorb speaker resonance. The lining will be on the left when the speaker-clock grille is mounted horizontally and on the bottom when it is mounted vertically. The backbox is finished in white powder epoxy for attractive surface installation.



AP700 speaker-clock grille mounts vertical or horizontal to surface backbox Model PC712 (grille shown with clock - by others). Order speaker separately.



One side features acoustic lining to absorb speaker resonance.

PC712 Surface Backbox for Model AP700

Grille Model	Description	Dimensions	Finish	Mounts (order separately)		
				Speaker*	Clock**	Backbox
AP700	Hinged speaker-clock grille	26"L x 14.5"W	White	8"	12"	PC712

*Lowell offers a wide selection of 8" speaker drivers including dual cone 10oz Series 810 and dual cone 5oz Series 805 with factory wired 70V or 25V transformers.
 **Universal clock mounting bracket will accommodate most 12" analog clocks (by others).

Backbox Model	Style	Dimensions	Knockouts	Finish	Mounts Grille
PC712	Surface	26"L x 14.5"W x 4"D	1/2"-3/4" back & divider	White	AP700



AP700 / PC712

AP700 8" Speaker and 12" Clock Grille / PC712 Surface Backbox

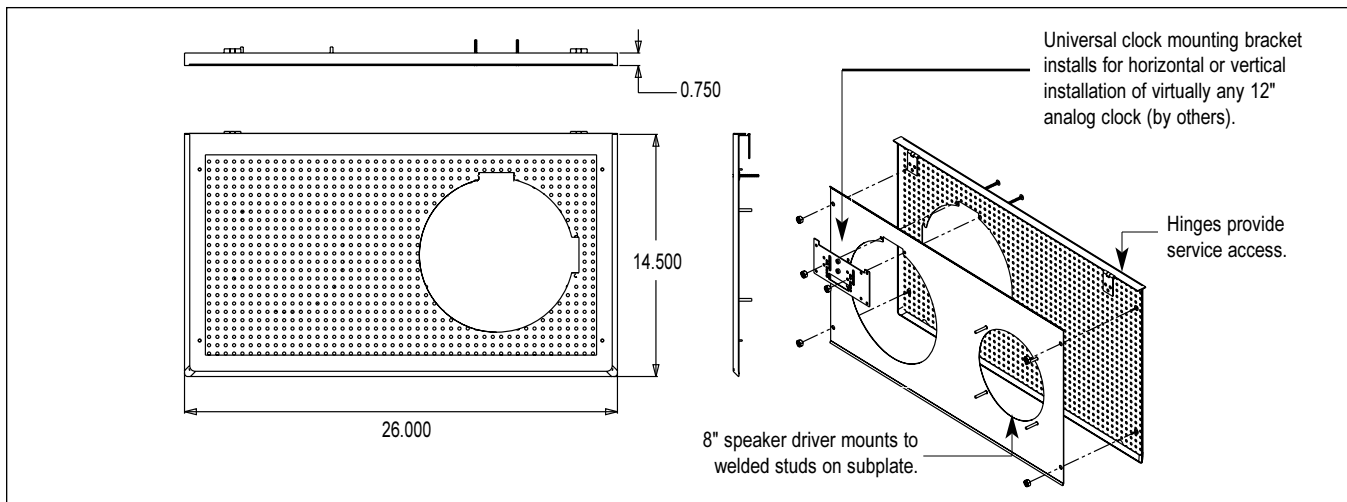
A & E Specifications

The combination speaker-clock grille for surface wall installation shall be Lowell Model AP700 with companion surface backbox Model PC712.

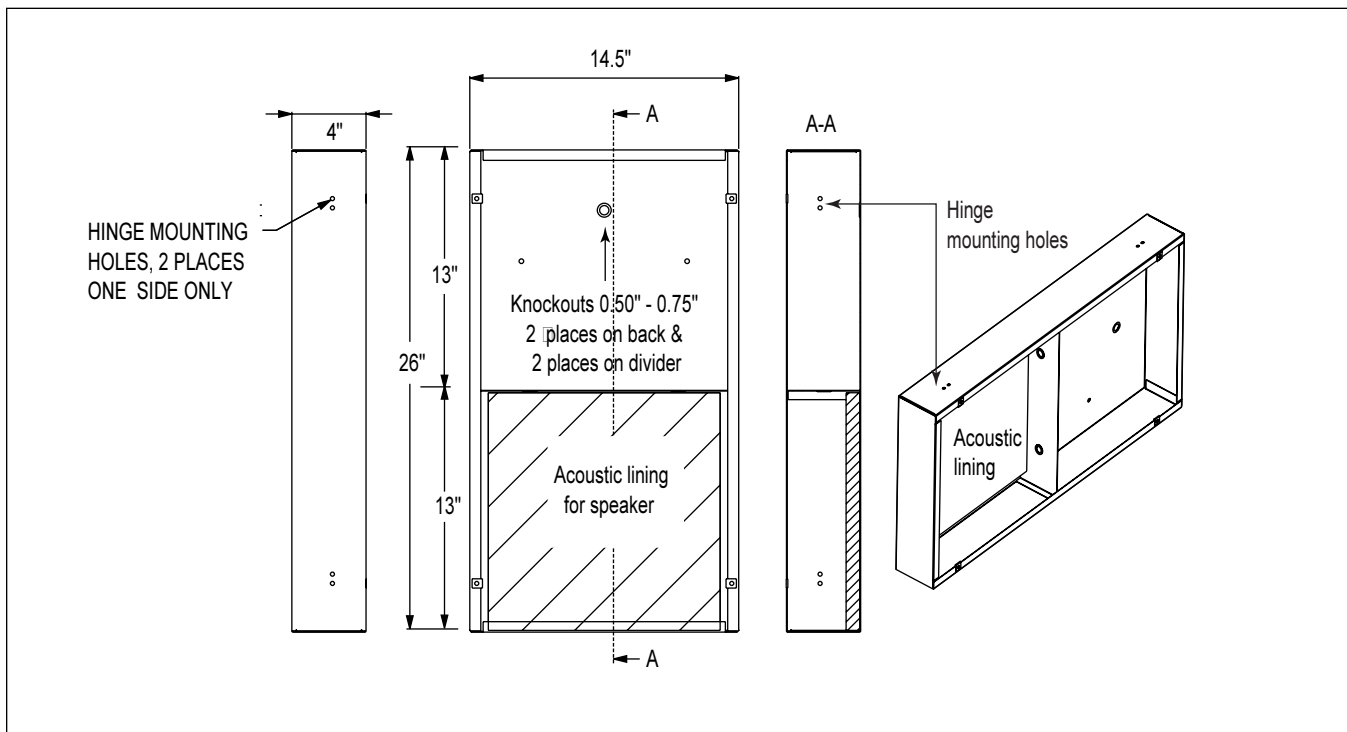
The speaker-clock grille Model AP700 shall be formed from 18 gauge steel and measure 26"L x 14.5"W. The grille shall be two piece with a perforated face and separate subplate for mounting a 12" clock on one side and an 8" speaker on the other. The clock cutout shall include provisions and hardware to field mount the universal clock bracket for horizontal or vertical installation of a 12" analog clock (by others). The speaker cutout shall be equipped with con-

cealed speaker mounting studs to accommodate a standard 8 inch driver (order separately). The grille shall be finished in white powder epoxy and include hinges and screws for installation to surface backbox Model PC712.

Surface backbox Model PC712 is formed from 20 gauge steel and measures 26"L x 14.5"W x 4"D with a divider between the speaker and clock mounting sections. Uniform knockouts on the rear and in the divider are compound 1/2" - 3/4". One section of the divided backbox (for the speaker) shall be equipped with acoustic lining. The backbox shall be finished in white powder epoxy.



AP700 speaker-clock grille with subplate



PC712 surface backbox

A
U
D
I
O

12"/10"
Speakers &
Accessories

8"
Speakers &
Accessories

6"
Speakers &
Accessories

4"
Speakers &
Accessories

Horn
Speakers &
Accessories

Masking
Speakers &
Generators

Control
Accessories
& Electronics

Grilles - Clock Speaker