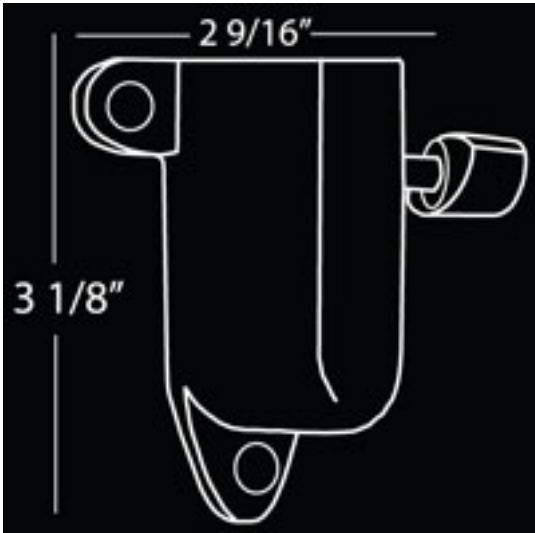


# WM-1



The WM-1 is a unique mount for the Heil booms that allows them to be mounted on a vertical surface. The brass insert of the WM-1 insures smooth, perfect fit.