

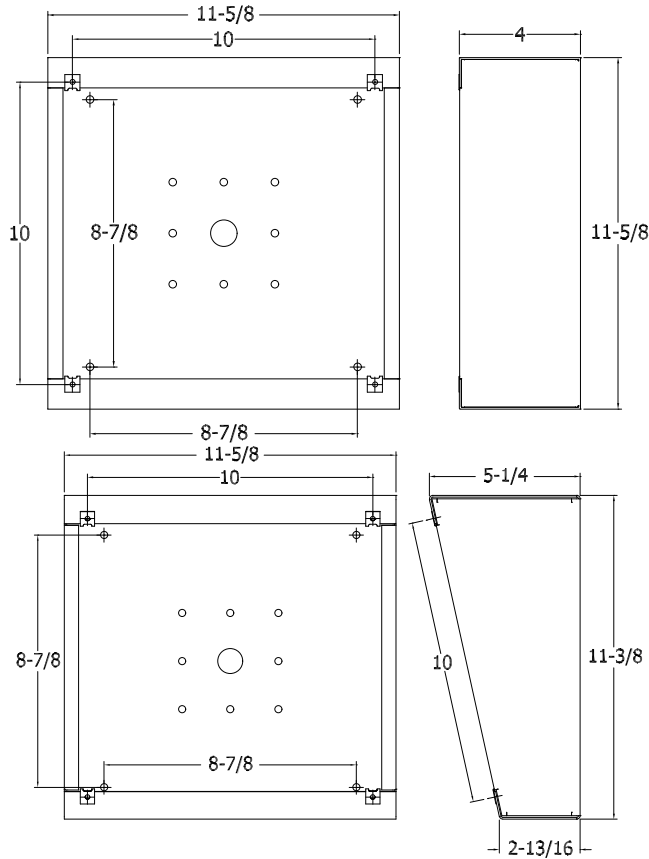


Quam

SE1WVP Vandal Resistant Square Surface Mount Loudspeaker Enclosure

SE2WVP Vandal Resistant Slanted Surface Mount Loudspeaker Enclosure

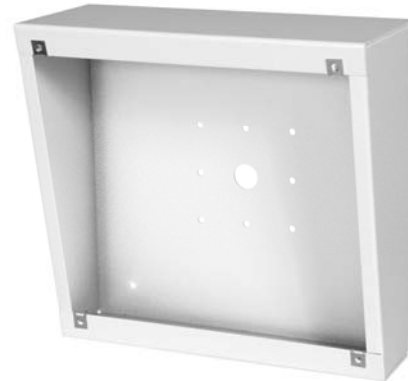
0603 - VANDAL RESISTANT COMPONENTS



SE1WVP



SE2WVP



GENERAL DESCRIPTION

The Quam SE_WVP format is a 16 gage steel, vandal-resistant loudspeaker surface mount enclosure with 4 #8-32 threaded inserts and single 1/2" conduit entrance.

Finish: White baked epoxy hybrid

INTENDED USE

Outdoor or indoor use only with recommended Quam components

SE1WVP- Square format, Vertical or horizontal installation

SE2WVP- Slanted format, Vertical installation, downward firing

RECOMMENDED QUAM COMPONENTS

0103- Paging Horn- H16/SVP, paging horn with square baffle, SE1WVP Only

or following combination:

0204- Moisture Resistant Loudspeakers, Individual 8C10PAOT

0502-Transformers, TBLU- 5W, 25V/70.7V, 5 taps at -3db levels

0603- Vandal Resistant Components, BS8VP- Square Baffle

Recommended construction sequences, installation instructions and A&E Specifications are available in various formats on the Quam Architects' and Engineers' Resources CD or on the web at: www.quamspeakers.com

Quam-Nichols Company

234 East Marquette Road, Chicago, IL 60637
Phone: (800) NEED NOW Fax: (888) NEED NOW
(800) 633 - 3669 (888) 633 - 3669

E-Mail: neednow@qnc.com www.quamspeakers.com

© 2006 Quam-Nichols Company Quam-Nichols reserves the right to make changes and/or improvements to its products at any time and without notice.



TSE1WVP_SE2WVP_07MR03

06 CORRECTION / DETENTION