



# SUSPENSION MOUNTING 30-WATT RADIAL LOUDSPEAKER

APR-30T

TWO



APR-30T

## SPECIFICATIONS

<b>Models:</b>	APR-30T
<b>Power Rating:</b>	30 Watts
<b>Frequency Response:</b>	300 - 12,000 Hz (nominal) 500 - 4,000 Hz ( $\pm 5$ dB)
<b>Sensitivity (SPL):</b>	125dB at 30 watts (Peak) 120dB at 30 watts / 1 meter (Avg) 500-4,000 Hz 110dB at 1 watt/1 meter (Avg) 500-4,000 Hz
<b>Dispersion Angle:</b>	40° (-6dB, 2000 Hz octave band)
<b>Dimensions:</b>	9¼" Dia. x 10½" H (235 x 267mm)
<b>Weight:</b>	10 lbs. (4.5kgs)
<b>Finish:</b>	Grey baked epoxy

## ARCHITECT AND ENGINEER SPECIFICATIONS

Loudspeaker shall be Atlas Sound Model APR-30T or approved equal. Full range power rating shall be 30 watts. Frequency response shall be 300-12,000 Hz (nominal), 500-4,000 Hz ( $\pm 5$ dB). Sensitivity shall be 120dB (30W/1M), 110dB (1W/1M). Unit shall be of double re-entrant type with a radial sound dispersion pattern of 40°. Magnet assembly shall have a self-aligning field-replaceable diaphragm. Model APR-30T shall have impedance selection, via seven-position switch of 2500, 1300, 666, 333, 167, 89 and 45 ohms. Power taps shall be available at 4, 7.7, 15 and 30 watts for 100 volt line, 1.8, 3.7, 7.5, 15 and 30 watts for 70 volt line and 0.9, 1.8, 3.7, 7.5 and 15 watts for 25 volt line. Driver unit shall be mounted within a waterproof housing. Wiring terminals shall be enclosed. For wiring and vandalism protection, Atlas Sound Model BX-1 an armored cable/conduit adapter shall be available where specified. Finish shall be grey baked epoxy. Dimensions shall be 9¼" Dia. x 10½" H (235 x 267mm). Weight shall be 10 lbs. (4.5kg).

## FEATURES

- High Intelligibility for Sound, Intercom and Signal System Use
- Radial Dispersion Pattern
- Built-In 25/70.7/100-Volt Transformer
- Water-Sealed Metal and ABS Plastic Construction for Environment Resistant Outdoor and Indoor Applications
- Equipped with Vari-Tap® Connect Center

## APPLICATIONS

Model APR-30T loudspeaker provides 40° radial-directed, wide area sound dispersion and high intelligibility for commercial sound, intercom and protective signal systems. These weather-resistant, aesthetically pleasing units are most commonly used for overhead or suspended-ceiling installation in industrial buildings, transportation and service centers, storage and manufacturing facilities, sports centers or wherever a radical sound distribution pattern is desired.

## GENERAL DESCRIPTION

Atlas Sound's APR-30T is a double re-entrant, dual-bell loudspeaker. It has a power rating of 30-watts, a nominal frequency response of 300 - 12,000 Hz and a sound pressure level of 125dB at rated power, 1 meter. The dual-bell design allows for a 40° dispersion pattern at any power level whether on axis (directly below), or at a distance (horizontal acoustical axis). Magnet assembly features a self-aligning, field-replaceable diaphragm. The loudspeaker is equipped with a built-in 25/70.7/100-volt transformer and features the Vari-Tap Control/Connect Center with 7-position, impedance selection switch for convenient transformer tap adjustment. It includes a protective cover with built-in strain relief for the connecting cable.

Assembly is equipped with provisions for suspended ceiling installation. Construction is weather-resistant, metal and ABS plastic construction allows for outdoor or indoor utilization. The loudspeaker is finished in grey baked epoxy. Dimensions are 9¼" Dia. x 10½" H. Optional vandal-resistant accessory Model BX-1A, featured below, is available (order separately).

## ACCESSORIES

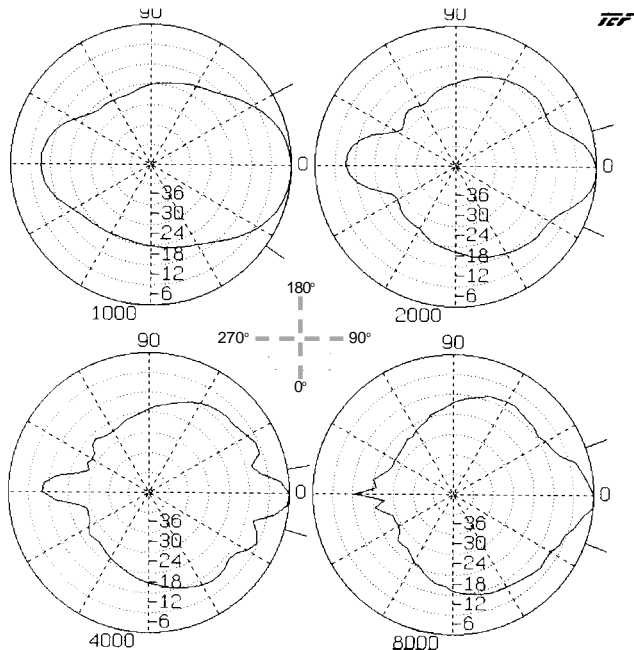


**BX-1A.** Vandal resistant cover plate for armored cable and conduit connection. Constructed of cast aluminum.

Specifications subject to change without notice



1601 JACK MCKAY BLVD. / ENNIS, TEXAS 75119 U.S.A. / TELEPHONE: (800) 876-3333 / FAX (800) 765-3435



Polars Are Normalized To Zero On Axis

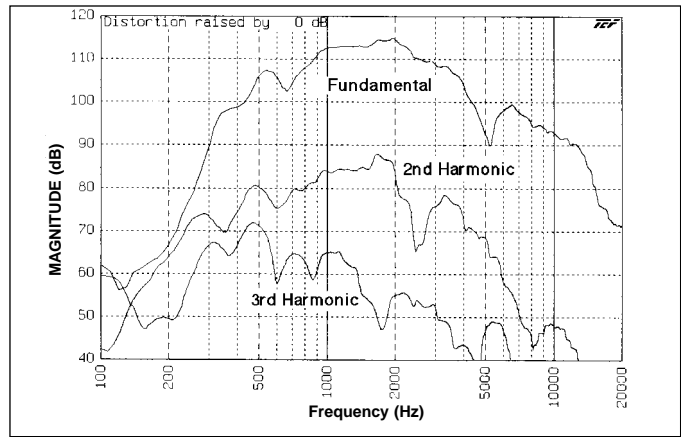
MODEL APR-30T			
Frequency	Q	Di	Beamwidth
1000	12	11	65
2000	18	13	40
4000	17	12	25
8000	16	12	40

APR-30T Vari-Tap® Control Connect Center Xfmr. Power Taps				
Switch Position	Impedance (Ohms)	Watts @ 25V	Watts @ 70.7V	Watts @ 100V
1	2,500	—	1.8	4
2	1,300	—	3.7	7.7
3	666	0.9	7.5	15
4	333	1.8	15	30
5	167	3.7	30	X*
6	89	7.5	X*	X*
7	45	15	X* (* Do Not Use)	X*

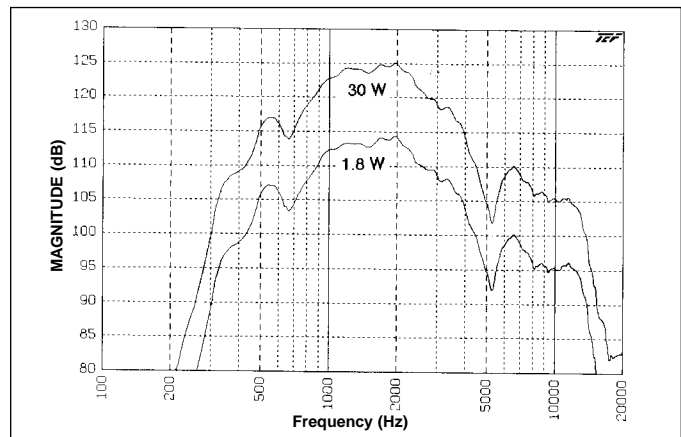
**DRIVER PROTECTION:** The horn loudspeaker should not be operated at frequencies outside the horn cut-off. It is suggested that any program material be high-passed at 300 Hz with a 6dB per octave filter. This can be done by a low level filter at the amplifier input or by a series capacitor at each loudspeaker. Electrolytic capacitors can be used but they must be non-polarized.

(See Typical Capacitor Values Chart.)

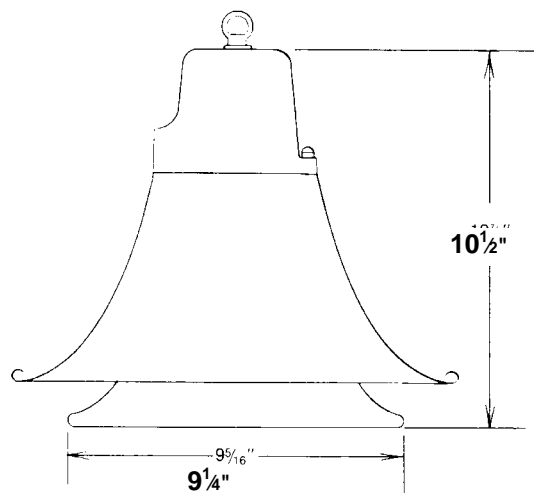
TYPICAL CAPACITOR VALUES			
8 Ohm Driver	25Volt Line	70Volt Line	100Volt Line
70 mfd	30 mfd	4 mfd	2 mfd



APR-30T (Harmonic Distortion - 1.5 watts @ 1 meter)



APR-30T Frequency Response



Atlas Sound products are designed and tested in our well-equipped research laboratory which contains a fully anechoic chamber, complete analog Bruel & Kjaer measurement equipment and Techtron® TEF 20® audio analyzer. Atlas Sound is proud to be a beta site for TEF software.

Specifications subject to change without notice



1601 JACK MCKAY BLVD. / ENNIS, TEXAS 75119 U.S.A. / TELEPHONE: (800) 876-3333 / FAX (800) 765-3435