

This all-weather, aluminum and stainless steel banding strap kit is designed to attach objects to indoor and outdoor poles and columns.

Follow these instructions for the most efficient and safest mounting results. Do not exceed the working load limit of 300 Lbs/136 kg and always install safety cables.

Important: Mounting heavy objects requires experienced professionals. *Improperly installed equipment can result in liability to the installing contractor, property damage, personal injury, and /or death. Do not install if in doubt about the integrity of the mounting structure.*

Caution: Due to the wide variety of mounting structures, environments, materials and mounting methods, these instructions assume that the installing contractor will exercise good judgment in selecting the proper mounting area and hardware.

Package Contents:

- 2 pcs. Banding straps (30" or 60" or 90" long)
- 1 pc. Fixed Bolt Retainer Block
- 1 pc. Sliding Bolt Retainer Block
- 1 pc. 3/8-16 x 6" Coated Carriage Bolt
- 1 pc. 3/8-16 Coated Flange Nut
- 2 pcs. 3/8" Stainless Flat Washer
- 1 pc. Tube of thread lock

Step 1. Assemble Fixed Retainer Block

Mark the strap at least 4-6 inches from the end

and fold the strap at the mark. Strike the strap at the bend to create a sharp radius. Slide the strap through the Fixed Retainer Block so that its bend will pass over the beveled end of the Block. (Figure 1)

Step 2. Assemble the Pole Adapter to the strap

Insert the free end of the strap through the Pole Adapter's slots, then through the Sliding Retainer Block, non-beveled end first. (Figure 2).

Step 3. Determine Strap length for Pole

Holding the Fixed Block firmly against the pole, overlap the strap. Move the Sliding Block up against the Fixed block so that their two beveled edges meet each other (Figure 2).

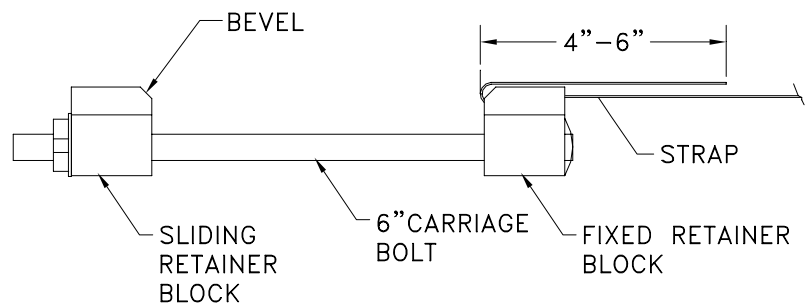


Figure 1

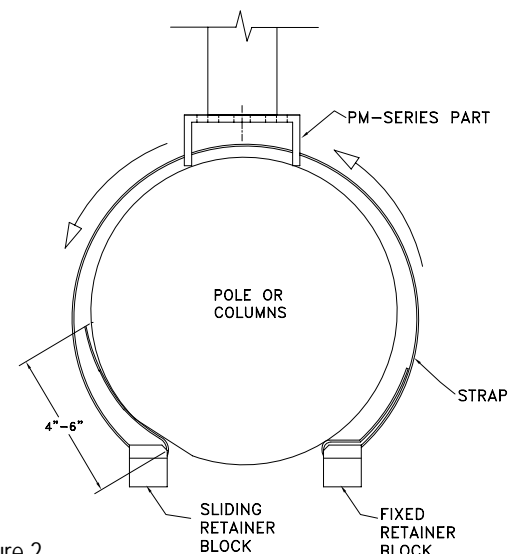


Figure 2

Step 4

Move the Sliding Block back at least 1"-2" and fold the strap at the Sliding Block's beveled end. Strike the bend to form a sharp radius. Trim away the excess strap material leaving **4" or more of left over material**. A Longer tail length provides more effective locking. Feed any excess strap material through the Pole Adapter's slots, if necessary.

Step 5

Bend the strap at both Retainer Blocks, near the non-beveled ends to allow the Carriage Bolt to easily pass through each of the Retainer Blocks (Figure 3 and 4).

Step 6

Place the strap assembly around the pole, at the final mounting height and secure the Retaining Blocks with the Carriage Bolt, Flange Nut and Flat Washer. Be sure that the Pole Adapter is oriented in the right direction and with the bolt assembly on the opposite side of the Pole Adapters (Figure 2 and 4).

Step 7

Tighten the Carriage bolt assembly until all slack has been removed from the fully loaded assembly. *Retainer blocks must have a minimum of 1/2" gap after fully tighten.* Do not over tighten (Figure 5).

Step 8

Apply thread lock to the threads around the nut

Step 9

Repeat above procedures for next strap assembly.

Note:

Always install Safety Cables

