

Description

Lowell grille Model SG-8VP is a heavy-duty yet architecturally pleasing grille that features a secondary steel barrier screen to protect speakers from damage in applications where vandalism and abuse are a concern. It is ideal for installation in schools, hospitals, manufacturing and distribution centers, transportation terminals, detention centers and correctional facilities.

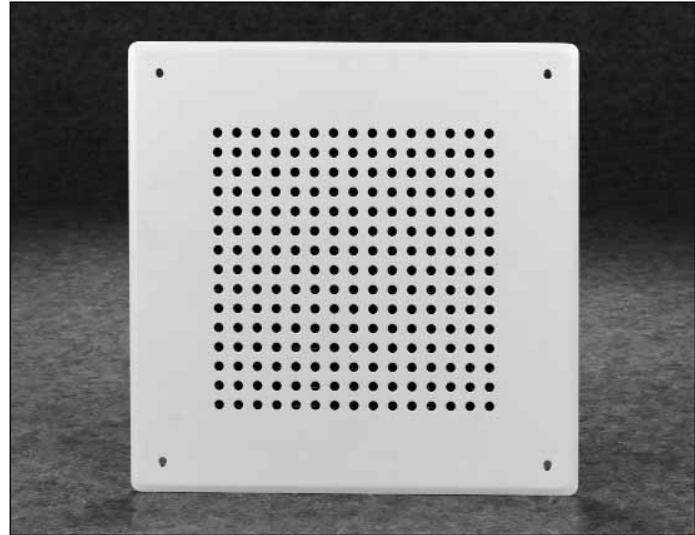
Rugged grille is 14.438" square and formed from 14-gauge steel to withstand damage and abuse. It is additionally engineered with a 22-gauge steel barrier screen (painted black) and open chipboard gasket; both of which, are placed between the grille and the speaker cone to prevent damage from pointed objects. The protective barrier screen features 1/16" diameter holes on 3/32" staggered centers resulting in a 40% open area for protection and clear speaker performance.

The grille also includes four 8-32 x 1" welded studs with palnuts for concealed mounting of an 8" EIA speaker driver or Lowell's 15W narrow profile Unihorn™ with 3.72" depth. It is additionally equipped with four white 8-32 x 1-1/4" tamper-resistant screws for attaching the speaker-grille assembly to the recessed or surface backbox (order separately - see page 2). The grille is finished in white powder epoxy for long lasting quality appearance.

Lowell offers a wide selection of 8" speaker drivers with optional 70V or 25V transformer for distributed voice paging and music. Popular 8" drivers include Model 805 (12W dual cone), 810 (15W dual cone), 8C10MRA (15W moisture resistant), CT830 (20W coaxial), CT8320 (25W coaxial), and 8A50 (50W coaxial). Additionally, Lowell's 15W Unihorn Model LUH-15T will also fit grille Model SG-8VP using companion backboxes noted.

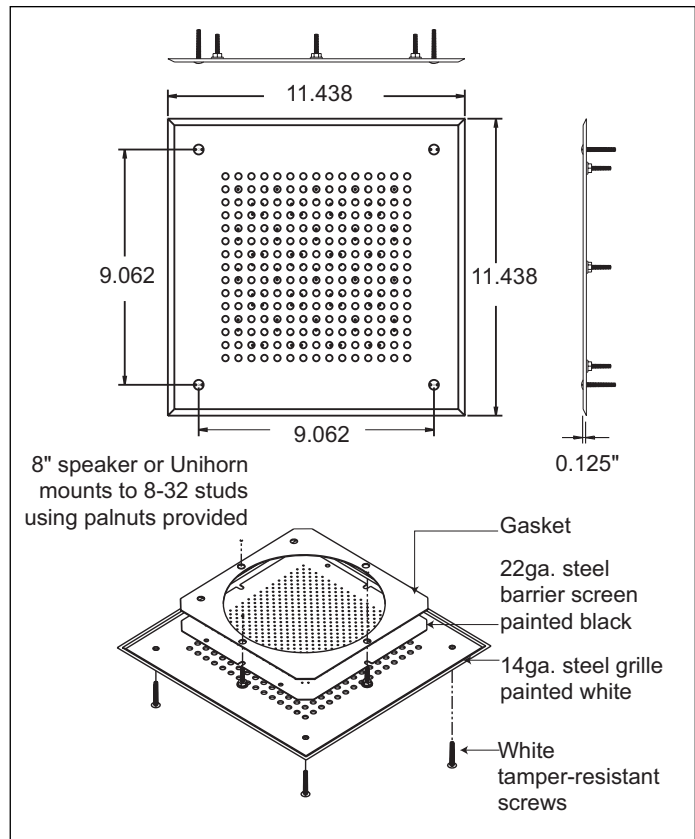
A & E Specifications

The tamper-resistant grille for 8" speaker drivers or Lowell's Unihorn shall be Lowell Model SG-8VP. It shall be heavy duty 14-gauge punched steel reinforced with a peripheral flange. It shall include a 22-gauge steel barrier screen, painted black, and a chipboard gasket to protect the driver from damage. The grille shall be 11.438" SQ with a shallow mounting projection of 0.125". It shall have 8-32 x 1" welded studs with palnuts for mounting specified 8" EIA speaker. Each grille shall also have four 0.218" holes on a 9.062" centers for mounting specified recessed or surface backbox using tamper-resistant white screws provided. Grille shall be finished in white powder epoxy. Companion backbox shall be Lowell recessed Model _____ (P68X, P68X-6, P68X-10) or surface Model CB84-SGVP. Companion channel rails for suspended installations shall be Lowell Model _____ (SS24 or SS30 rails).



SG-8VP

Vandal-resistant 14-gauge steel grille with barrier screen and vandal-resistant hardware



Grille Specifications and Companion Mounting Accessories (order separately)

Grille Model	Speaker Size*	Grille Size	Mounting Provisions	Material	Color	Backbox or Mtg. Ring Choices (Choose one, plus tile bridge or rails if required.)	Channel Rails (if required for suspended ceilings)
SG-8VP	8" (or Unihorn)	11.438"SQ	4 studs, 4 screws	Steel	White	P68X, P68X-6, P68X-10 CB84-SGVP (surface mount)	SS Series railsN.A.

*Lowell offers a selection of 8" speakers with optional 70V or 25V transformers and the 15W Unihorn with 3.72"D. - see the Description paragraph or detailed specs on line.



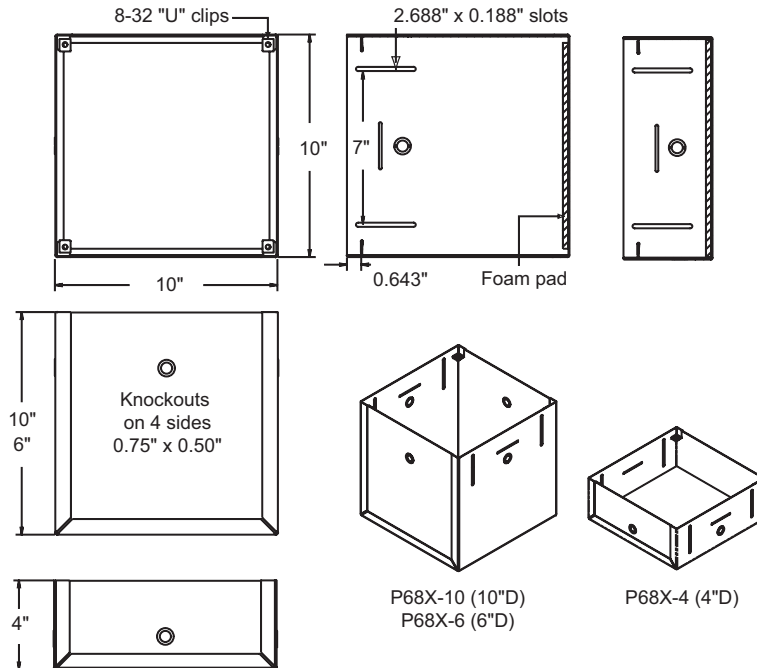
SG-8VP

Vandal-resistant 14-gauge Steel Grille for 8" Speakers and Unihorn

Companion mounting accessories for grille Model SG-8VP (order separately)



P68X (4"D)
P68X-6 (6"D)
P68X-10 (10"D)



AUDIO

12"/10"
Speakers & Accessories

8"
Speakers & Accessories

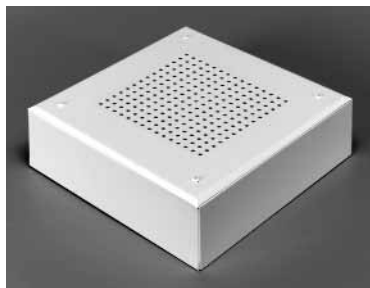
6"
Speakers & Accessories

4"
Speakers & Accessories

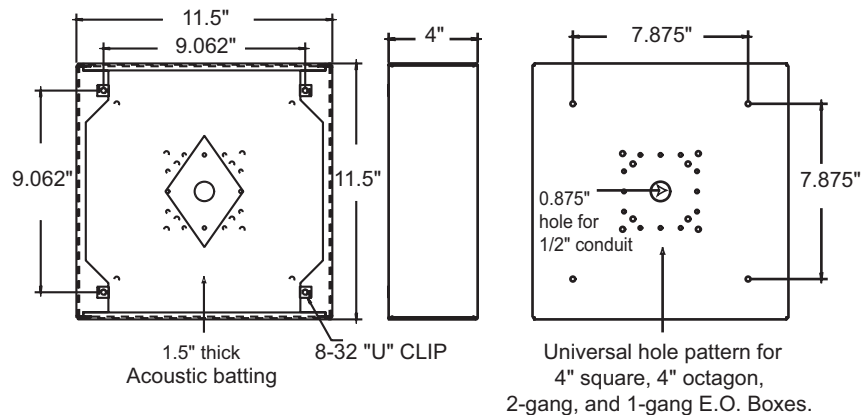
Horn
Speakers & Accessories

Masking
Speakers & Generators

Control
Accessories & Electronics



CB84-SGVP
(shown with SG-8VP grille)



Companion Backboxes (order separately)

Backbox Model	Mounts Speaker Size	Backbox Size	Features	Mounts Grille (order separately)
P68X	8" (or Unihorn)	10"SQ x 4"D	Foam pad	SG-8VP
P68X-6	8" (or Unihorn)	10"SQ x 6"D	Foam pad - extra depth	SG-8VP
P68X-10	8" (or Unihorn)	10"SQ x 10"D	Foam pad - extra depth	SG-8VP
CB84-SGVP (surface mount)	8" (or Unihorn)	11.5"SQ x 4"D	Heavy-duty 16ga, white finish, 1.5" thick batting	SG-8VP



SS Series

Channel Rail Details (order separately if required for suspended tile ceilings)

SS24	24"L channel rail pair
SS30	30"L channel rail pair

Grilles - Ceiling / Wall