

### Description

Lowell combination speaker-clock grille Series DC802 and companion backbox Model SE1275 (surface) or RE1175 (recessed) provide an architecturally pleasing solution for installation of an 8" paging speaker and digital clock in school classrooms, sports/recreation facilities, and medical or professional buildings of all kinds. Compact design of this dual function device provides a small architectural footprint and reduces fixture and labor costs. Model DC802 grille features a cutout for mounting a digital clock (by others) and welded speaker mounting studs for installation of a standard 8" speaker driver (order separately). Lowell offers a wide selection of drivers with optional 70V or 25V transformer for distributed voice paging and music with clear intelligibility. Frequently ordered models for speaker-clock grille use include driver Model 805 (12W dual cone), 810 (15W dual cone), or CT830 (20W coaxial).

**Grille Series DC802** is designed for screw mount installation to surface backbox Model SE1275 or recessed Model RE1175. This small, 12.688" square grille is formed from a single piece of 18-gauge steel. It features a square perforated area with welded studs for mounting an 8" speaker driver (order separately) and a cutout for mounting a variety of digital clocks (by others - see chart below). *Note: The cutout for mounting the digital clock by others is fabricated specifically to mount the clock specified, so please order the Lowell DC802 model that corresponds to the clock specified for field installation.* The grille is finished in durable white powder epoxy and includes white screws for attractive installation.

**Surface Backbox Model SE1275** is designed for surface installation of speaker-clock grille Series DC802. It is formed from 20-gauge steel and measures 12.75"SQ x 4"D. The rear of this surface mounting box features a universal hole pattern for installation to a 4" square, 4" octagon, 2-gang, or 1-gang E.O. box. The rear also includes a 3/8" hole with grommet for wire access. Additionally, a fire-retardant foam pad is applied on the inside (top rear) to help absorb speaker resonance. The backbox is finished in white powder epoxy for attractive surface installation.

Continued on page 2.



DC802 speaker-clock grille mounts to surface backbox Model SE1275 or recessed backbox RE1175 (grille shown with digital clock - by others). Order speaker separately.



SE1275  
Surface Backbox for Model DC802



RE1175  
Recessed Backbox for Model DC802

### Lowell Clock Speaker Grille and Companion Backbox Specifications

Grille Model	Description	Dimensions	Finish	Mounts Speaker (Order separately)*	Mounts Backbox (Order separately)	Mounts Digital Clock (Order from others)
DC802-DD3	Grille for 8" Spkr & digital clock	12.688"SQ	White	8"	SE1275 or RE1175	Dukane #24D20A, 24D20
DC802-DF	Grille for 8" Spkr & digital clock	12.688"SQ	White	8"	SE1275 or RE1175	Faraday #2363-24 Sapling #SBD-100-254-V Sapling #SBD-200-254-V
DC802-DFR	Grille for 8" Spkr & digital clock	12.688"SQ	White	8"	SE1275 or RE1175	Franklin #F1200-6PM1
DC802-DR1	Grille for 8" Spkr & digital clock	12.688"SQ	White	8"	SE1275 or RE1175	Rauland #2420
DC802-DR2	Grille for 8" Spkr & digital clock	12.688"SQ	White	8"	SE1275 or RE1175	Rauland #2520
DC802-SAP1	Grille for 8" Spkr & digital clock	12.688"SQ	White	8"	SE1275 or RE1175	Sapling #SBD-103-254-V Sapling #SBD-203-254-V

\*Lowell offers a wide selection of 8" speaker drivers including dual cone 10oz Series 810 and dual cone 5oz Series 805 with factory wired 70V or 25V transformers.

Backbox Model	Style	Dimensions	Wire Access	Finish	Mounts Grille
SE1275**	Surface	12.75"SQ x 4"D	3/8" hole with grommet	White	DC802 Series
RE1175**	Recessed	11.75"SQ x 4"D	1/2-3/4" knockouts	Black	DC802 Series

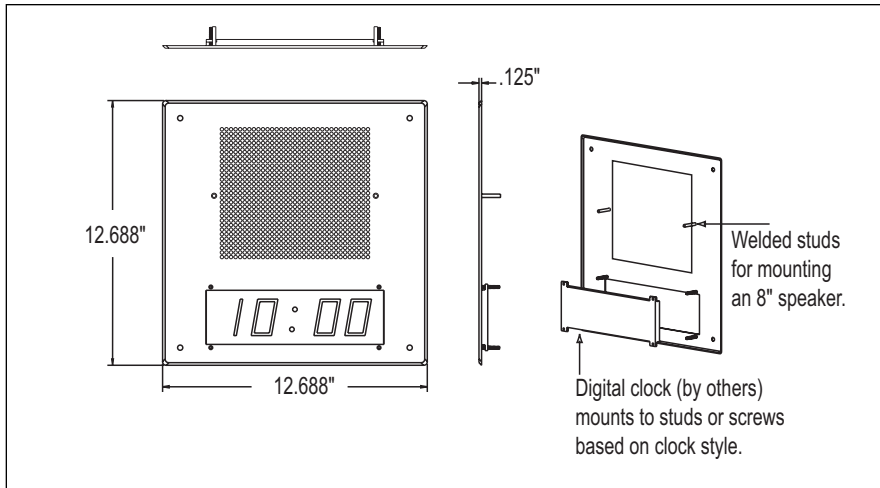
\*\*These are open (non-divided) backboxes. If a 110V clock is used, the installer will need to isolate the clock to meet local code.



## DC802 Series

### Grille for 8" Speaker & Digital Clock / Backbox SE1275 & RE1175

A  
U  
D  
I  
O



Series DC802 speaker-clock grille

**Recessed Backbox Model RE1175** is designed for recessed installation of speaker-clock grille Series DC802. It is formed from 20-gauge steel and measures 11.75" SQ x 4"D. Compound knockouts for 1/2" - 3/4" conduit are located on all four sides. Additionally, the top and bottom sides feature 2"L x 3/16"H slots for horizontal positioning adjustment in the wall. Left and right sides feature 1-1/4"L x 3/16"H slots for depth adjustment in the wall. The backbox also includes a fire-retardant foam pad to help absorb speaker resonance. The finish is black powder epoxy.

### A & E Specifications

The combination speaker-clock grille for digital clock installation shall be Lowell Model DC802-\_\_\_\_. The speaker-clock grille shall be formed from 18 gauge steel, measure 12.688" square, and be finished in white powder epoxy. It shall include a square perforated area with welded studs for mounting an 8" speaker driver and a cutout for mounting a digital clock - as specified. The grille cutout for mounting the digital clock by others shall be fabricated to mount clock Model \_\_\_\_\_ by \_\_\_\_\_ (manufacturer).

12"/10"  
Speakers & Accessories

8"  
Speakers & Accessories

6"  
Speakers & Accessories

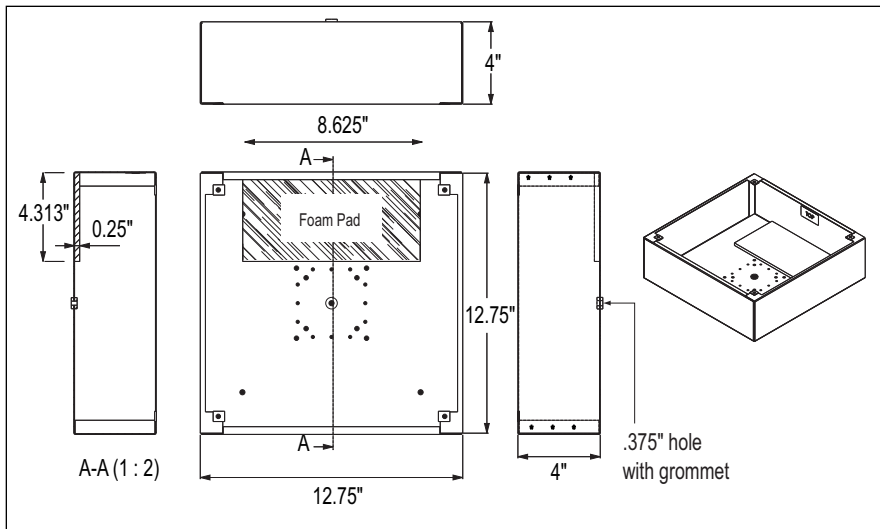
4"  
Speakers & Accessories

Horn  
Speakers & Accessories

Masking  
Speakers & Generators

Control  
Accessories & Electronics

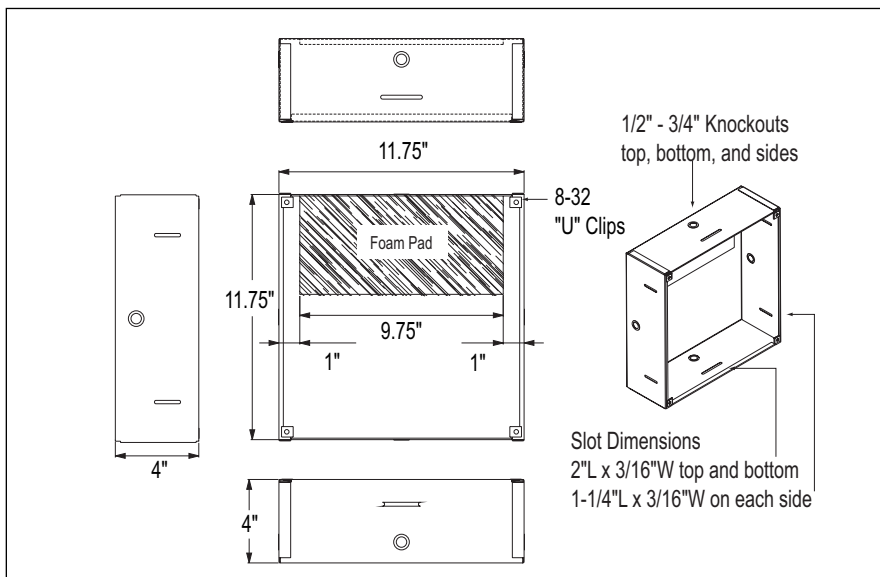
Grilles - Clock Speaker



SE1275 surface backbox

The backbox for mounting Lowell speaker-clock grille Series DC802 shall be Lowell Model SE1275 for surface applications or Model RE1175 for recessed installation.

The 8" speaker driver for use in Lowell speaker-clock grille Series DC802 shall be Lowell Model \_\_\_\_\_. For distributed applications the speaker shall include a constant voltage transformer Model \_\_\_\_\_.



RE1175 recessed backbox