

Description

Lowell LWF-RD2 rear door fan panel is engineered to mount into the notched holes located in the rear door vent pattern of Lowell racks and cabinets. The fan panel includes two 'whisper-quiet' fans with protective guards and typically mounts inside the rear door to bring cool air into the rack for direct-intake cooling of mounted equipment. The versatile panel may also be mounted to the outside of the rear door for exhaust cooling*. Additionally, the individual fans may be removed and repositioned to provide the opposite airflow (exhaust when mounted inside or direct when mounted outside).

Rear door fan panels are designed for easy field installation. They mount using screws provided into the small notches in the factory punched vent pattern of rear doors on Lowell's ganging racks (Series L279, L278, L277, L275), solid-side floor cabinets (Series L268, L267, L265, L262, L260) and rolling racks (Series L258 and L259).

Fan panel assemblies include two fans with protective front guards, UL cordset that exits through a 7/8" bushing on the 15.25" x 2" bottom side, and mounting hardware. Each fan is 4.7" diameter with a 50cfm airflow rating and a quiet 28dBA noise rating. Panels are formed from 16 gauge steel and finished in Lowell's durable black powder epoxy paint. Optional fan filter kit may also be ordered for if desired. Order Model L39 separately for each fan.

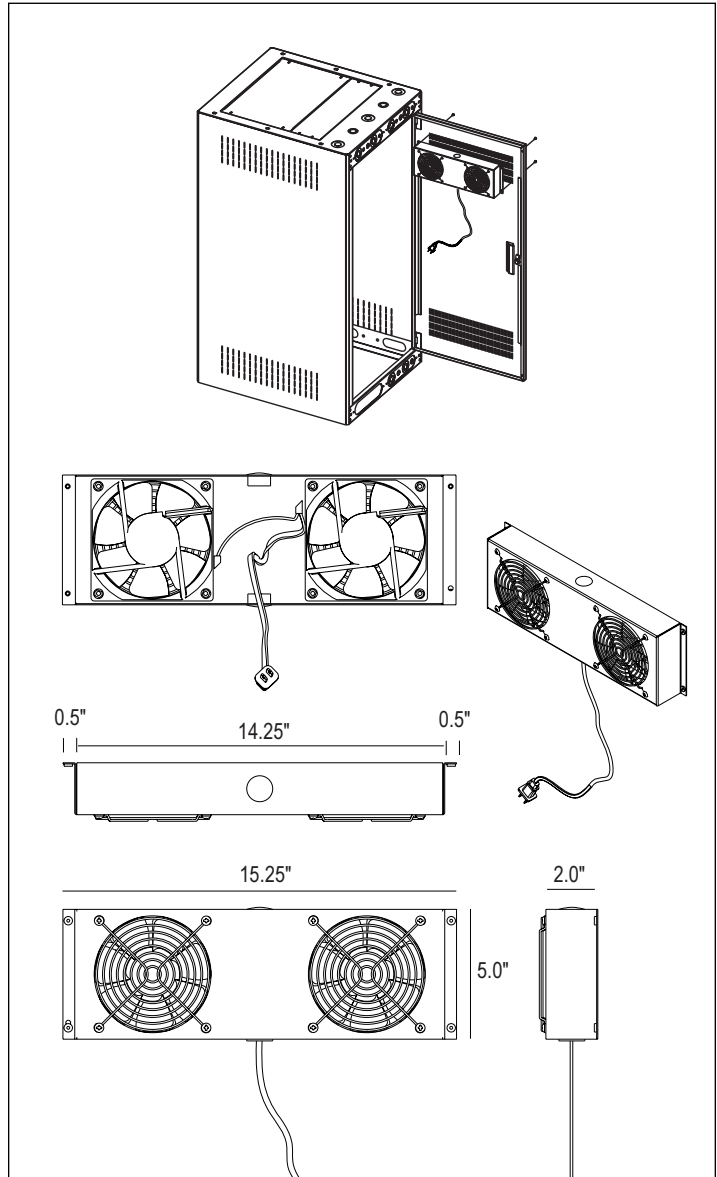
**Note: Typical installation is INSIDE the rear door. If the fan panel is mounted on the OUTSIDE of the rear door, the cordset will need to be routed through the door to the inside of the cabinet. See diagram # _____.*

A & E Specifications

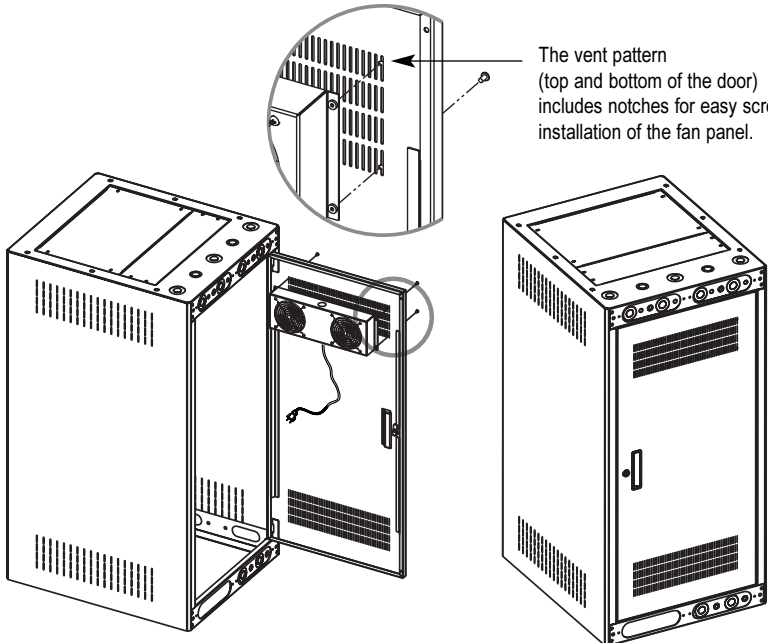
The fan panel for rear door installation on Lowell ganging racks, solid-side floor cabinets and rolling cabinets shall be Lowell Model LWF-RD2. The fan panel assembly shall be 16 gauge steel finished in powder epoxy paint with (2) mounted fans, (2) fan guards, UL cordset with grounded plug and (4) 6-32 x 5/16" mounting screws. Each fan shall be 4.7" diameter with 50cfm airflow each and a 28dBA noise rating. The assembly shall measure 15.25"W x 5"H x 2"D and shall mount to the notched vents in the rear door of Lowell ganging rack Series L279, L278, L277, L275; solid-side floor cabinet Series L268, L267, L265, L262, L260; and rolling rack Series L258 and L259.



LWF-RD2
Rear door fan panel



Model	Panel Size	Fan Qty	Fan Size	Airflow Ea. Fan / Total	Noise Rating Ea. Fan / Total	Power Req. Ea. Fan / Total	Mounts
LWF-RD2	15.25"W x 5"H x 2"D	2 Whisper Fans	4.7"	50 cfm / 100 cfm	28 dBA / 31 dBA	5.5 watts / 11 watts	L279, L278, L277, L275 L268, L267, L265, L262, L260 L258, L259



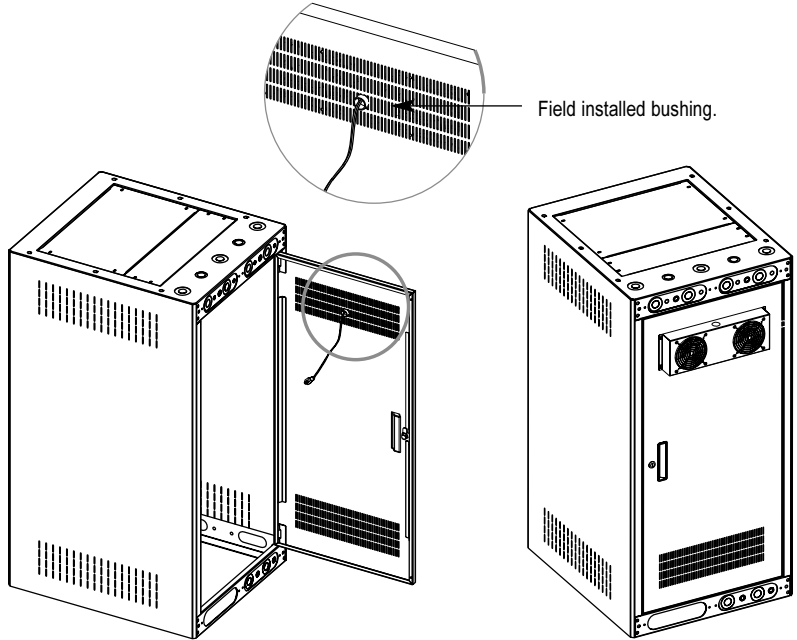
The vent pattern (top and bottom of the door) includes notches for easy screw installation of the fan panel.

Typical installation INSIDE cabinet

- 1) Simply mount fan panel to inside of door using (4) screws provided.
- 2) Plug fan panel into power strip.

When mounted inside the cabinet, the fan panel provides Direct-Intake cooling.

OR . . . Individual fans may be removed and inverted for exhaust cooling from an 'inside mounted' fan panel.



Field installed bushing.

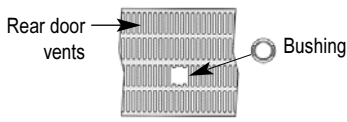
Alternate installation OUTSIDE cabinet

If the fan panel is mounted on the OUTSIDE of the rear door, the cordset will need to be routed through the door to the inside of the cabinet. This requires the cordset to exit from the open/ rear side of the fan panel instead of the bottom. Additionally, a hole needs to be made in the vents on the rear door to fit the cord and bushing.

- 1) Disconnect fan plugs.
- 2) Pull cord down and out through bushing.
- 3) Remove bushing; replace with hole plug provided.
- 4) Re-connect fan plugs.
- 5) Locate the center of the vent pattern on the rear door. Remove/cut three vents and install the bushing removed in step 3.
- 6) Insert cord through bushing to inside cabinet and mount the fan panel to outside of door using (4) screws provided.

When mounted outside the cabinet, the fan panel provides Exhaust cooling.

OR . . . Individual fans may be removed and inverted for Direct-intake cooling from an 'out-side mounted' fan panel.



Rear door vents Bushing