

GENERAL

These wall boxes are designed to provide the AV and security industries with an attractive enclosure to securely house various connections and control plates. The wall boxes are perfect for hotels, conference centers, classrooms, churches, meeting rooms, airports and all public spaces.

The wall boxes come with all necessary hardware to mount in new or old construction. The wall boxes can be mounted in any direction, permitting the door to open up, down, right or left.

There are two sizes of this wall box. One will handle a standard three gang plate and the larger box will handle a standard four gang plate. The appropriate blank plate is supplied with each wall box.

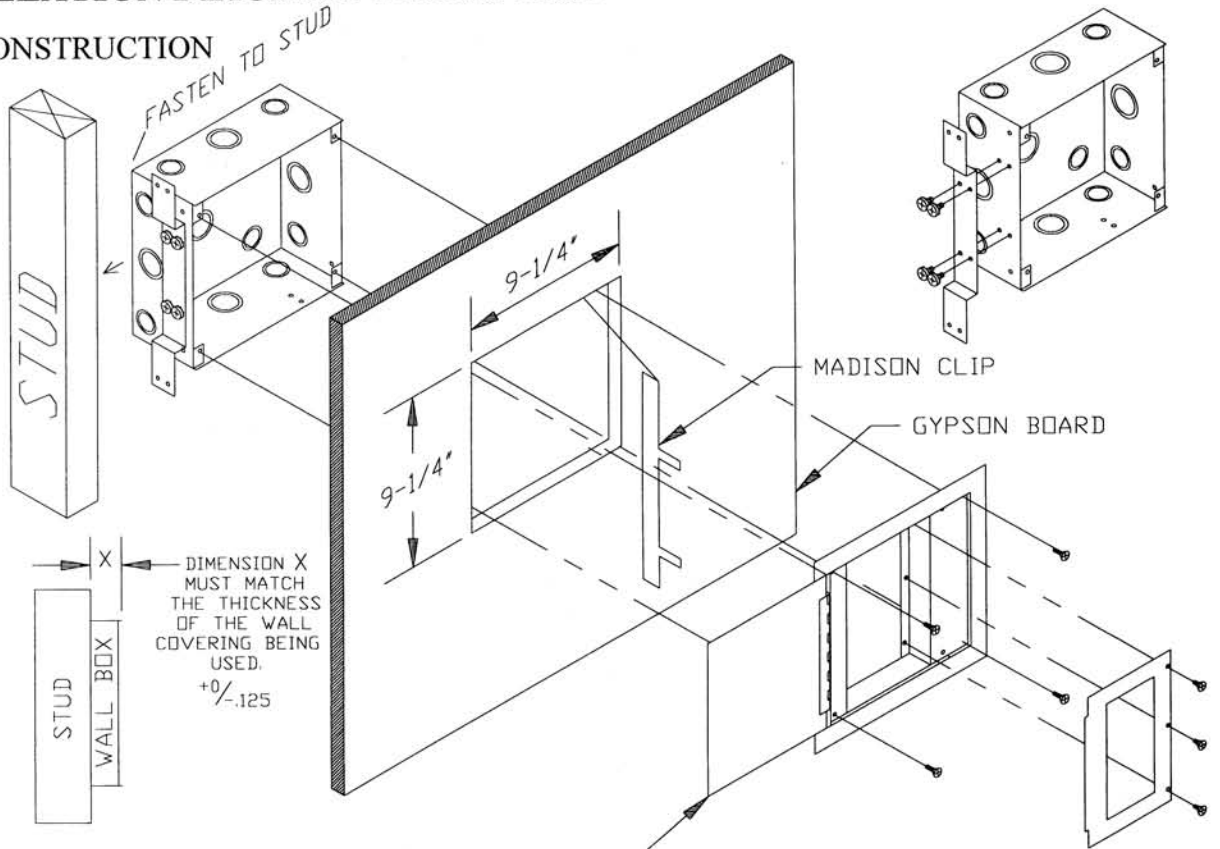
Each wall box has a key lock built into the design as well as a push-to-open retention latch.

FEATURES

- Sturdy steel construction
- Mount in either new or old construction
- Available in either three or four gang sizes
- Standard finish is white
- Comes complete with mounting hardware and blank plates
- Built in lock and push-to-open retention latch
- Either wall box can be mounted in any position

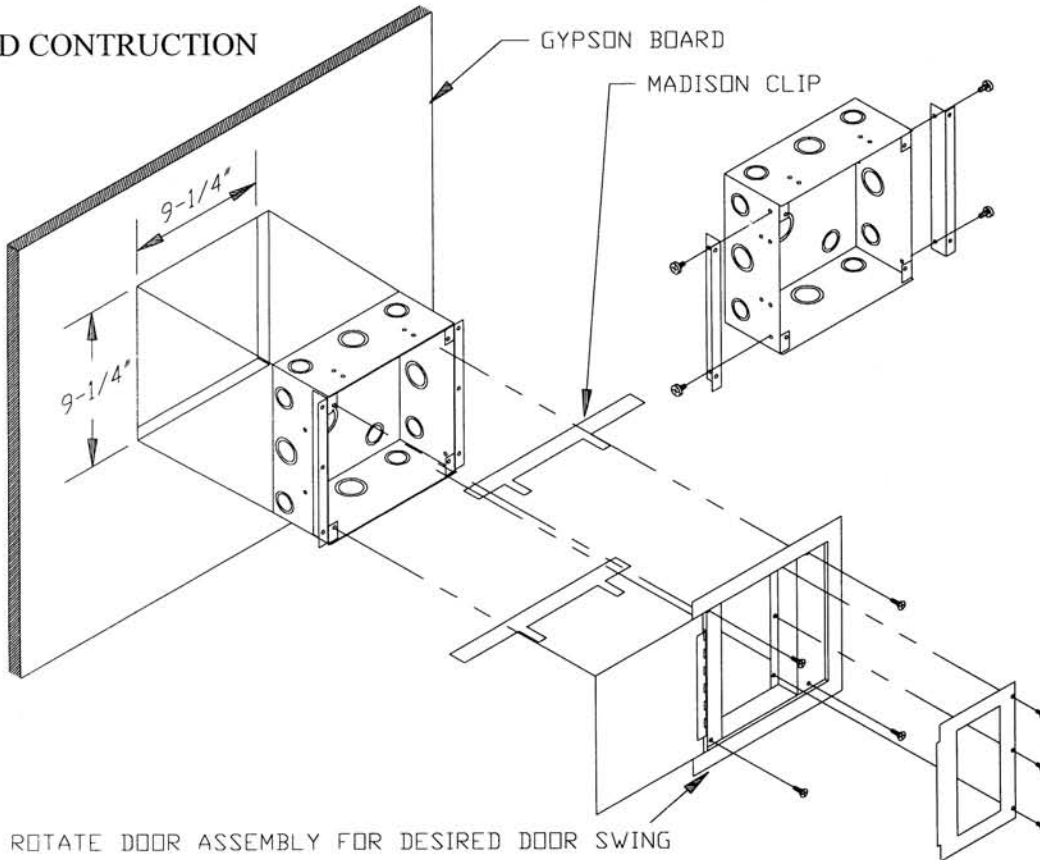
INSTALLATION DIAGRAM 4 GANG BOX

NEW CONSTRUCTION



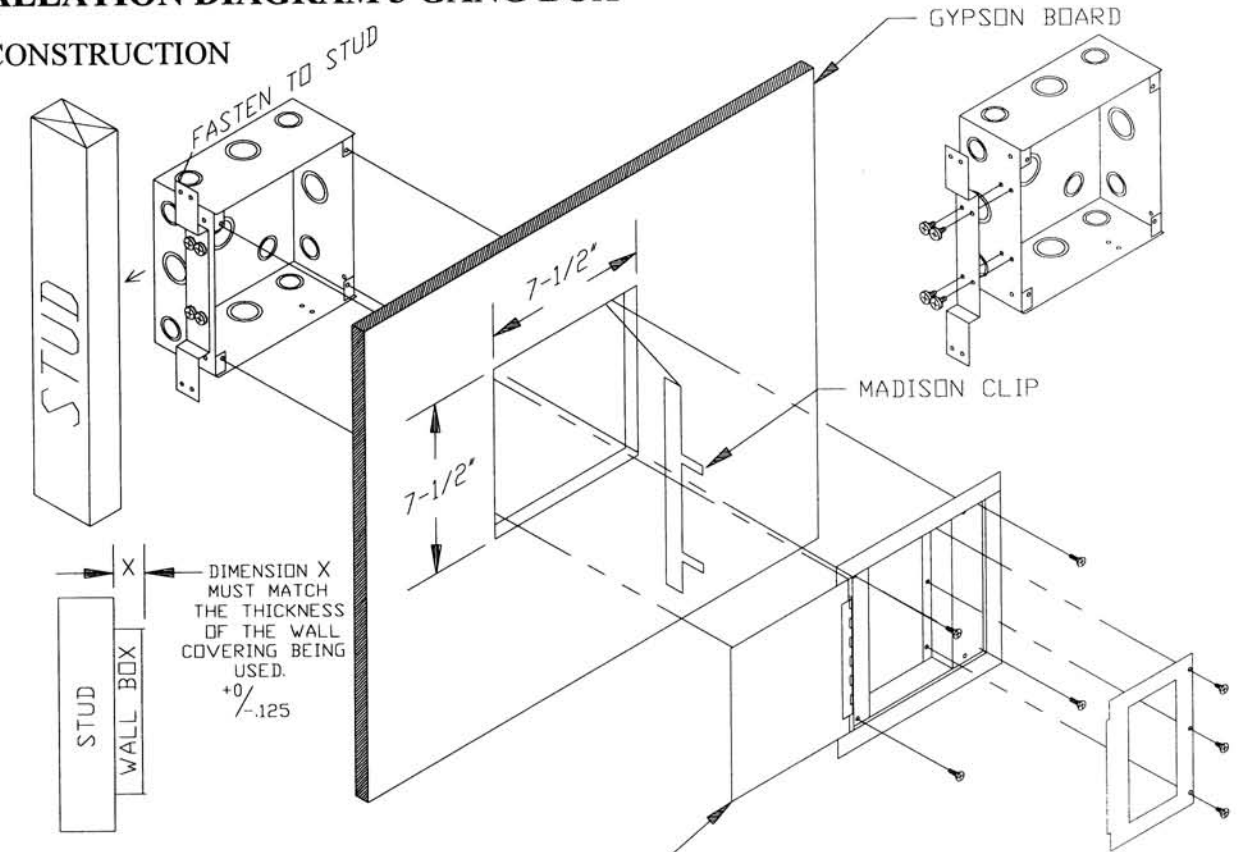
ROTATE DOOR ASSEMBLY FOR DESIRED OPENING

OLD CONSTRUCTION



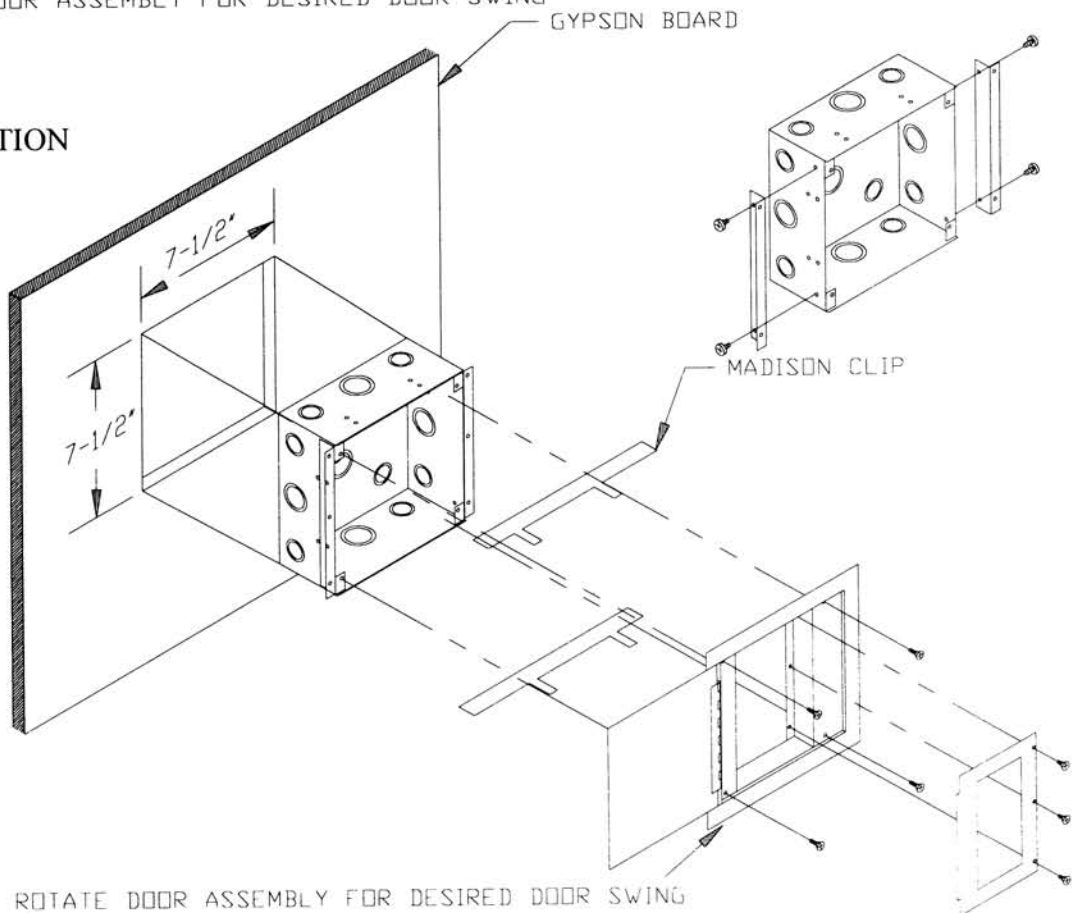
INSTALLATION DIAGRAM 3 GANG BOX

NEW CONSTRUCTION

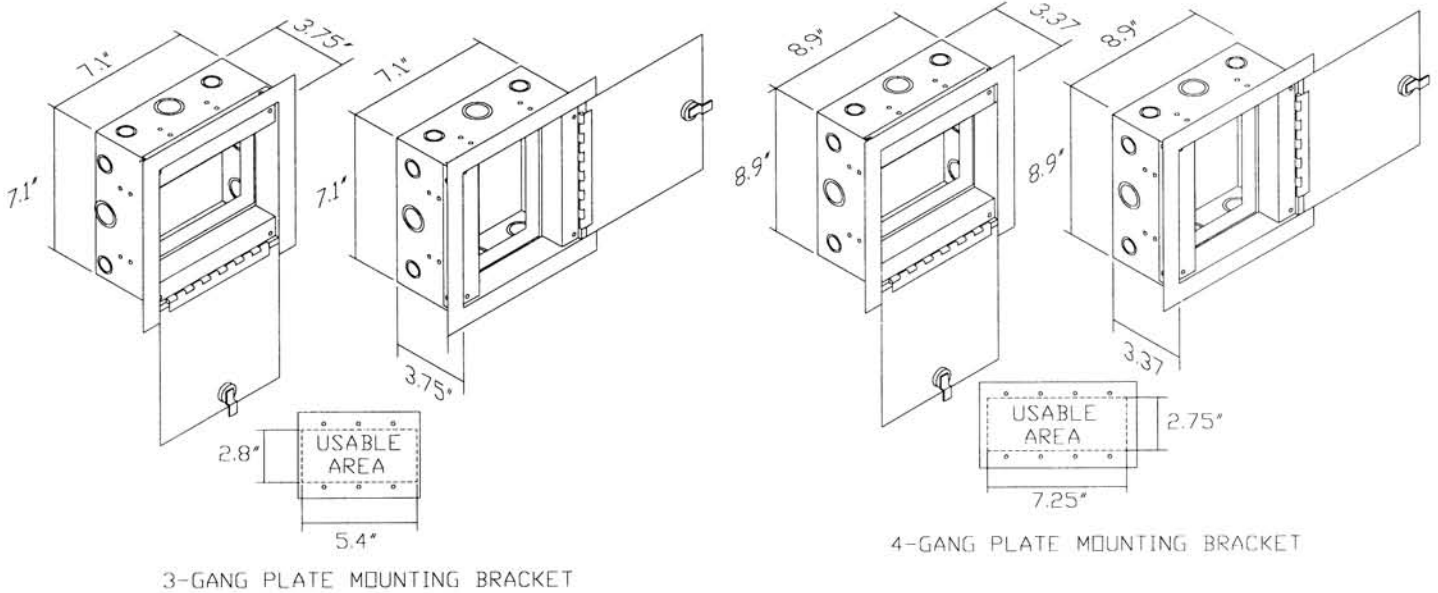


ROTATE DOOR ASSEMBLY FOR DESIRED DOOR SWING

OLD CONSTRUCTION



ROTATE DOOR ASSEMBLY FOR DESIRED DOOR SWING

PLATE MOUNTING DETAILS**MOUNTING**

Follow the mounting diagram on the preceding pages to install the box in the desired location.

- Back box can be rotated for knockout convenience .
- 1 1/2 foot cable tails should be provided when pulling wires.
- Verify door swing direction before mounting cover.
- Follow local electrical codes.

ORDERING INFORMATION

Each wall box comes complete with all mounting hardware and screws including a standard switchplate. The options for ordering wall boxes are:

Size - 3 gang Finish - White Baked Enamel
 4 gang

Please order using the following part numbers:

WB-3G (or 4G)-W For White Baked Enamel Finish