



## SPECIFICATIONS

<b>Loudspeaker Type:</b>	2-way horn loaded coaxial, weather-resistant
<b>Operating Range:</b>	90 Hz to 16 kHz 110 Hz to 10 kHz (±4 dB)
<b>Max Input Ratings:</b>	200W continuous, 500W program 40 volts RMS, 89 volts momentary peak
<b>Recommended Power Amplifier:</b>	420W to 600W @ 8 ohms
<b>Sensitivity (1W/1m):</b>	104 dB SPL (100 Hz to 16 kHz 1/3 octave bands) 105 dB SPL (250 Hz to 4 kHz speech range)
<b>Maximum Output:</b>	127 dB SPL / 134 dB SPL (peak)
<b>Nominal Impedance:</b>	8 ohms
<b>Minimum Impedance:</b>	5.7 ohms @ 230 Hz
<b>Nominal -6dB Beamwidth:</b>	80° H (+0° / -49°, 1 kHz to 16 kHz) 35° V (+4° / -10°, 1 kHz to 16 kHz) 100° H x 100° V (400 Hz)
<b>Axial Q / DI:</b>	29.7 / 14.7, 1 kHz to 16 kHz
<b>Crossover Frequency:</b>	1.2 kHz
<b>Recommended Signal Processing:</b>	90 Hz high pass filter
<b>Drivers:</b>	LF 1 x 12" weather-treated, Ferrofluid-cooled HF 1 x 1" exit, titanium diaphragm
<b>Driver Protection:</b>	PowerSense™ DDP
<b>Input Connection:</b>	12 foot (4 m) SJOW #16 gauge
<b>Controls:</b>	None
<b>Enclosure:</b>	Hand-laminated fiberglass, gray gelcoat
<b>Mounting/Rigging Provisions:</b>	(5) 1/2-13 rigging points
<b>Grille:</b>	3-layer Weather-Stop™ grade 304 stainless steel
<b>Required Accessories:</b>	90 Hz high pass filter
<b>Supplied Accessories:</b>	SSYR1 grade 304 stainless steel mounting yoke
<b>Optional Accessories:</b>	TRC400 400-watt 70/100/140-volt transformer
<b>Dimensions—Height:</b>	24.75 inches (629 mm)
<b>Width:</b>	24.75 inches (629 mm)
<b>Depth:</b>	29 inches (737 mm)
<b>Weight (without yoke):</b>	47.5 lbs (21.5 kg)
<b>Weight (with yoke):</b>	55.5 lbs (25.2 kg)
<b>Shipping Weight:</b>	86.5 lbs (39.2 kg)



## APPLICATIONS

- Convention centers, ballrooms, arenas, malls
- Athletic fields, small arenas, athletic field houses
- Theme and amusement parks
- Fairgrounds, rodeos, air shows
- Racing tracks, skating rinks, swimming pools
- Electronic carillons
- Cruise ships
- Portable sound systems

## FEATURES

- Weather-resistant, all-fiberglass enclosure
- 3-layer Weather-Stop™ grille
- Pattern control to below 500 Hz
- High efficiency
- Integral mounting points
- High power passive crossover
- High-fidelity, full-range reproduction of music and speech
- Application-specific coverage pattern
- Included stainless steel mounting yoke for easy mounting and aiming
- Optional "indoor" version available with a black enclosure and no grille (model R1-94BNG)
- Five-year product warranty / Fifteen-year enclosure warranty

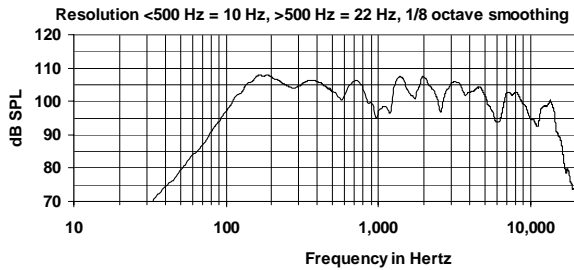
## DESCRIPTION

The R1-94Z two-way full-range loudspeaker system is engineered to provide quality full-range sound projection in a variety of outdoor and indoor applications. Its wide range, smooth frequency response and high efficiency ensures both high fidelity music reproduction and superb projection of clear intelligible speech with very low distortion. The R1 loudspeakers are available in two versions. The standard version is weather-ready, with a WeatherStop™ grille and stainless steel exterior. The BNG version, with black exterior and no grille, is more suitable for indoor applications. A stainless steel mounting yoke is included.

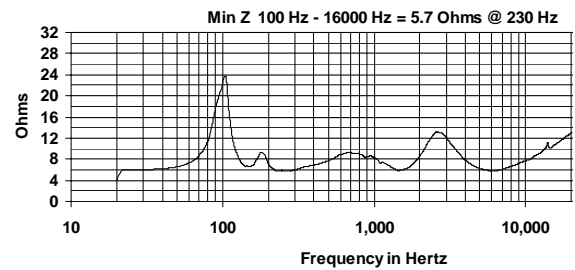
### NOTES:

1. Sensitivity: Free field pink noise measurement at 40 ft (12.2 m) at 25% power; extrapolated to 1 meter and an input of 2.83 volts RMS.
2. Watts: All wattage figures are calculated using the rated nominal impedance.

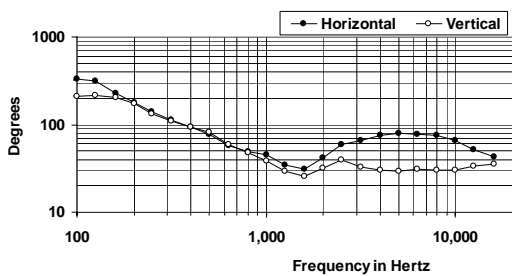
## FREQUENCY RESPONSE



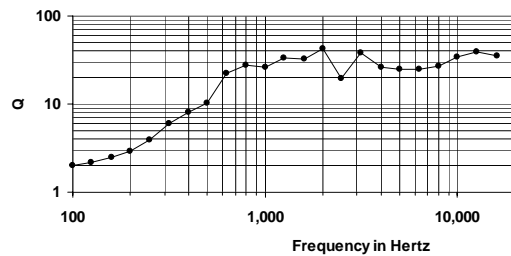
## IMPEDANCE



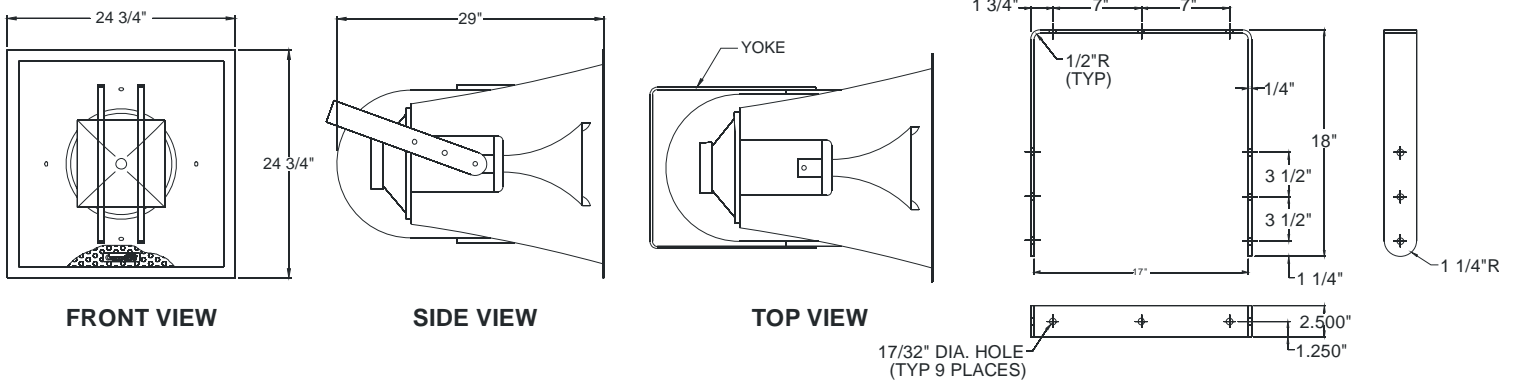
## BEAMWIDTH



## AXIAL Q



## DIMENSIONS



## ARCHITECTURAL SPECIFICATIONS

The loudspeaker system shall be a horn-loaded, two-way, full-range co-axial design with one 12" Ferrofluid-cooled woofer treated with moisture repellant on a bass horn and one 1" exit HF driver with a titanium diaphragm mounted on a fiberglass horn built within the bass horn. Drivers shall be connected to an integral crossover with a crossover frequency of 1200 Hz and integral over-current protection circuitry using high positive current coefficient resistors. The input connection shall be one 16-2 12-foot (4m) SJOW cable with stripped ends. The loudspeaker enclosure shall be an integral double-wall weather-sealed gray fiberglass bell with a 16-gauge perforated steel grille backed by open cell foam and a 100 x 100 wire sq. in. stainless steel mesh [no grille]. There shall be five 1/2 - 13 threaded mounting points. The system shall have an amplitude response of 110 Hz to 10 kHz (+/- 4 dB), input capability of 40V RMS, 105 dB sensitivity at one meter / 2.83 V and 8 ohms nominal impedance. The nominal dispersion shall be 80°H x 35°V from 1 kHz to 16 kHz. The loudspeaker shall be 24.75 in. (629 mm) H x 24.75 in. (629 mm) W x 29 in. (737 mm) D and weigh 47.5 lbs. (21.5 kg).

Community strives to improve its products on a continual basis. Specifications are therefore subject to change without notice.