

### Quality Features

- Choice of three Models with 15Amp circuit breaker.
- All include common mode transient voltage surge protection UL Listed 1449-2.
- Single receptacles on wide spacing accepts large power (wall warts).
- Includes a bag of cable ties to secure power supplies.
- White receptacles are easy to locate in a dark cabinet

### Surge Protection Specifications

**Suppressed voltage rating** ....400V  
**Energy dissipation** .....450 Joules (8 x 20us waveform)  
**Lines protected**.....L-G, L-N, N-G  
**Maximum surge** .....6000V  
**Maximum peak current** .....6500 Amperes (L-G, L-N, N-G)  
**Response time** .....Less than one (1) nanosecond  
**Noise filtering** .....EMI / RFI  
**Indicator**.....LED is on when protection is active

See also ACSP2004 normal mode (L-N) surge protectors with AC power distribution capability in the 'AC Surge Protection' section.

### Description

ACS Series power strips are 15A relocatable devices that provide convenient access to power in racks and cabinets. They feature easy vertical installation in cabinets with adjustable or fixed mounting rails using a mounting clip and screw. Selection includes models with six, twelve, or twenty-four single outlets and plug-in termination.

ACS Series is UL Listed and features single receptacles with wide spacing to accept power supplies large or small. Lowell includes a bag of 14" long cable ties to securely support larger/heavier supplies in a vertical rackmount installation. Each receptacle is white for easy visibility inside a dark cabinet. Model ACS-1506 has six receptacles and measures 20"L, ACS-1512 has twelve and is 32"L, ACS-1524 has 24 receptacles and is 60"L. All three sizes include common mode transient voltage surge suppression (UL 1449-2 Listed) with an LED indicator and a 15 Amp circuit breaker.

### A & E Specifications

UL Listed power strip shall be Lowell Model \_\_\_\_\_ (ACS-1506, ACS-1512, ACS-1524). Power rating shall be 15A with circuit breaker protection and an LED indicator that is lit when protection is active. The power strip shall have a suppressed voltage rating of 400V with maximum surge at 6000V and 6500 Amperes maximum peak current. Power strip shall include \_\_\_\_\_ (six, twelve, twenty-four single) outlets spaced to accept power supplies. It shall be terminated with a \_\_\_\_\_ (six foot, twelve foot) cord and molded plug. It shall install using mounting clips and screws to adjustable or fixed rail cabinets.

Model	Power Rating	Outlets	Termination	Surge Suppression*	Overcurrent Protection	Size
ACS-1506	15A, 125 VAC	6 Single - 125 VAC	6ft. cord	Yes - UL1449-2 400V rating Max. surge 6000V	Circuit breaker	20"L x 1.5"W x 1.625"H
ACS-1512	15A, 125 VAC	12 Single - 125 VAC	12ft. cord	Yes - UL1449-2	Circuit breaker	32"L x 1.5"W x 1.625"H
ACS-1524	15A, 125 VAC	24 Single - 125 VAC	12ft. cord	Yes - UL1449-2	Circuit breaker	60"L x 1.5"W x 1.625"H

\* Common mode (L-G, L-N, N-G) surge suppressor for transient voltage meets UL1449-2.



# ACS Series

## AC Power Strips - 15A - with Cordset

# P O W E R

AC Rackmount  
19" EIA



AC Strips  
Rackmount  
Vertical

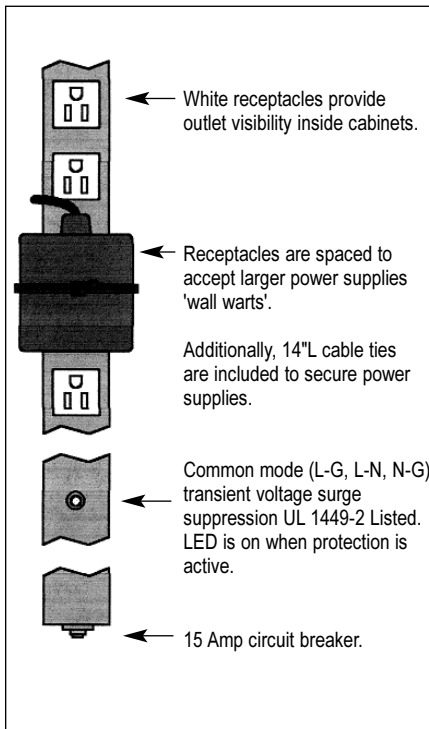
AC Loadcenters  
(sequenced)

AC Surge  
Protection  
/ Filtering

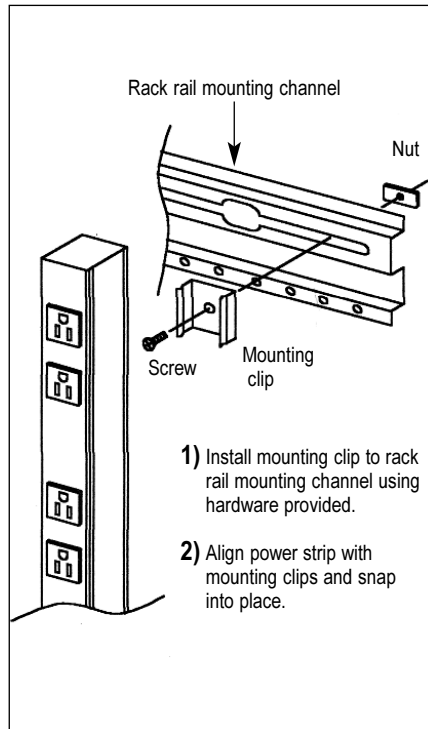
AC Remotely  
Controlled

Low Voltage  
Sequencers  
Accessories

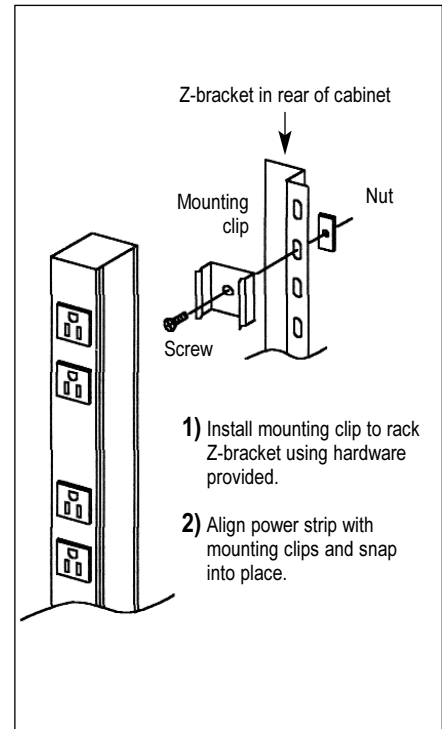
Strips with Cord



Features



Easy installation into Lowell cabinets and racks with adjustable mounting rails.



Easy installation into Lowell cabinets with fixed mounting rails.