

200LVC Series Volume Controls

The 200LVC Series volume controls with 200 watt power rating provide precise level adjustment of single or multiple speaker lines. The devices are available with standard Decora wall plate, or as a rackmount unit with a plastic adhesive dial. Controls feature phoenix-style easy-to-connect, plug-in screw termination strips for pre-wire convenience. Controls have a wire capacity up to 14-ga. Attenuation is 3dB per step with two positions of 6dB prior to OFF (as noted).

- Model 200LVC: stainless steel assembly mounts in two-gang E.O.Box with minimum depth requirement of 2.5 in. including mud ring (if used). For applications specifying durable, non-corrosive wall plate.
- Model 200LVC-DSB: Decora-style wall plate assembly (stainless steel with black plastic subplate) mounts in two-gang E.O.Box with minimum depth requirement of 2.5 in. including mud ring (if used). For applications specifying durable, non-corrosive wall plate.
- Model 200LVC-RMDB: rackmount assembly with Decora subplate, for installation in Lowell rackmount panel model D8P-ID-3 or D9P-ID-3. Due to assembly's 2.25 in. width, units cannot be installed side by side in either panel. They can be installed in every other position, with room to install a narrower device between them.
- Model 200LVC-RM: traditional rackmount assembly includes control unit with exposed shaft, knob and adhesive dial scale. For custom panel applications or for installation in Lowell rackmount panel model LVC8P-ID-2. Due to assembly's 2.25 in. width two units cannot be installed side by side but only in every other position, with a narrower device between them.



Model No. 200LVC: volume control with two-gang stainless steel wall plate.



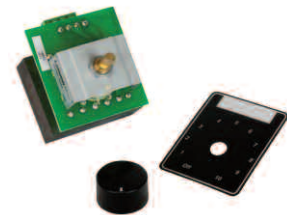
Model No. 200LVC-DSB: volume control with Decora® stainless steel wall plate, black subplate.

A & E Specifications

The volume control shall be Lowell Model _____ with a power rating of 200W and attenuation of 3dB per step with two 6dB positions before OFF. The control shall have plug-in termination for up to 14 gauge wire for 70V or 100V input connections from the amplifier and 70V or 100V output to the speaker/transformer assemblies. Plate style shall be _____ (2-gang stainless steel, 2-gang Decora stainless steel with black subplate, rackmount with Decora-style black subplate, or rackmount with exposed shaft, knob and adhesive dial scale). Two gang stainless steel plate Model 200LVC or decora Model 200LVC-DSB shall mount in a standard 2-gang E.O. Box (by others) with a minimum depth of 2.5 in. including mud ring (if used). Rackmount decora-style Model 200LVC-RMDB shall mount in Lowell panel D8P-ID-3 or D9P-ID-P in alternating positions as noted (panel order separately). Traditional rackmount Model 200LVC-RM shall mount in LVC8P-ID-2 in alternating positions as noted (panel order separately) or in custom panel applications.



Model No. 200LVC-RMDB: Volume control with Decora®-style black subplate mounts to Lowell rackmount panel Model No. D8P-ID-3 or D9P-ID-3 (order separately).



Model No. 200LVC-RM: Volume control with exposed shaft, knob and adhesive dial scale for custom panel or Lowell rackmount panel Model No. LVC8P-ID-2 (order separately).

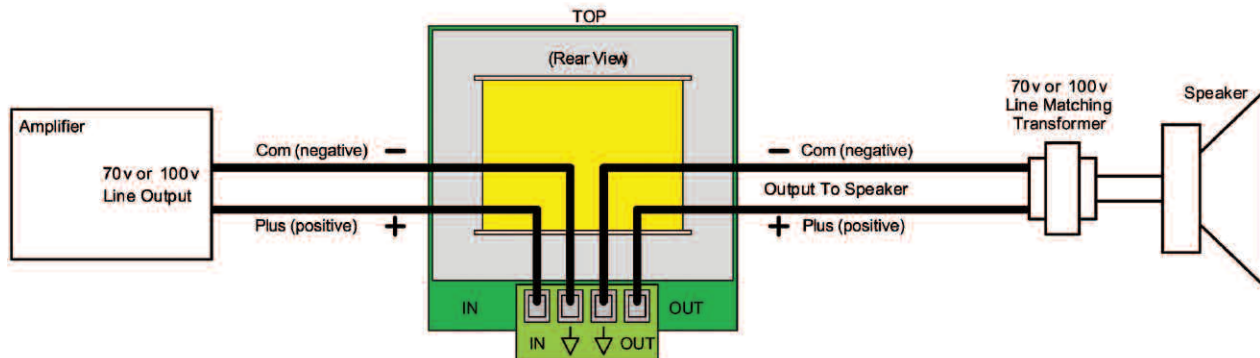
Model Numbers

Model No.	Rating	Power Type	Type	Switch Positions	Switch Step / Total	Attenuation Type	Mount to (not included)
200LVC	200W	Auto-trans	Rotary	10-off	3dB / 33dB*	2-gang Stainless steel	2-gang 2.5"D box
200LVC-DSB	200W	Auto-trans	Rotary	10-off	3dB / 33dB*	2-gang Decora ss/black subplate	2-gang 2.5"D box
200LVC-RMDB	200W	Auto-trans	Rotary	10-off	3dB / 33dB*	Rackmount with decora subplate	D8P-ID-3 or D9P-ID-3
200LVC-RM	200W	Auto-trans	Rotary	10-off	3dB / 33dB*	Rackmount with adhesive dialscale	LVC8P-ID-2

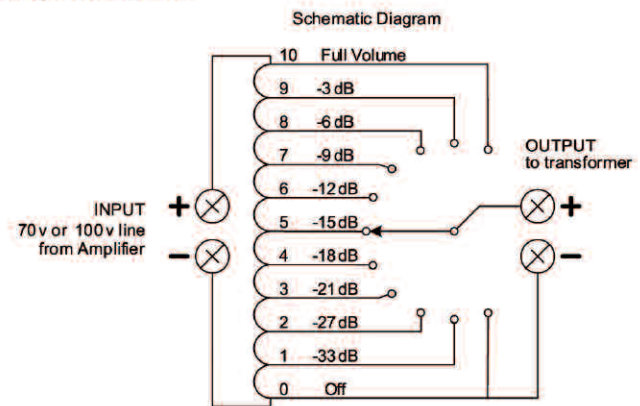
*Models have two steps of 6dB each before off.

Wiring Instructions

Minimum depth of E.O. box must be 2-1/2 inches including mud ring (if used).



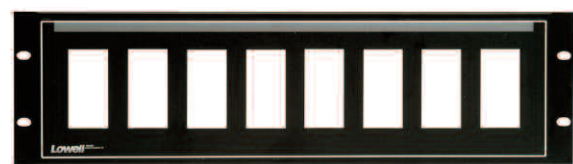
Note: Units manufactured before May 2014 had terminals located at the top. When connecting either version be sure to observe INPUT/OUTPUT and polarity designations.



Optional: (order separately)

Lowell punched panels for LVC series volume controls feature a rear facing flange for wire management and Pocket-ID® window to hold 1/2 inch paper labels for identification of each volume control.

- Model D8P-ID-3 will mount up to four (200LVC-RMDB) volume controls if they're mounted in every other position. This allows 1.625 in. space between controls to mount 'other' narrower Decora devices.
- Model D9P-ID-3 will mount up to five (200LVC-RMDB) volume controls if they're mounted in every other position. This allows 1.375 in. space between controls to mount 'other' narrower Decora devices.
- Model LVC8P-ID-2 will mount up to four (Model 200LVC-RM) volume controls if they're mounted in every other position. This allows 1.625 in. space between controls to mount 'other' narrower Decora devices. *The adhesive dial scale that comes with each volume control can be discarded when VC is mounted in this panel.*



Model No. D8P-ID-3 (3RU)



Model No. D9P-ID-3 (3RU)



Model No. LVC8P-ID-2 (2RU)