

Features

- Wall shelf ships flat and folds out.
- Supports up to 100 lbs.
- Choice of three depths.
- Mounts on 16" stud centers.
- Side openings are spaced for single gang, stud-mounted conduit boxes.
- Center opening allows versatile wire access and placement over existing outlets and fixtures.
- Pre-punched cable lacing and accessory mounting holes provide field versatility.

Description

Lowell's FS Series wall shelves are engineered to ship flat and fold out ready-for-use. Innovative design is completely assembled for cost-effective installation yet ships flat in a compact carton for economical shipping and convenient warehousing. Shelves support up to 100 lbs and are available in 14", 16" and 20" depths.

Installation of Lowell's FS Series shelves is literally a snap. The shelf arrives fully assembled in folded position. To mount, simply rotate the rear panel 90° so that the front panel flanges insert into the rear panel cutouts. This fully open/service position will provide secure support for up to 100 lbs. of equipment when properly mounted to the wall. Keyhole mounting slots are on 16" stud centers and are slotted so that the shelf may be inverted to meet application requirements.

To facilitate organized wire management and a clean presentation of equipment, the top of the shelf includes two oblong cutouts size 2.5"L x 1.25"W for cable drop-down. The wall side of the shelf includes a large center opening for versatile wire access and placement over existing outlets and fixtures. Side openings are spaced for single gang, stud-mounted conduit boxes. Additionally, there are cable lacing points and pre-punched mounting holes between center and side openings to provide field versatility.

The shelf also features a front retaining lip that is flanged for strength. Assembly is 16ga US steel with a durable black powder epoxy finish.



No Assembly Required!

FS Series - ships and stores flat



FS Series folds out to open position
(requires no assembly, supports up to 100 lbs.)

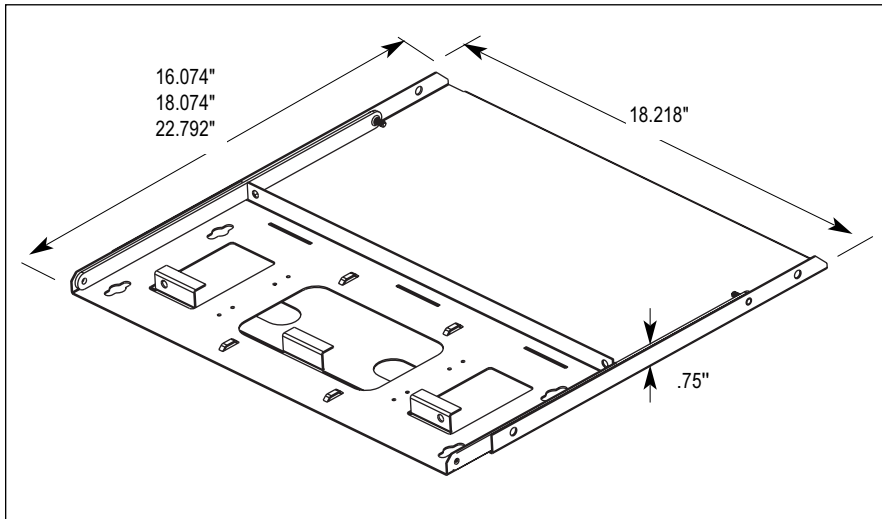


Economical solution for wall mounting audio, video, or computer equipment.

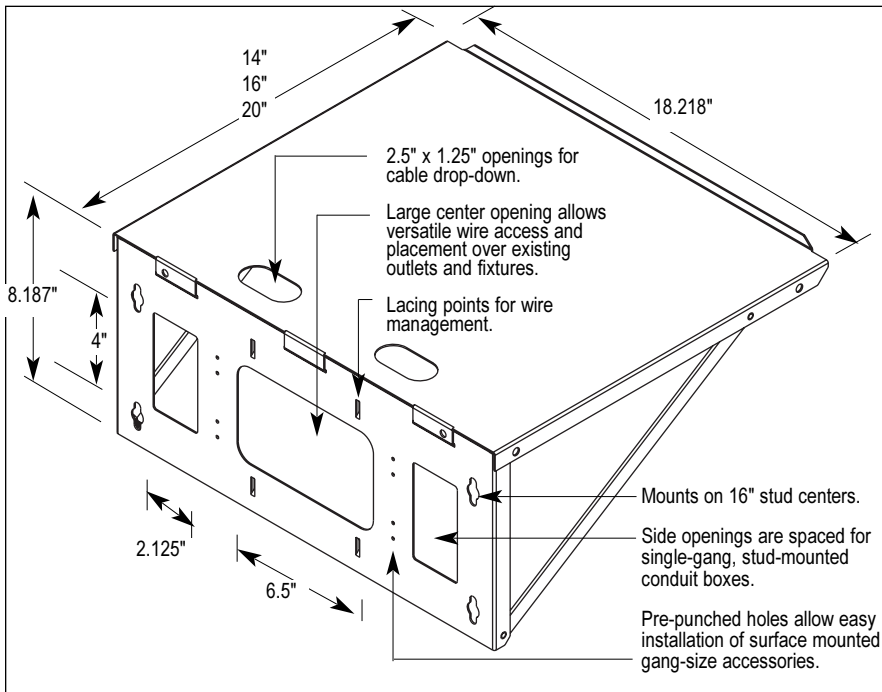
***Ships for Less!
Stores for Less!
Installs for Less!***

SHELF SPECIFICATIONS

Model	Height	Width	Depth	Load	Color
FS18-14	8.244"	18.218"	14"	100 lbs.	Black
FS18-16	8.244"	18.218"	16"	100 lbs.	Black
FS18-20	8.244"	18.218"	20"	100 lbs.	Black



Dimensions - folded shipping/storage position



Dimensions - open/service position

A & E Specifications

The wall shelf shall be Lowell Model _____ FS18-14, FS18-16(W), FS18-20 or equivalent. Shelf shall require no field assembly and shall measure 8.187"H x 18.218"W x _____"D (14", 16", 20") in open/service position and fold flat for shipping and storage. Wire management shall be provided on the top surface using two oblong cutouts measuring 2.50L" x 1.25W". Top shall also include a retaining lip. Shelf shall support up to 100 lbs. when properly mounted (mounting hardware by others). Keyhole mounting slots on 16" centers are provided in the rear panel. Rear panel shall also have a large center opening for mounting the shelf over existing fixtures and side openings to accommodate single-gang stud-mounted conduit boxes. Rear panel shall also be pre-punched for mounting accessories and lacing cable as needed. Shelf shall be finished in black powder epoxy.

Open Frame Floor

Solid Side Floor & Desk

Wallmount Surface & Recessed

Panels & Accessories

Thermal & Wire Mngmt