



RPSW2-MP

RPSW2-MKP



RPSB2-MKP

RPSB2-MP



RPSB-MR

### Description

Lowell's RPS Series switch assemblies provide a low cost/low voltage method of remotely activating equipment that is connected to a remote power control such as Lowell RPC Series or a wide variety of sequence controllers (see page 2 for companion accessories). To meet installation requirements, switches are offered in wall plate (Decora-style) and 1RU rackmount versions. Additionally, both styles are available with MOMENTARY (normally open) closure for applications where multiple switches are used to turn equipment on or off; or MAINTAINED closure for single switch applications. All models include one or two status LED's and rocker or security keyswitch actuation device. Rear connections for wall plate and rackmount styles are termination strips with a wire capacity up to 18 gauge.

### Wall Plate Models

RPS Series decora style wall plate switches may be ordered with a white or black subplate and companion wall plate. Black models are also ideal for use with Lowell's RMP Series rackmount panels with pre-punched (blank) openings for decora-style devices (see page 2).

### Rackmount Models

RPS Series rackmount switch assemblies are 19"W x 1RU (1.75"H) steel panels with one (1) factory installed switch.

*Note: If more than one switch is needed in a 1RU panel, consider building a custom panel by ordering one of Lowell's rackmount panels with pre-punched (blank) openings and mounting the needed quantity of decora-style wall plate switches. Panels will also accept other low voltage decora-style devices (see page 2).*

### A&E Specifications

Switch assemblies for low voltage remote activation of equipment shall be Lowell's RPS Series Model \_\_\_\_\_. Switch assemblies shall operate in conjunction with a remote power control or sequential power control (order separately). Switches shall be \_\_\_\_\_ (decora-style wall plate, 1RU rackmount) with \_\_\_\_\_ (momentary, maintained) closure. Switches shall include one or two status LED's and rocker or security keyswitch actuation device. Rear connections termination strips shall have a wire capacity up to 18 gauge.

Momentary Model(SPST) (Multiple switch applications)	Maintained Model(SPST) (Single switch applications)	LED Qty	Decora Wall Plate Size/ Color	Rackmount Chassis	Switch Style
<b>Wall Plate Models</b>					
RPSB-M-P	RPSB-P	1	1ga black*	---	Rocker
RPSB-M-K-P	RPSB-K-P	1	1ga black*	---	Keyswitch
RPSW-M-P	RPSW-P	1	1ga white	---	Rocker
RPSW-M-K-P	RPSW-K-P	1	1ga white	---	Keyswitch
RPSB2-M-P	---	2	1ga black*	---	Rocker
RPSB2-M-K-P	---	2	1ga black*	---	Keyswitch
RPSW2-M-P	---	2	1ga white	---	Rocker
RPSW2-M-K-P	---	2	1ga white	---	Keyswitch
---	RPSB-KP-ASM**	1	1ga black	---	Keyswitch
---	RPSW-KP-ASM**	1	1ga white	---	Keyswitch
<b>Rackmount Models</b>					
RPSB-M-R	RPSB-R	1	---	19"W x 1RU	Rocker
RPSB-M-K-R	RPSB-K-R	1	---	19"W x 1RU	Keyswitch
RPSB2-M-R	---	2	---	19"W x 1RU	Rocker
RPSB2-M-K-R	---	2	---	19"W x 1RU	Keyswitch

\* May also be used with Lowell's RMP Series rackmount panels with pre-punched decora cutouts; discard wall plate.

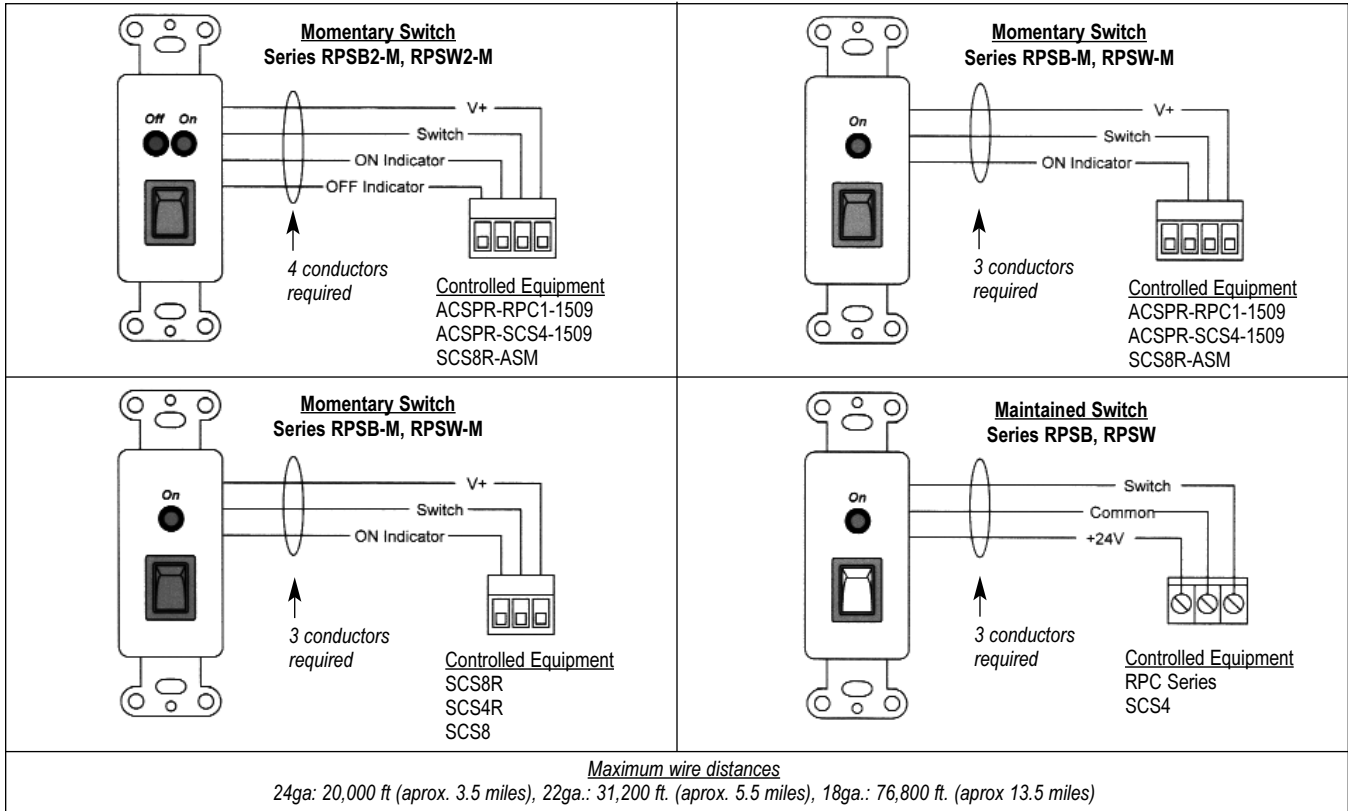
\*\* For use with sequencer Model SCS8R-ASM in alternate sequence mode.



# RPS Series

## Switches with Maintained and Momentary Closure

**P O W E R**



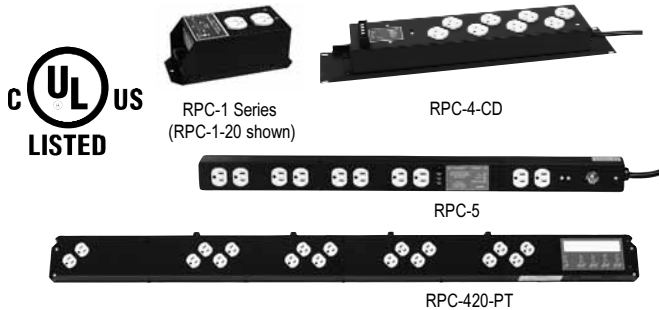
AC Rackmount 19" EIA  
AC Strips Rackmount Vertical  
AC Loadcenters (sequenced)

AC Surge Protection / Filtering

AC Remotely Controlled

Low Voltage Sequencers Accessories

Switches



### Lowell Accessory Devices (order separately)

#### Remote Power Controls- UL Listed

<b>RPC-1*</b>	Pwr cntrl 15A 1 dplx 7.5x3.25x1.75 6ft cd
<b>RPC-1-20A-CD*</b>	Pwr cntrl 20A 1 dplx 7.5x3.25x2.75 6ft cd
<b>RPC-1-30A-MC*</b>	Pwr cntrl 30A 1 twist lock 7.5x3.25x2.75 6ft whip
<b>RPC-1-IG-MC*</b>	Pwr cntrl 20A 1 iso dplx 7.5x3.25x2.75 6ft whip
<b>RPC-1-TVSS-CD*</b>	Pwr cntrl 20A 1 dplx 7.5x3.25x2.75 surg 6ft cd
<b>RPC-4-CD*</b>	Pwr cntrl 15A 4 dplx 2RU pnl 6ft cd
<b>RPC-5-CD*</b>	Pwr cntrl 20A 5 dplx-4sw-1unsw 30x2x2 6ft cd
<b>RPC-420-PT*</b>	Pwr cntrl 4 20A circuits 9 dplx-1unsw 56x4x2 pgtl

\*Use with MAINTAINED SWITCHES unless Model MSM momentary switch module is added for multiple switch applications.

#### Remote Power Controls

**with Surge Suppression- ETL Listed (use with MOMENTARY SWITCHES)**

<b>ACSPR-RPC1-1509</b>	Pwr cntrl 15A 6sw-3unsw 1RU surge supp
<b>ACSPR-RPC1-1509K</b>	Pwr cntrl 15A 6sw-3unsw 1RU surge supp key

**Power Panels with Sequence Control (use with MOMENTARY SWITCHES)**

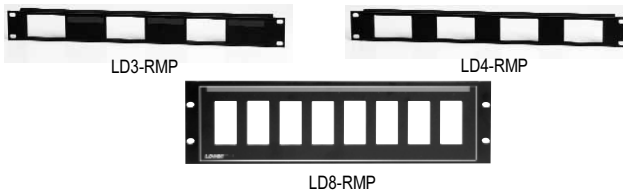
<b>ACSPR-SCS4-1509</b>	Pwr pnl 15A 6sw-3unsw + 4ch seq1RU surge supp
<b>ACSPR-SCS4-1509K</b>	Pwr pnl 15A 6sw-3unsw + 4ch seq 1RU surge supp key

**Sequence Controllers (use with MOMENTARY SWITCHES & Maintained ASM Switch)**

<b>SCS8R-ASM</b>	Pwr seq cntrl 8ch 1RU key + alt seq mode
<b>SCS8RK-ASM</b>	Pwr seq cntrl 8ch 1RU rkr + alt seq mode

**Sequence Controllers (use with MOMENTARY SWITCHES)**

<b>SCS4R</b>	Pwr seq cntrl 4ch 1RU key
<b>SCS4RK</b>	Pwr seq cntrl 4ch 1RU rkr



#### Rackmount Panels with Blank Decora Cutouts

<b>LD3-RMP</b>	Rack panel 1RU for up to 3 decora devices PocketID
<b>LD4-RM</b>	Rack panel 1RU for up to 4 decora devices
<b>LD8-RMP</b>	Rack panel 3RU for up to 8 decora devices PocketID
<b>LD9-RMP</b>	Rack panel 3RU for up to 9 decora devices PocketID
<b>DBB-4</b>	Blank decora black plates-4pack to fill unused positions