

Description

Lowell's conically shaped 8XD4 Series backboxes are engineered to accommodate an 8" speaker in either new or existing construction. The slightly tapered, conical shape allows these backboxes to be stacked for space efficient storage and transit. Popular series mounts a wide selection of Lowell grilles and mounting accessories (see page 2).

Series 8XD4 backboxes are seamless 22-gauge electro-galvanized steel construction with a polyurethane foam disc that meets UL flammability CAL-117. The disc is affixed to the bottom inside surface to reduce acoustic and mechanical resonance. Models are furnished with factory installed 8-32 screw retaining clips for grille mounting.

Model 8XD4 features four 1/2 - 3/4" knockouts spaced at 90 degrees. This model does not include mounting straps as it is designed for use in suspended ceilings.

Model 8XD4-S features four 1/2 - 3/4" knockouts spaced at 90 degrees and four flexible perforated mounting straps.

Model 8XD4-P is supplied with a single 1/2" planished knockout on the top to preserve the leak-free integrity of the backbox in return air plenums.

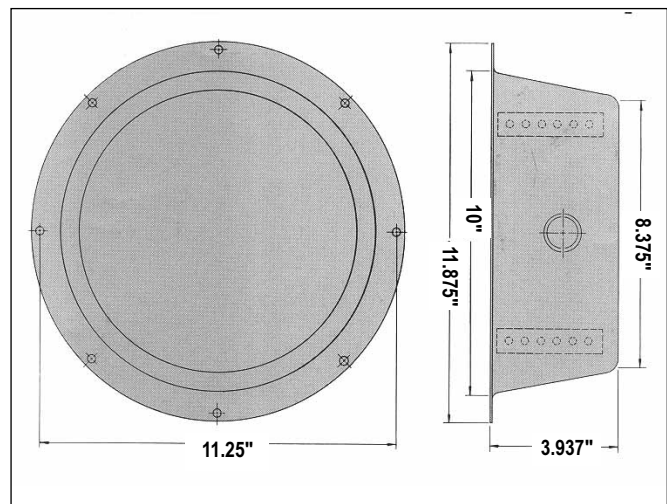
A & E Specifications

The recessed backbox for 8" speaker drivers shall be conically shaped Lowell Model _____ (8XD4, 8XD4-S, 8XD4-P). The backbox shall be fabricated of drawn electro-galvanized steel. It shall include a polyurethane foam disc that is UL listed to meet flammability CAL-117 for resonance and vibration control. Model 8XD4 shall include four 1/2 - 3/4" knockouts spaced at 90 degrees. Model 8XD4-S shall include four 1/2 - 3/4" knockouts spaced at 90 degrees and four flexible perforated mounting straps. Model 8XD4-P shall include a single 1/2" planished knockout on the top to preserve the leak-free integrity of the backbox in return air plenums. Backbox shall mount Lowell grille Model _____. For suspended ceiling applications, tile bridge Model _____ shall be used.



8XD4

Conically shaped backboxes stack for space efficient warehousing.



Dimensions for Series 8XD4

Note: Mounting straps are on Model 8XD4-S only.

Model	Mounts Speaker Size	Backbox Size*	Description	Mounts Grille (order separately-see page 2)
8XD4	8"	10"Dia. x 4"D	Galvanized steel, stacks for warehousing, 4 K.O.'s	
8XD4-S	8"	10"Dia. x 4"D	Galvanized steel, stacks for warehousing, 4 K.O.'s, flexible straps	A8-A(W), CS-8H, LO8-P, OM8-P,
8XD4-P	8"	10"Dia. x 4"D	Galvanized steel, stacks for warehousing, single K.O. on top for plenum	RS8-A(W), WB-8, WB-8H

* Diameter measurement is the outside of the backbox cylinder.

Note: Conical shape of the stacking 8XD4 backbox will not accept a driver with a magnet weight greater than 10 ounces and a mounted transformer with taps greater than 8-watts.

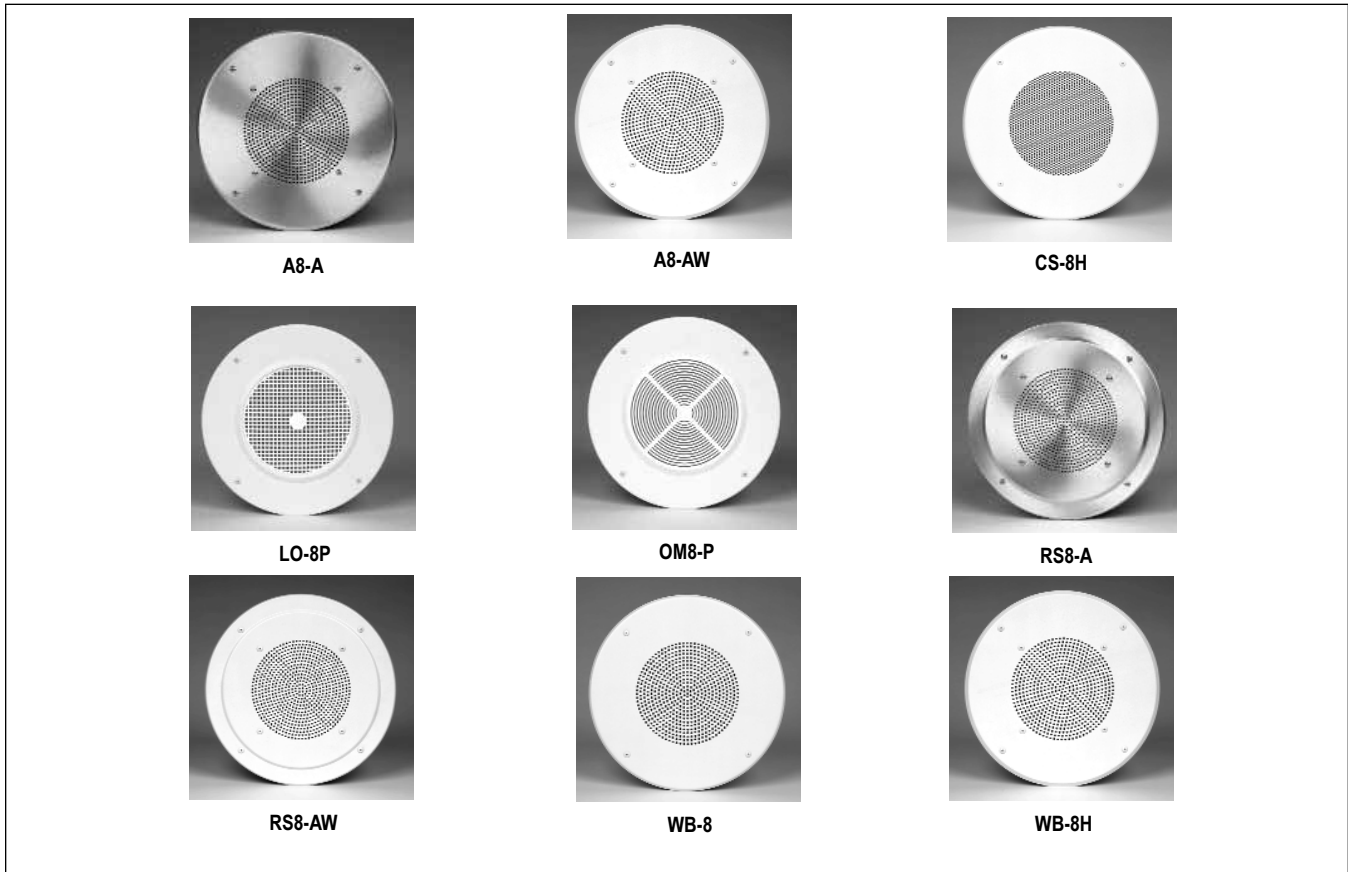


8XD4 Series

Recessed Protective Backboxes for 8" Speakers

AUDIO

Companion accessories for backbox Model Series 8XD4 (order separately)



12"/10"
Speakers & Accessories

8"
Speakers & Accessories

6"
Speakers & Accessories

4"
Speakers & Accessories

Horn
Speakers & Accessories

Masking
Speakers & Generators

Control
Accessories & Electronics

Backboxes - Recessed

Grille Details

Grille Model	Speaker Size	Grille Size	Type	Material	Color	Backbox	+	T-Bridge <small>(if required for suspended ceilings)</small>
A8-A	8"	12.875" Dia.	8 screws	Alum.	Brushed Alum.			
A8-AW	8"	12.875" Dia.	8 Screws	Alum.	White			
CS-8H	8"	12.875" Dia.	4 screws	Steel	White			
LO8-P	8"	12.625" Dia.	4 screws	Plastic	White			
OM8-P	8"	12.625" Dia.	4 screws	Plastic	White			
RS8-A	8"	12.625" Dia.	8 screws	Alum.	Brushed Alum			
RS8-AW	8"	12.625" Dia.	8 screws	Alum.	White			
WB-8	8"	12.875" Dia.	4 Screws	Steel	White			
WB-8H	8"	12.875" Dia.	8 Screws	Steel	White			

8XD4 Series LBS8 or LBS8-R1

Tile Bridge Details

LBS8	23.75"L	Square opening with screw or Twist n' Lock backbox mounting
LBS8-R1	23.75"L	Round opening with screw or Twist n' Lock backbox mounting

