



Middle Atlantic Products, Inc.

middleatlantic.com

SBX Series Wall Mount Enclosure

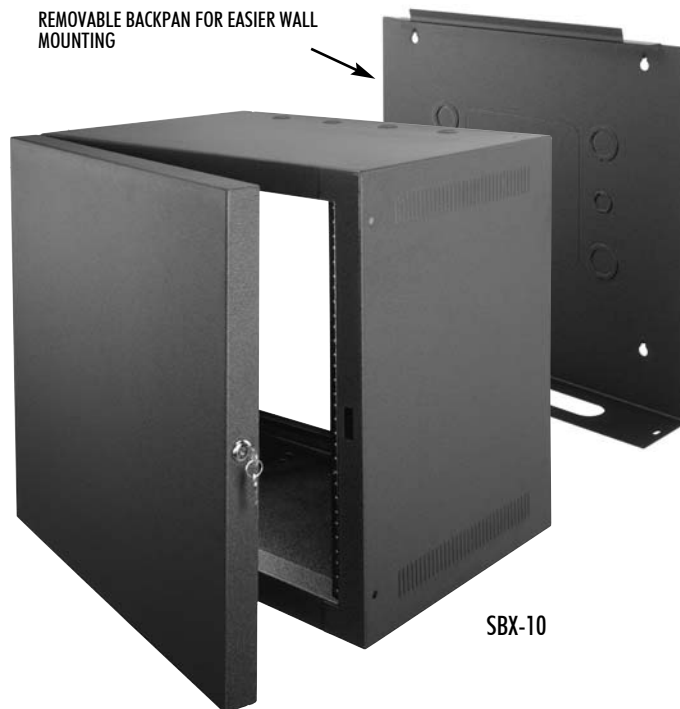
EIA Compliant

Economical wall mount rack for small systems

Features

- 7 space (12-1/4") and 10 space (17-1/2") racking height
- Removable backpan
- Standard locking front door swings 180 degrees
- Deep rail-to-door clearance provides flexibility unlike flush door designs
- Most rugged door hinge in the industry
- 11-gauge threaded rack rails
- Aesthetic perforations provide superior ventilation over louvered designs
- Large pull-box sized laser KO in backpan
- 1/2" and 3/4" electrical knockouts on top and bottom
- 1/2", 3/4", 1", and 1-1/2" electrical knockouts on rear
- 16 and 18-gauge fully welded construction
- 14-3/4" cabinet depth, 1-1/2" door depth
- Attractive and durable black textured powder coat finish

REMOVABLE BACKPAN FOR EASIER WALL MOUNTING



SBX-10

Architects' and Engineers' Specifications

EIA compliant 19" wall mount equipment rack shall be Middle Atlantic Products model # SBX-__ (7,10). Overall dimensions of rack shall be 22.3" W x 17" D x __ (15.5", 20.5") H with __ (7,10) rackspaces of useable height and 14.75" useable depth. Weight capacity of SBX-__ (7,10) shall be __ (75, 100) lbs. Rack shall be constructed of the following materials: top and bottom shall be 16-gauge steel, sides and door shall be 18-gauge steel, all rack elements shall be phosphate pre-treated and have a black powder coat finish. Rack shall come equipped with one pair of 11-gauge steel rackrail with tapped 10-32 mounting holes in universal EIA spacing with black e-coat finish and marked rackspaces. Rack shall include factory installed door with lock and key and security screws and security bit for tamper-proof backpan mating. Welded-on sides include vertical slotted vent pattern at top and bottom. Rack shall have four each on top and bottom 1/2" or 3/4" cable knockouts, and six cable knockouts on backpan, four 1-1/2" or 1", and 1/2" or 3/4". Rack shall be a two piece construction allowing for mounting of backpan to wall and preloading of rack, prior to installing rack to wall.

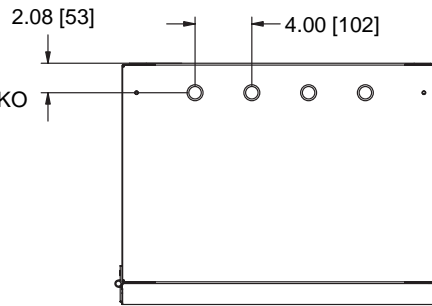
electronic version available at middleatlantic.com

Engineered Mounting Solutions for Low Voltage Applications

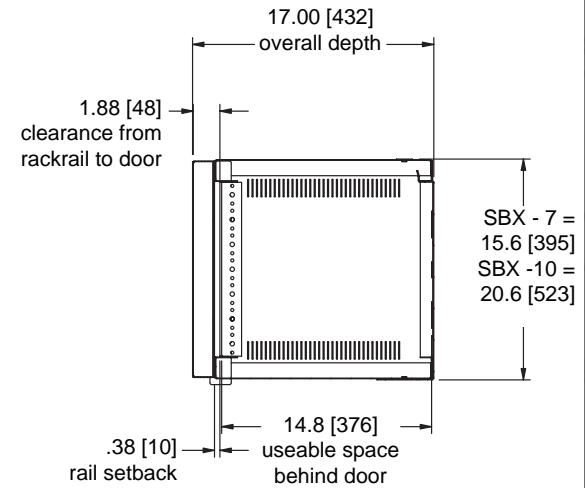
US: New Jersey • California • Illinois • Voice: 973-839-1011 Fax: 973-839-1976 • middleatlantic.com
 Canada: Ontario • British Columbia • Voice: 613-836-2501 Fax: 613-836-2690 • middleatlantic.ca

SBX Series basic dimensions

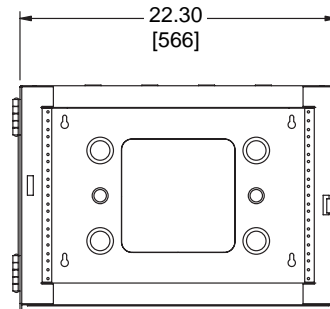
TOP VIEW



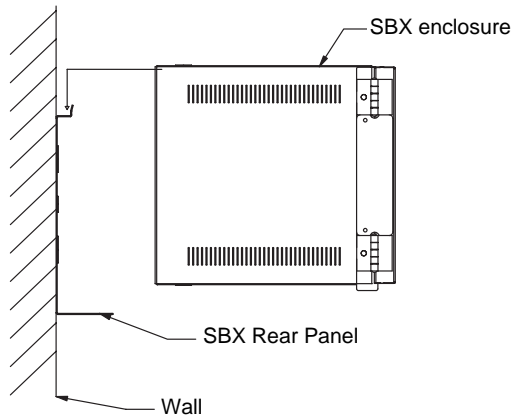
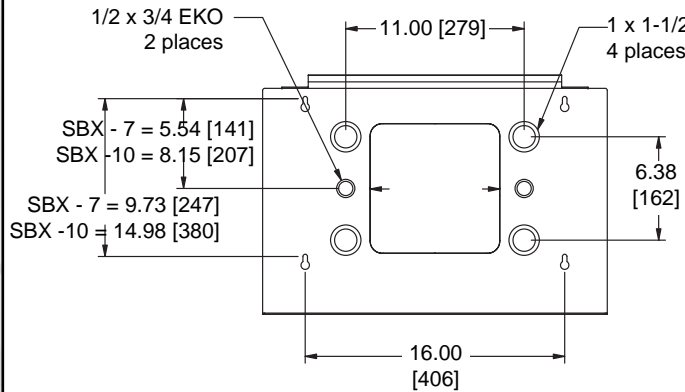
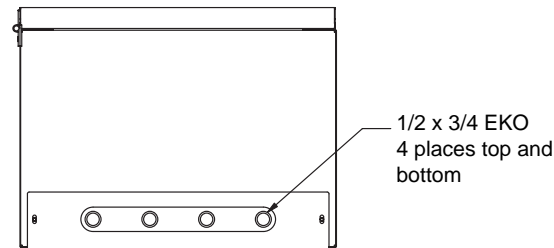
SIDE VIEW



FRONT VIEW



BOTTOM VIEW



**SIDE VIEW
(MOUNTING DETAIL)**

All dimensions in inches unless otherwise noted [All dimensions in bracket are in millimeters]

