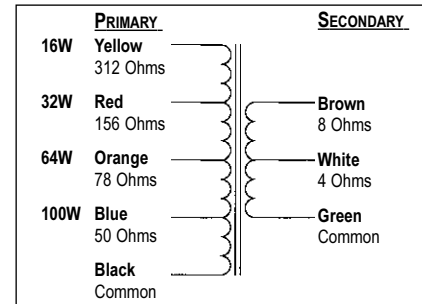
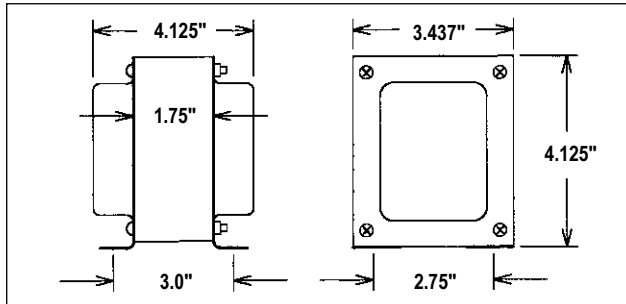


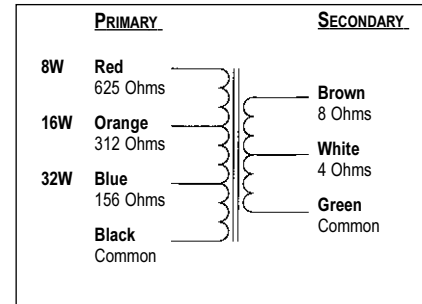
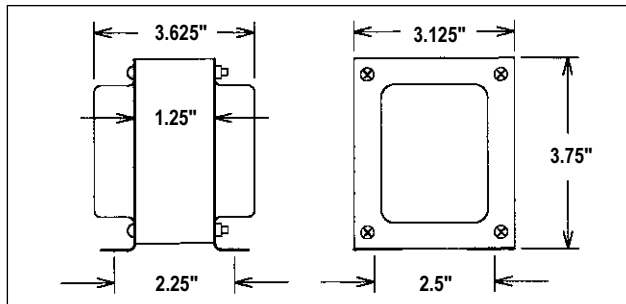
Description

Lowell's exclusive 20/20 AudioVision™ Series TLS transformers provide true 20Hz - 20kHz performance. The full frequency response of Series TLS, combined with its high power handling, allows the driver to operate at full potential while providing a stable load to the amplifier. The significance is that Series TLS transformers allow a distributed speaker system to sound imperceptibly the same as a "transformerless" direct to voice coil system with the benefit of easier wiring layout, less expensive wire, and reduced labor cost.



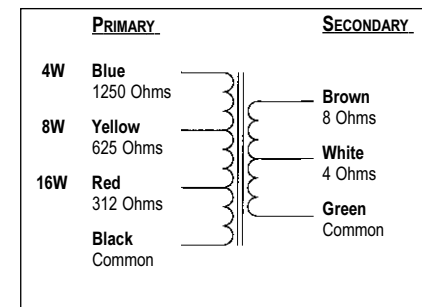
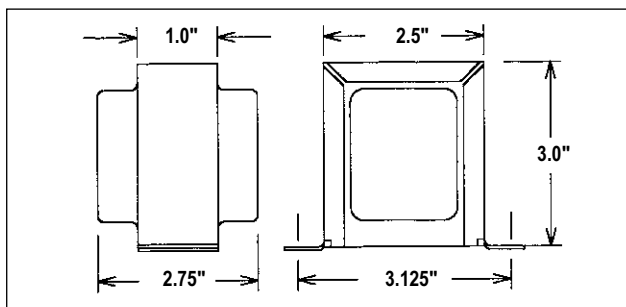
TLS10070

| Primary Voltage | Power Rating | Primary Taps | Secondary Impedance | Core Size | Insertion Loss | Frequency Response | Lead Length | Weight (lbs.) |
|-----------------|--------------|------------------|---------------------|----------------|----------------|----------------------|-------------|---------------|
| 70V | 100W | 100, 64, 32, 16W | 8, 4 Ohms | 1.375" x 1.75" | .6dB | 20Hz-20kHz \pm 1dB | 18" | 7.5 |



TLS3270

| Primary Voltage | Power Rating | Primary Taps | Secondary Impedance | Core Size | Insertion Loss | Frequency Response | Lead Length | Weight (lbs.) |
|-----------------|--------------|--------------|---------------------|---------------|----------------|----------------------|-------------|---------------|
| 70V | 32W | 32, 16, 8W | 8, 4 Ohms | 1.25" x 1.25" | .6dB | 20Hz-20kHz \pm 1dB | 18" | 4.7 |



TLS1670

| Primary Voltage | Power Rating | Primary Taps | Secondary Impedance | Core Size | Insertion Loss | Frequency Response | Lead Length | Weight (lbs.) |
|-----------------|--------------|--------------|---------------------|-----------|----------------|----------------------|-------------|---------------|
| 70V | 16W | 16, 8, 4W | 8, 4 Ohms | 1" x 1" | .6dB | 20Hz-20kHz \pm 1dB | 18" | 2.4 |



TLS Series

100W, 32W, and 16W Premium Performance Transformers

A
U
D
I
O

A&E Specifications

Line matching transformer shall be Lowell Model _____. Primary voltage shall be 70V with a power rating of _____ watts. Primary taps shall be available at _____ watts. Secondary impedance taps shall be available at 8-ohms and 4-ohms. All taps shall have color coded and clearly marked leads. Frequency response of the transformer shall be _____ with insertion loss not to exceed _____ dB.

LOWELL TRANSFORMER SPECIFICATION OVERVIEW

| Xfmr Model | Primary Voltage | Power Rating | Primary Taps | Secondary Impedance | Core Size | Insertion Loss | Frequency Response | Lead Length | Weight (lbs.) | Spec Sheet* |
|---|-----------------|--------------|-------------------|---------------------|----------------|----------------|-----------------------|-------------|---------------|-------------|
| Premium Performance Transformers | | | | | | | | | | |
| TLS10070 | 70V | 100W | 100, 64, 32, 16W | 8, 4 Ohms | 1.375" x 1.75" | .6dB | 20Hz-20kHz \pm 1dB | 18" | 7.5 | 2d-401 |
| TLS3270 | 70V | 32W | 32, 16, 8W | 8, 4 Ohms | 1.25" x 1.25" | .6dB | 20Hz-20kHz \pm 1dB | 18" | 4.7 | 2d-401 |
| TLS1670 | 70V | 16W | 16, 8, 4W | 8, 4 Ohms | 1" x 1" | .6dB | 20Hz-20kHz \pm 1dB | 18" | 2.4 | 2d-401 |
| High Performance Transformers | | | | | | | | | | |
| TLM10070A | 70V | 100W | 100, 64, 32, 16W | 8, 4 Ohms | 1.25" x 1.25" | .6dB | 50Hz-15kHz \pm 1dB | 18" | 4.45 | 2d-402 |
| TLM3270A | 70V | 32W | 32, 16, 8W | 8, 4 Ohms | 1" x 1.5" | .6dB | 50Hz-15kHz \pm 1dB | 18" | 3.2 | 2d-402 |
| TLM1670A | 70V | 16W | 16, 8, 4W | 8, 4 Ohms | .875" x 1.25" | .6dB | 50Hz-15kHz \pm 1dB | 18" | 2.0 | 2d-402 |
| TLM870 | 70V | 8W | 8, 4, 2, 1W | 8, 4 Ohms | .75" x .75" | .8dB | 50Hz-15kHz \pm 1dB | 8" | 0.9 | 2d-403 |
| TLM825 | 25V | 8W | 8, 4, 2, 1W | 8, 4 Ohms | .75" x .75" | .8dB | 50Hz-15kHz \pm 1dB | 8" | 0.9 | 2d-403 |
| TLM470 | 70V | 4W | 4, 2, 1, .5W | 8 Ohms | .625" x .625" | .8dB | 60Hz-15kHz \pm 1dB | 8" | 0.55 | 2d-403 |
| General Purpose Transformers | | | | | | | | | | |
| TLM72 | 70 / 25V | 4W | 4, 2, 1, .5, .25W | 8 Ohms | .5" x .5" | 1dB | 100Hz-10kHz \pm 1dB | 8" | 0.4 | 2d-404 |
| TLM70 | 70V | 4W | 4, 2, 1, .5, .25W | 8 Ohms | .5" x .5" | 1dB | 100Hz-10kHz \pm 1dB | 8" | 0.4 | 2d-404 |
| TLM25 | 25V | 4W | 4, 2, 1, .5, .25W | 8 Ohms | .5" x .5" | 1dB | 100Hz-10kHz \pm 1dB | 8" | 0.4 | 2d-404 |

*Refer to the corresponding specification sheet for each model to find dimensional drawings and color code diagrams.

12"/10"
Speakers & Accessories

8"
Speakers & Accessories


6"
Speakers & Accessories

4"
Speakers & Accessories

Horn
Speakers & Accessories

Masking
Speakers & Generators

Control
Accessories & Electronics

Transformers