



Middle Atlantic Products, Inc.

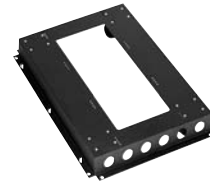
middleatlantic.com

Caster/Inner Platform Bases

EIA/TIA Compliant

Caster Base

- Available in commercial grade or for fine floors
- Durable black textured powdercoat finish
- Commercial grade caster base is UL listed in Canada and the U.S. (except Slim 5 models)
- Accommodates MRK, WRK, ERK and Slim 5 Series enclosures



CBS-WRK-32

Inner Platform Base

- Fits inside rack
- Mounts flush with bottom of rackspace
- Ideal for supporting heavy electrical equipment and mounting electrical boxes
- Accommodates MRK and WRK Series enclosures



BS-WRK-32

Architects' and Engineers' Specifications

CBS Commercial Grade Caster Base

Commercial grade caster base shall be Middle Atlantic Products model # CBS-___-___ to accommodate ___ Series ___" depth racks (refer to chart). Caster base shall be constructed of 11-gauge steel. Caster base shall be ___" H x ___" W x ___" D and have a weight capacity of ___ lbs. (refer to chart). Caster base shall have one knockout in the center of the base for cable pass-through measuring ___" W x ___" D (refer to chart). Caster base shall raise total rack height ___" (refer to chart). Caster base shall be finished in a durable textured black powder coat. Caster base shall be UL listed in the U.S. and Canada (except Slim 5 models). Caster base shall be warranted to be free from defects in material or workmanship under normal use and conditions for a period of 7 years.

CBS Fine Floor Caster Base

Fine floor caster base shall be Middle Atlantic Products model # CBS-___-___ R to accommodate ___ Series ___" depth racks (refer to chart). Caster base shall be constructed of 11-gauge steel. Caster base shall be ___" H x ___" W x ___" D and have a weight capacity of ___ lbs. (refer to chart). Caster base shall have one knockout in the center of the base for cable pass-through measuring ___" W x ___" D (refer to chart). Caster base shall raise total rack height ___" (refer to chart). Caster base shall be

finished in a durable textured black powder coat. Caster base shall be warranted to be free from defects in material or workmanship under normal use and conditions for a period of 7 years.

BS Inner Platform Base

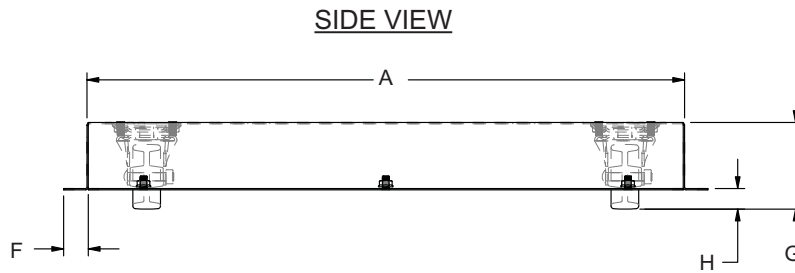
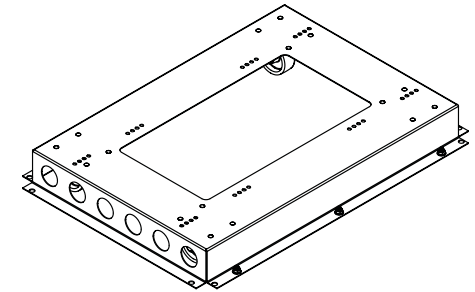
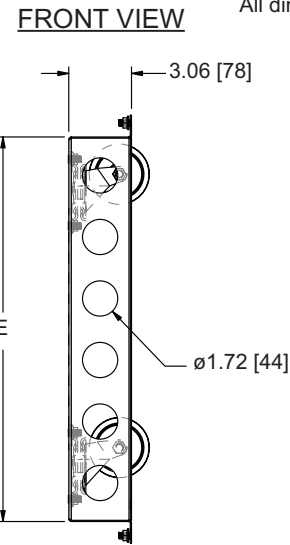
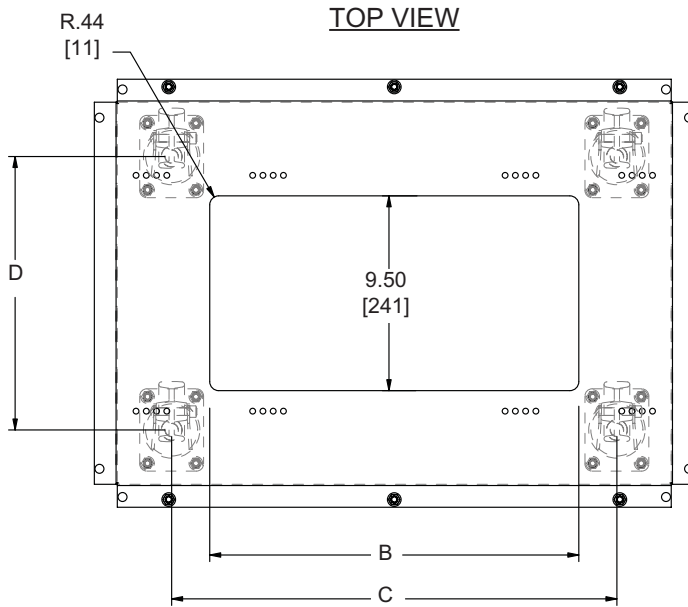
Inner platform base shall be Middle Atlantic Products model # BS-___-___ to accommodate ___ Series ___" depth racks (refer to chart). Caster base shall be constructed of 11-gauge steel. Caster base shall be ___" H x ___" W x ___" D (refer to chart). Caster base shall have one knockout in the center of the base for cable pass-through measuring ___" W x ___" D (refer to chart). Caster base shall raise total rack height ___". Caster base shall be finished in a durable textured black powder coat. Caster base shall be warranted to be free from defects in material or workmanship under normal use and conditions for the lifetime of the product.

electronic version available at middleatlantic.com

Engineered Mounting Solutions

CBS-MRK/WRK-XX basic dimensions

All dimensions in inches [Bracketed dimensions are in millimeters]

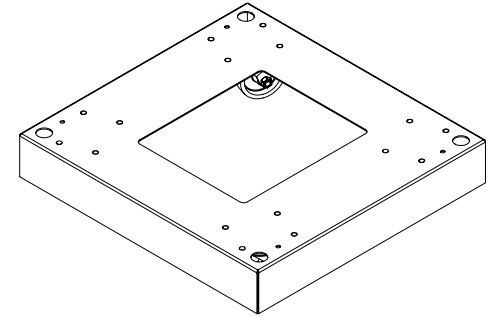
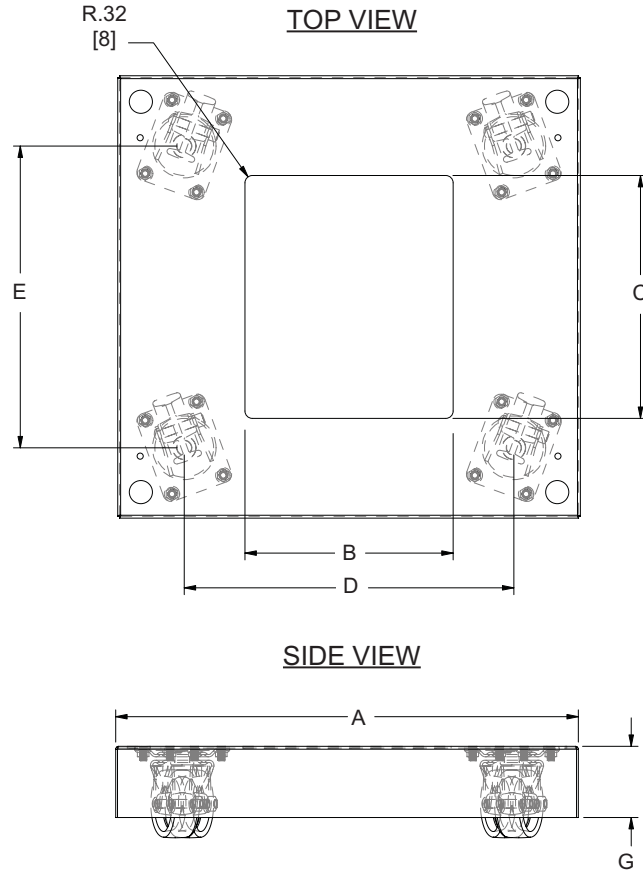


CBS-MRK/WRK-XX SIZE CHART

Part No.	Fits	Grade	A Depth	B Opening Depth	C Caster to Caster Depth	D Caster to Caster Width	E Width	F Flange	G Overall Height	H Height Rack Is Raised	Weight Capacity
CBS-MRK-26	MRK- 26" deep	Commercial	22.14 (562)	13.00 (330)	16.72 (425)	13.34 (339)	18.76 (476)	1.12 (28)	3.94 (100)	.94 (24)	1300 lbs.
CBS-MRK-26R	MRK- 26" deep	Fine Floor	22.14 (562)	13.00 (330)	16.72 (425)	13.34 (339)	18.76 (476)	1.12 (28)	3.94 (100)	.94 (24)	700 lbs.
CBS-MRK-31	MRK- 31" deep	Commercial	27.14 (689)	18.00 (457)	21.72 (551)	13.34 (339)	18.76 (476)	1.12 (28)	3.94 (100)	.94 (24)	1300 lbs.
CBS-MRK-31R	MRK- 31" deep	Fine Floor	27.14 (689)	18.00 (457)	21.72 (551)	13.34 (339)	18.76 (476)	1.12 (28)	3.94 (100)	.94 (24)	700 lbs.
CBS-MRK-36	MRK- 36" deep	Commercial	31.74 (806)	22.60 (574)	26.32 (669)	13.34 (339)	18.76 (476)	1.12 (28)	3.94 (100)	.94 (24)	1300 lbs.
CBS-MRK-36R	MRK- 36" deep	Fine Floor	31.74 (806)	22.60 (574)	26.32 (669)	13.34 (339)	18.76 (476)	1.12 (28)	3.94 (100)	.94 (24)	700 lbs.
CBS-WRK-27	WRK- 27" deep	Commercial	24.34 (618)	17.50 (445)	18.88 (480)	15.50 (394)	20.97 (533)	1.16 (29)	3.94 (100)	.94 (24)	1300 lbs.
CBS-WRK-27R	WRK- 27" deep	Fine Floor	24.34 (618)	17.50 (445)	18.88 (480)	15.50 (394)	20.97 (533)	1.16 (29)	3.94 (100)	.94 (24)	700 lbs.
CBS-WRK-32	WRK- 32" deep	Commercial	29.34 (745)	22.50 (572)	23.88 (607)	15.50 (394)	20.97 (533)	1.16 (29)	3.94 (100)	.94 (24)	1300 lbs.
CBS-WRK-32R	WRK- 32" deep	Fine Floor	29.34 (745)	22.50 (572)	23.88 (607)	15.50 (394)	20.97 (533)	1.16 (29)	3.94 (100)	.94 (24)	700 lbs.

CBS-5/ERK-XX basic dimensions

All dimensions in inches [Bracketed dimensions are in millimeters]



CBS-5/ERK-XX SIZE CHART

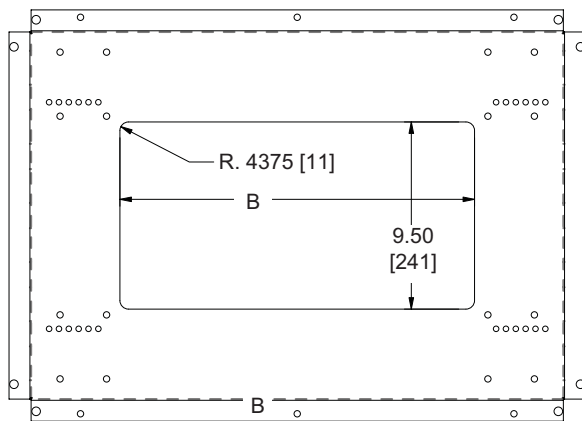
Part No.	Fits	Grade	A Depth	B Opening Depth	C Opening Width	D Caster to Caster Depth	E Caster to Caster Width	F Width	G Skirt Height	Weight Capacity
CBS-5	Slim 5- 20" deep	Commercial	20.00 (508)	9.00 (229)	10.50 (267)	14.25 (362)	13.05 (331)	19.13 (486)	3.08 (78)	400 lbs.
CBS-5R	Slim 5- 20" deep	Fine Floor	20.00 (508)	9.00 (229)	10.50 (267)	14.25 (362)	13.05 (331)	19.13 (486)	3.08 (78)	400 lbs.
CBS-5R-26	Slim 5- 26" deep	Commercial	26.00 (660)	15.00 (381)	10.50 (267)	20.25 (514)	13.05 (331)	19.13 (486)	3.08 (78)	400 lbs.
CBS-5-26R	Slim 5- 26" deep	Fine Floor	26.00 (660)	15.00 (381)	10.50 (267)	20.25 (514)	13.05 (331)	19.13 (486)	3.08 (78)	400 lbs.
CBS-ERK-20	ERK- 20" deep	Commercial	20.00 (508)	14.50 (368)	9.80 (249)	13.88 (353)	16.23 (412)	22.00 (559)	3.00 (76)	1300 lbs.
CBS-ERK-20R	ERK- 20" deep	Fine Floor	20.00 (508)	14.50 (368)	9.80 (249)	13.88 (353)	16.23 (412)	22.00 (559)	3.00 (76)	700 lbs.
CBS-ERK-25	ERK- 25" deep	Commercial	25.00 (635)	19.50 (495)	9.80 (249)	18.88 (480)	16.23 (412)	22.00 (559)	3.00 (76)	1300 lbs.
CBS-ERK-25R	ERK- 25" deep	Fine Floor	25.00 (635)	19.50 (495)	9.80 (249)	18.88 (480)	16.23 (412)	22.00 (559)	3.00 (76)	700 lbs.

2225

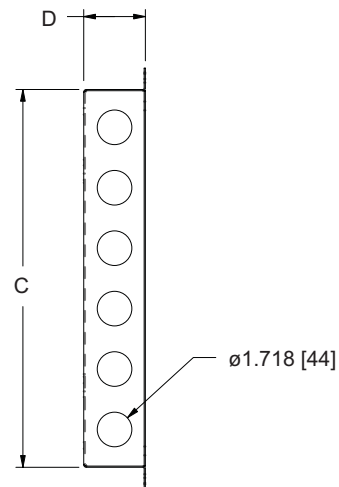
BS-MRK/WRK-XX basic dimensions

All dimensions in inches [Bracketed dimensions are in millimeters]

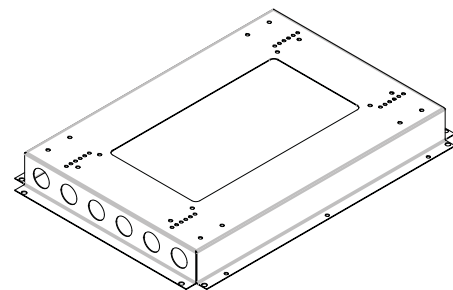
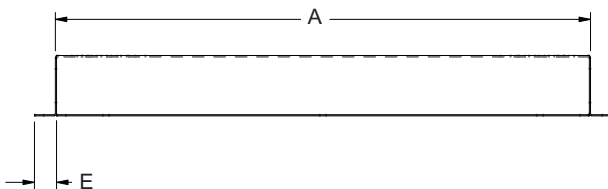
TOP VIEW



FRONT VIEW



SIDE VIEW



BS-MRK/WRK-XX SIZE CHART

Part No.	Fits	A Depth	B Knockout Depth	C Width	D Height	E Flange
BS-MRK-26	MRK- 26" deep	22.14 (562)	13.00 (330)	18.76 (476)	3.060 (78)	1.120 (28)
BS-MRK-31	MRK- 31" deep	27.14 (689)	18.00 (457)	18.76 (476)	3.060 (78)	1.120 (28)
BS-MRK-36	MRK- 36" deep	31.74 (806)	22.60 (574)	18.76 (476)	3.060 (78)	1.120 (28)
BS-MRK-42	MRK- 42" deep	37.74 (959)	28.60 (726)	18.76 (476)	3.060 (78)	1.120 (28)
BS-WRK-27	WRK- 27" deep	24.343 (618)	17.50 (444)	20.968 (533)	3.078 (78)	1.156 (29)
BS-WRK-32	WRK- 32" deep	29.343 (745)	22.50 (571)	20.968 (533)	3.078 (78)	1.156 (29)

