



Middle Atlantic Products, Inc.®

middleatlantic.com

U Series/U317/UTR1 Rackshelves

EIA/TIA Compliant

U Series / U317 / UTR1 Rackshelves

Features

U Series - Universal rackshelves

- Available in 1 through 4 rackspaces
- Weight capacity from 35 to 85 lbs. depending on size
- Accommodates most standard non-rackmountable components
- See chart for part numbers and dimensions
- Contractor packs available
- UL Listed in the US and Canada

U317 - Vented 3 space rackshelf

- 17- 3/4" depth allows for deeper components
- 60 lb. weight capacity
- Vent pattern provides superior air circulation
- Slotted rear flange for cable management

UTR1 - Half / third rack shelf

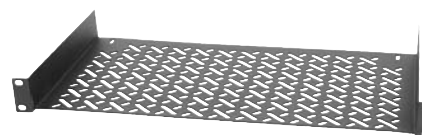
- 25 lb. weight capacity
- Generous vent pattern provides superior air circulation
- Hook & loop strips included for mounting any half or third space components without hardware
- Contractor packs available



U2



U317



UTR1

Architects' and Engineers' Specifications

U Series

Solid, one-piece 16-gauge steel rackshelf shall be Middle Atlantic Products model # U_x (x = # of rackspaces, refer to chart). Weight capacity shall be ___ (refer to chart). Rackshelf shall feature durable flat black powder coat finish. Contractor packs shall be available with twelve U1 or six U2 rackshelves and shall be model # U1-RP12 or U2-RP6. U series rackshelf shall be warrantied to be free from defects in material or workmanship under normal use and conditions for the lifetime of the product. U series rackshelf shall be UL Listed in the US and Canada.

U317

Vented three rackspace rackshelf shall be Middle Atlantic Products model # U317. One-piece, 16-gauge rackshelf shall provide a 60 lb. weight capacity. U317 shall features slotted rear flange for cable management. Depth of 17-3/4" shall accommodate deeper components. U317 shall be warrantied to be free from defects in material or workmanship under normal use and conditions for the lifetime of the product.

UTR1

Half / third rack shelf with 10" depth shall be Middle Atlantic Products model # UTR1. Weight capacity shall be 25 lbs. UTR1 shall include two 2" x 10" hook & loop strips for component mounting and a generous vent pattern for superior air circulation. Contractor packs shall be available with twelve UTR1 rackshelves and shall be model # UTR1-RP12. UTR1 shall be warrantied to be free from defects in material or workmanship under normal use and conditions for the lifetime of the product.

electronic version available at middleatlantic.com

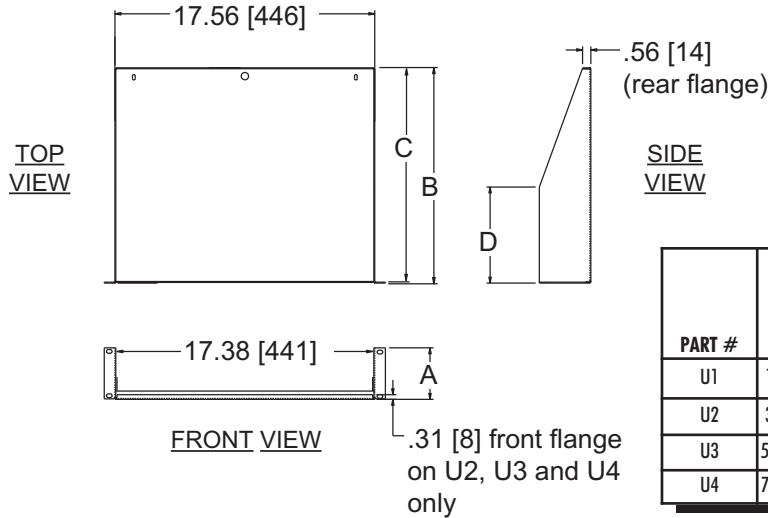
Engineered Mounting Solutions

US: New Jersey • California • Illinois • Voice: 973-839-1011 Fax: 973-839-1976 • middleatlantic.com
 Canada: Ontario • British Columbia • Voice: 613-836-2501 Fax: 613-836-2690 • middleatlantic.ca

U Series / U317 / UTR1 basic dimensions

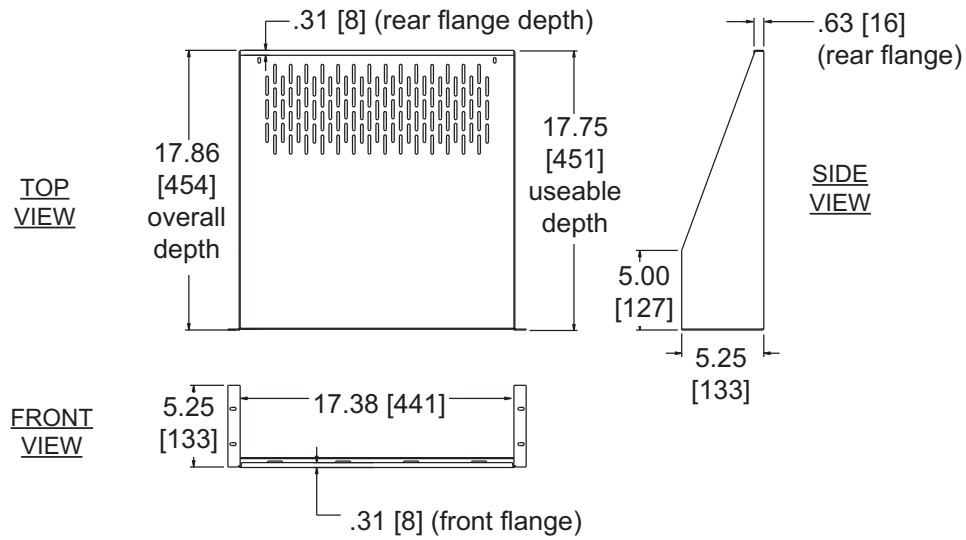
U Series

All dimensions in inches unless otherwise noted [Bracketed dimensions in millimeters]



PART #	RACKING HEIGHT / RACKSPACES "A"	OVERALL DEPTH "B"	USEABLE DEPTH "C"	"D"	WEIGHT CAPACITY
U1	1.75 [44] (1 SP)	10.78 [274]	10.72 [272]	6.05 [154]	35 lbs. [16 kg]
U2	3.50 [89] (2 SP)	14.55 [370]	14.43 [367]	6.49 [165]	50 lbs. [23 kg]
U3	5.25 [133] (3 SP)	14.55 [370]	14.43 [367]	5.71 [145]	70 lbs. [32 kg]
U4	7.00 [178] (4 SP)	15.50 [394]	15.38 [391]	6.00 [152]	85 lbs. [39 kg]

U317



UTR1

