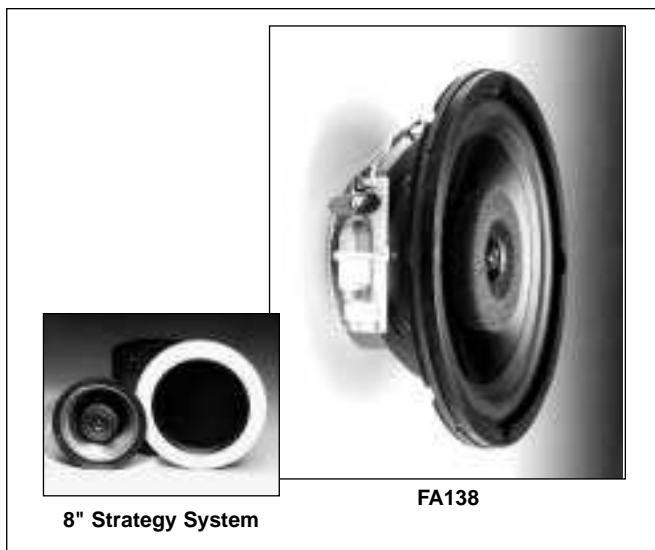




STRATEGY SERIES™ 8" COAXIAL SYSTEM LOUDSPEAKERS

FA138
Series

ONE



8" Strategy System

FA138

SPECIFICATIONS

- Size:** 8" (203mm)
 - *Power Handling:** 100 Watts Peak, 70 Watts RMS
 - *Sensitivity (1W/1M):** 89.5dB Average, 93dB Peak
 - Impedance:** 8 Ohms Nominal
 - *Frequency Response:** 75 Hz - 20 kHz (nominal) 85 Hz - 20 kHz (±5dB)
 - *Dispersion:** 110° (2 kHz Octave Band, -6dB Points)
 - Crossover:** 3,400 Hz
 - Diameter & Depth:** 8¼" (210mm) Dia. & 3.75" (95mm) Deep
 - Mounting Dimensions:** 7.75" (197mm) Bolt Circle
 - Cone Material:** Polypropylene with Kevlar® Fiber
 - Surround Material & Damping:** Butyl Rubber
 - Magnet Weight:** Nominal, 21 oz. (580g)
 - Basket Material:** Painted 19-gauge CRS
 - VC Diameter:** 1.5" (38mm)
 - VC Material:** Copper
 - VC Former Material:** Kapton
 - VC Winding Width:** .465" (12mm)
 - Top Plate Thickness:** .250" (6mm)
 - Weight:** 4 lb. 6 oz. (2.1 kg)
- (*Measured in FA97-8 Enclosure)

THIELE-SMALL PARAMETERS

- | | | |
|-----------------------------|------------------------------------|------------------------------------|
| Pe: 70 watts | Qes: .37 | Sd: 34.5 (in ²) |
| Fs: 40 Hz | Qms: 9.7 | Le@1kHz: .66 mH |
| Xmax: .15" | BL: 6.8 | Mms: .39 oz. |
| Resistance: 6.2 ohms | Efficiency: 1.7 | Cms: .26 in./lb. |
| Qts: .35 | Vas: 3.6 (ft ³) | |

FEATURES

- Top-of-the-Line 8" Coaxial Loudspeaker Delivers Full-Frequency Response with Superior Fidelity
- 100-Watt Unit Offers Extended Sound Pressure Levels for High/Vaulted Ceiling Applications
- Patented System Design Provides Easy Installation
- Conveniently Front Loads into Acoustically-Matched System Enclosures or Mounting Ring
- Choice of System Components Including: Six Transformers, Acoustic Enclosure, Tile Bridge, Mounting Ring, Trim Ring, and Four Hardware-Free Grilles

APPLICATIONS

Utilize Strategy Series FA138 high-performance 8" coaxial loudspeaker for installation in venues where superior performance and extended sound pressure levels are desired. The FA138 reproduces music and voice with powerful clarity and sensitivity to offer the highest quality music reproduction available in an 8" loudspeaker. It is ideal for applications featuring moderately high or vaulted ceilings including restaurants, lobbies, convention centers, health clubs, retail spaces, professional buildings and offices. The FA138 is part of the Strategy Series which features easy installation, quality performance and hardware-free smaller styled grilles to satisfy the needs of owners, architects and contractors.

GENERAL DESCRIPTION

Model FA138 is Atlas Sound's premium 8" coaxial loudspeaker. This 100-watt unit includes a circuit board mounted high-pass/low-pass crossover which produces outstanding sound quality. It incorporates a tapered backplate for increased magnetic circuit efficiency and offers a frequency response of 85 Hz - 20 kHz. Model FA138 contains a Kevlar® fiber reinforced polypropylene cone woofer, a custom butyl rubber surround, a 1½" vented Kapton voice coil, a 21 oz. magnet and a ½" mylar-dome ferrofluid tweeter for clean and powerful weather-resistant performance.

For optimum acoustic and application versatility, Model FA138 has been engineered as a system with matched enclosure Model FA97-8, choice of transformers and grilles. (For detailed information on accessories, refer to SL1-1513.) The Strategy Series FA97-8 high performance enclosure has a volume of (.25 ft³) and is complete with acoustic batting. The enclosure installs into the ceiling using only a screwdriver to adjust the rotating clamps, or to tighten conventional screws. Loudspeaker front-loads into the enclosure and includes a neoprene rubber gasket on the back of the speaker basket to seal the assembly and optimize the low frequency response. It may also be mounted into a wall or ceiling of minimum depth by using plaster/mounting ring Model FAPR-8. Trim ring/rough-in bracket Model FA-TR8 spans 16" or 24" stud centers for new construction sheet rock applications. Series includes a choice of four grilles which feature three serrated studs for push-on installation to Strategy Series enclosures or mounting ring.

MODEL	INCLUDES XFMR			MOUNTS ENCLOSURE	MOUNTS GRILLE	OPTIONAL ACCESSORIES
	MODEL	VOLTS	PRIMARY TAPS			
FA138	—	—	—	FA97-8(NK)* FA95-8	FA51-8 (11½" Dia. Round) FA170-8 (11¼" Square) FA720-8 (11½" Dia. Round) FA730-8 (11½" Dia. Round)	FA81-8 (Tile Bridge) FAPR-8 (Plaster/Mounting Ring) FA-TR8 (Trim Ring)
FA138T47	HT-47	70.7	.5, 1, 2 & 4	(*Without Knockouts)		
FA138T87	HT-87	70.7	1, 2, 4 & 8			
FA138T167	HT167	70.7	4, 8 & 16			

Specifications subject to change without notice



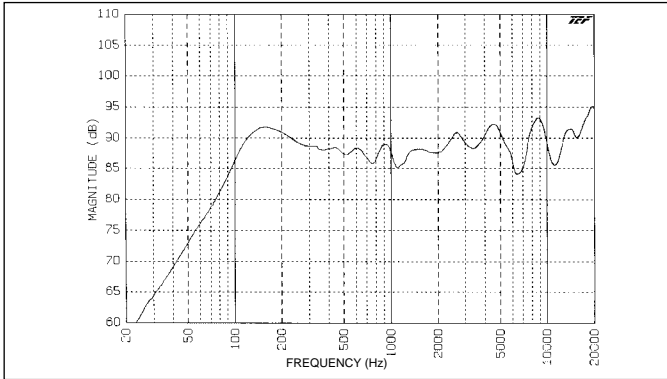
1601 JACK MCKAY BLVD. / ENNIS, TEXAS 75119 U.S.A. / TELEPHONE: (800) 876-3333 / FAX (800) 765-3435

19

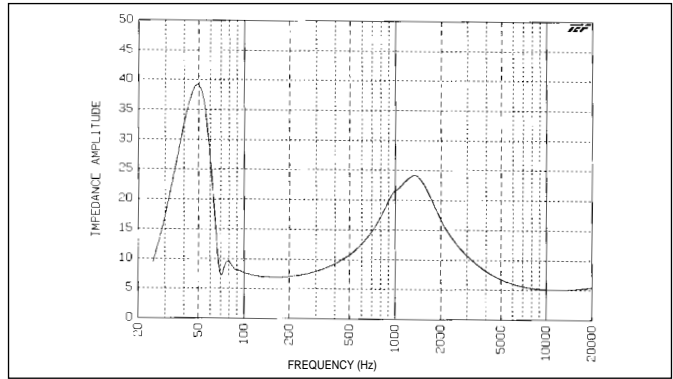
ARCHITECT AND ENGINEER SPECIFICATIONS

Loudspeaker system shall be Atlas Sound Strategy Series™. System shall include a coaxial, 8" loudspeaker Model FA138, matched enclosure Model ____ (FA97-8, FA97-8NK) and flush grille Model ____ (FA51-8, FA170-8, FA720-8, FA730-8). Frequency response of the system shall be 85 Hz to 20 kHz + 5dB and the sensitivity shall be 93dB (peak) measured at 1W / 1M across the full bandwidth. Power rating shall be 100 watts. Unit shall be comprised of an 8" dia. low frequency driver and a 1/2" dia. high frequency driver. Magnet shall be 21 oz. and the voice coil diameter shall be 1.5" (38mm). Dispersion shall be

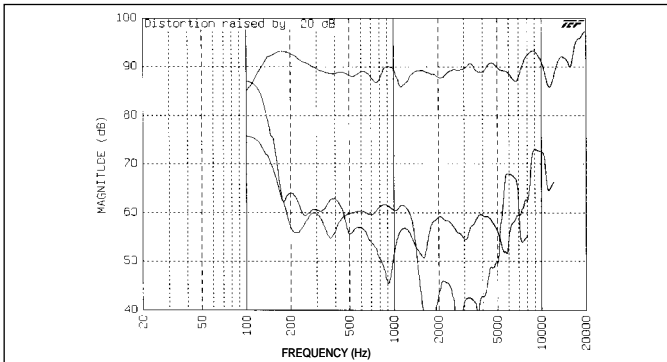
110° measured at -6dB, 2kHz octave band. Transformer-equipped models shall include factory wired ____ (70.7) volt transformer with primary taps of ____ (.5, 1, 2 & 4 or 1, 2, 4 & 8 or 4, 8 & 16). Loudspeaker shall front-load to specified enclosure Model FA97-8(NK), or Model FAPR-8 plaster mounting ring. Strategy Series enclosures shall use toggle clamps for ceiling mounting and stud receivers for grille mounting. The FA97 Series enclosures shall be lined with high density acoustic batting.



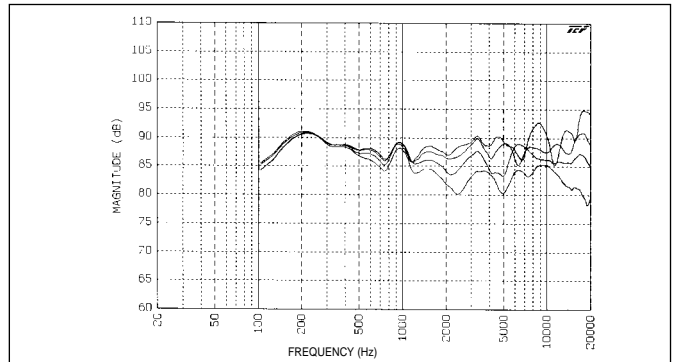
FA138: Frequency Response (Measured in FA97-8 Enclosure)



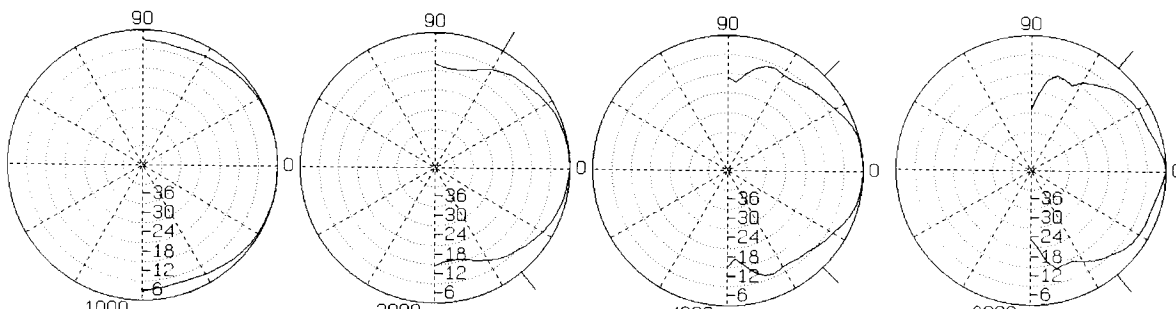
FA138: Impedance



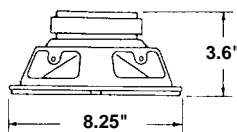
FA138: Fundamental vs 2nd & 3rd Harmonics (Raised 20dB) @ 1 watt (Measured in FA97-8 Enclosure)



FA138: Frequency Response Overlay at 0, 15, 30 & 45 degrees (Measured in FA97-8 Enclosure)

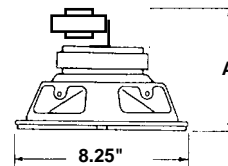


Octave Bands Normalized to Zero On Axis (Measured in FA97-8 Enclosure)



- | | |
|-----------|-------|
| FA138T47 | 5.5" |
| FA138T42 | 5.5" |
| FA138T87 | 5.5" |
| FA138T82 | 5.5" |
| FA138167 | 5.75" |
| FA138T810 | 5.5" |

Dim. A



Specifications subject to change without notice



1601 JACK MCKAY BLVD. / ENNIS, TEXAS 75119 U.S.A. / TELEPHONE: (800) 876-3333 / FAX (800) 765-3435