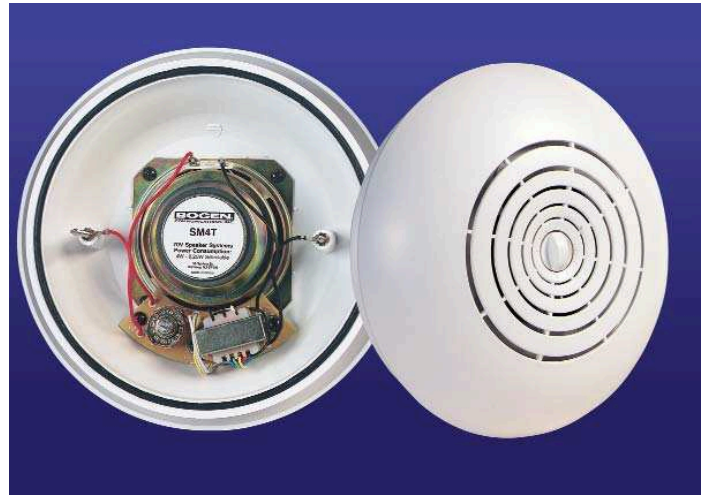


Easy Install® Speaker

Models **SM1EZ (1W)**
and **SM4T (4W)**



Description

The Bogen SM1EZ and SM4T Easy Install® Speakers are surface-mount speakers, designed to typically install in less than a minute. Installation is a simple, three-step process that does not require tools. First, two specially-designed studs pierce the ceiling tile. Second, two custom-designed wing nuts secure the speaker to the ceiling. Third, standard wire nuts make the electrical connection directly to the color-coded studs. Both the SM1EZ and SM4T are lightweight, durable speakers with a low-profile contemporary design, making them versatile enough to be installed in just about any installation with standard ceiling tiles.

The SM1EZ is a 1-watt single-tap speaker. The SM4T is a 4-watt multi-tap speaker with a rotary switch that eliminates transformer tap wires. Both models have an exterior volume control for easy balancing that is easily accessible, but doesn't attract tampering.

Features

- Installs in less than a minute
- Compatible with both 70V and 25V systems
- High intelligibility and efficiency
- Direct and reflected sound paths create wide dispersion angle
- Lightweight and durable plastic shell with an off-white, paintable finish
- Simple, three-step installation process
- No tool(s) installation
- Color-coded mounting studs identify polarity to make the electrical connection easier (no external wires)
- High-quality, wire-wound volume control on outside of speaker for easy access
- Can be installed in any drop ceiling with standard ceiling tiles
- Surface-mounting design eliminates need to cut ceiling tile, no mess installation
- Contemporary design blends/matches any decor
- SM1EZ has a single, 1-watt tap
- SM4T has switch-selectable multiple taps for controlling output level (taps – 4, 2, 1, 1/2, 1/4 watts)
- O-ring seal holds speaker tight to ceiling surface, eliminating whistling and ensures smoother sound without peaks
- Textured studs easily pierce ceiling tile and secure wire nut connections
- Wide-bottom, easy-to-handle mounting wing nuts provide secure speaker mounting
- Tile Bridge available (Model SMTB, sold separately)
- All necessary mounting hardware included
- Complies with NFPA National Code 160b and UL-2043 (Report available)

BOGEN®

Specifications subject to change without notice.
© 2005 Bogen Communications, Inc.
Part No. 54-7620-01D 0808

Technical Specifications

	SM1EZ	SM4T
Power Rating (max.):	1W	4W
Selectable Power Taps:	N/A	4, 2, 1, 1/2, 1/4 (rotary switch selectable)
Constant Voltage Amp Type:	25V/70V	25V/70V
Frequency Response:	125 Hz-15 kHz	125 Hz-15 kHz
Sensitivity (min.):*	90 dBspl	90 dBspl
Dispersion (min.):	120°	120°
Controls:	Volume Control	Volume Control; Tap Selector Switch
Product Weight:	2 lb.	2 lb.
Shipping Weight:	3 lb.	3 lb.
Diameter:	9-1/2"	9-1/2"
Height:	3"	3"
Base Diameter (against ceiling):	8-3/4"	8-3/4"
Construction:	ABS Plastic	ABS Plastic
Flame Rating:	94-5VA	94-5VA

* (1W @1M on axis)

Architect & Engineer Specifications

The speaker shall be a Bogen Model _____ (specify SM1EZ or SM4T). The frequency response shall be 125 Hz to 15 kHz. Dispersion angle shall be no less than 120°. Sensitivity, measured 1-watt @ 1 meter on axis, shall be a minimum of 90 dBspl.

The speaker shall comply with NFPA National Code 160b that allows speakers to be installed in plenums and other air handling spaces. The speaker shall also comply with UL-2043 (report available).

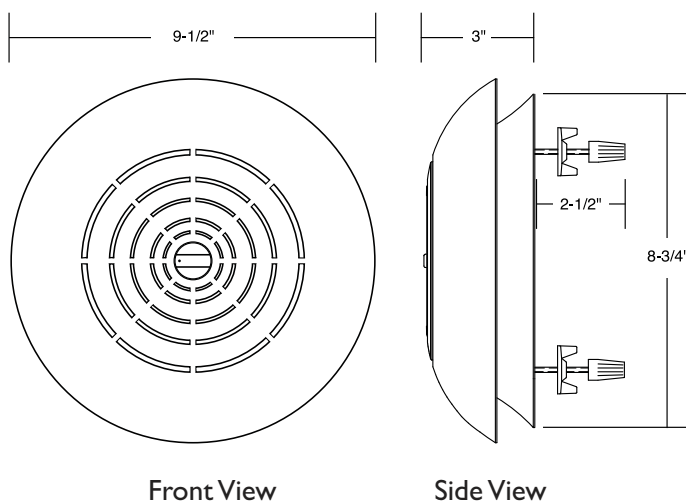
The speaker shall be of durable ABS plastic construction and shall be mounted using specially designed studs that easily pierce ceiling tiles. Custom-designed wing nuts shall be used for securing the speaker to the ceiling tile, as well as two standard wire nuts to connect the speaker wires to the studs. One stud shall be copper-plated and the other nickel-plated as a means of designating polarity. The speaker shall include a large, rubber O-ring seal to hold the base of the speaker cavity tight to the ceiling tile.

A Tile Bridge Support accessory (Model SMTB) shall be available for distributing the weight in suspended ceilings.

The unit shall measure 9-1/2" in diameter by 3" in depth. Base diameter against ceiling shall be 8-3/4". Product weight shall be 2 lb.

Use for SM1EZ. The unit shall incorporate a 1-watt single-tap with wire-wound volume control for use in 25V/70V constant voltage speaker systems.

Use for SM4T. The unit shall incorporate a rotary switch to select power settings of 4, 2, 1, 1/2, and 1/4 watts with wire-wound volume control for use in 25V/70V constant voltage speaker systems. The speaker's settings are to be rotary-switch selectable. 25V/70V selectable with jumper on PCB.



BOGEN[®]
COMMUNICATIONS, INC.

50 Spring Street, Ramsey, NJ 07446
Tel. 201-934-8500, Fax: 201-934-9832
www.bogen.com