



H A Harman International Company

HM 1000

Hanging Module

Description

The H 1000 is a microphone hanging module that accommodates capsules from the AKG Discreet Acoustic Modular series and provides for hanging them with a thin 33 ft. (10 meter) or 66 ft. (20 meter) cable. The end of the cable is terminated with a mini-XLR connector which will pass through an 11-mm diameter opening and is subsequently plugged into the Discreet Power adapter (DPA). The HM 1000 operates over the range OF 9 to 52 volts DC. A red LED power indicating ring at the capsule end of the cable tells the operating engineer that the system is receiving power. The LED is normally powered from phantom power, but can be operated by an alternate DC power source. The LED maybe extinguished by removing a jumper located inside the DPA. The DPA also contains a jumper-actuated low frequency roll-off below 250 Hz.

The HM 1000 is ideal in multiples for overhead choral pickup and is virtually invisible at typical distances. The capsule assembly may be set to any direction or angle by means of a flexible but stable wire as shown in the photograph. The cable is black, and the capsule assembly is matte gray. The HM 1000 is also available all in white.

Specifications

Powering: 9 to 52 volts phantom power

Discreet Power Adapter (DPA):
Inline, with mini XLR interruption for passing through 11 mm diameter mounting hole

Connection: 3-pin XLR type

Cable Length: 33 ft. (10 m), 66 ft. (20 m)

Finish: Dark gray matte or white

Size: 1.96 x 0.53 in. (50 x 13.5 mm)

Mounting: Variable

Low Frequency Roll-off:
250 Hz - 10 dB at 50 Hz.
Jumper-actuated

Fitting Mounting Modules:
CK 31, CK 32, CK 33,
CK 47, CK 80

Included Accessories: Phantom power adapter, hanging clip

Optional Accessories: B 18 Battery power supply
PS 3 F-lock panel mount socket



Features

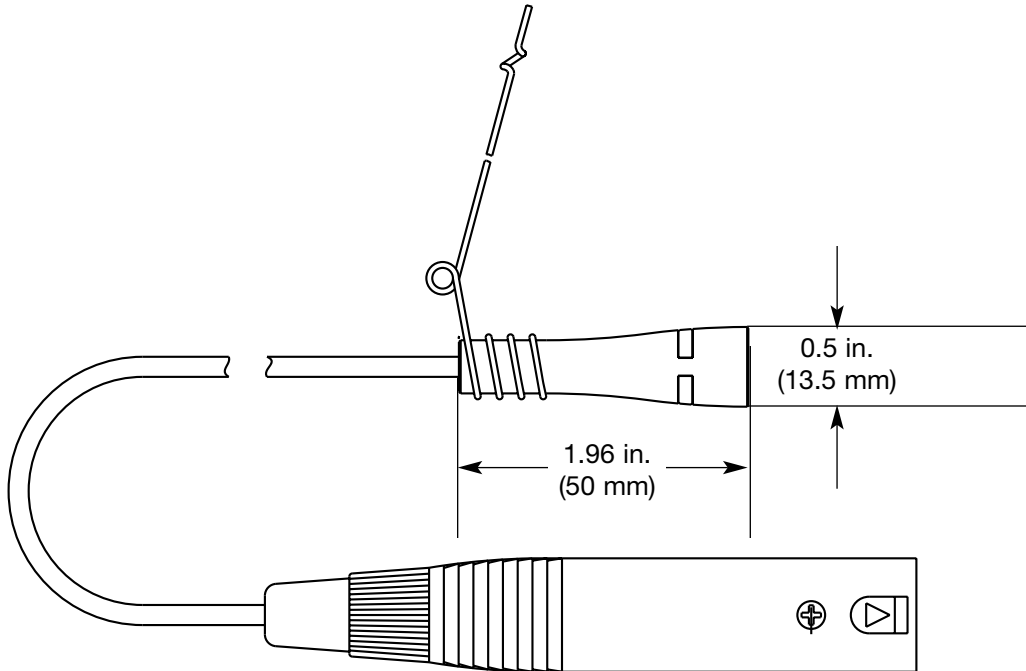
- Fitting 5 different capsule modules
- Integrated switchable LED indication
- Integrated bass roll-off
- Rugged design
- Non-reflective gray or white color

Architects and Engineers Specifications

The microphone hanging module shall have a cable no less than 33 ft. (10 meters) length and shall accommodate the family of miniature microphone capsules in the AKG Discreet Acoustic Modular series. The far end of the cable shall have a receptacle no larger than 0.43 in. (11 mm) in diameter, mating with the power

module. The power module shall operate on phantom powering from 9 to 52 volts dc. The power module shall have a jumper actuated low frequency roll-off. The hanging cable shall be black, and the capsule assembly shall be gray. The microphone hanging module shall be the AKG Acoustics Model HM 1000.

Graphical Data



AKG is constantly improving and modifying its products, therefore, specifications are subject to change without notice.

Limited Warranty

Valid only in the United States. AKG Acoustics warrants AKG products against defects in material or workmanship for a period of two years from the date of original purchase for use, and agrees to repair or, at our option, replace any defective unit without charge for either parts or labor. Important: This warranty does not cover damage resulting from accident, misuse or abuse, lack of reasonable care, the affixing of any attachment not provided with the product, loss of parts or connecting the product to any but the specified receptacles. This warranty is void unless service or repairs are performed by an authorized service center. No responsibility is assumed for any special, incidental

or consequential damages. However, the limitation of any right or remedy shall not be effective where such is prohibited or restricted by law. Simply take or ship your AKG product prepaid to our service department. Be sure to include your sales slip as proof of purchase date. (We will not repair transit damage under the no-charge terms of this warranty.) Note: No other warranty, written or oral is authorized by AKG Acoustics, Inc. This warranty gives you specific legal rights, and you may also have other rights which vary from state to state. Some states do not allow the exclusion or limitation of incidental or consequential damages or limitation on how long an implied warranty lasts, so the above exclusions and limitation may not apply to you.

Microphones · Headphones · Wireless Microphones · Wireless Headphones · Headsets · Electroacoustical Components



H A Harman International Company

AKG Acoustics GmbH
Lemböckgasse 21-25, P.O.B. 158, A-1230
Vienna/AUSTRIA
Tel: (43 1) 86 654-0*, Fax: (43 1) 86 654-516
Internet: <http://www.ake.com>

AKG Acoustics; A Division of Harman Pro Germany
Bodenseestraße 228, D-81243 München/GERMANY
Tel: (089) 87 16-0, Fax: (089) 87 16-200

Arbiter Pro Audio
Wilberforce Road, London NW9 6AX/ENGLAND
Tel: (0181) 202 1199, Fax: (0181) 202 7076

AKG ACOUSTICS, U.S.
914 Airpark Center Drive
Nashville, TN 37217, U.S.A.
Tel: (615) 620-3800, Fax: (615) 620-3875

Studer Japan Ltd.
2-43-7, Uehara, Shibuya-ku, Tokyo 151-0064/JAPAN
Tel: (813) 3465-2211, Fax: (813) 3465-2214

Erikson Pro Audio
620 McCaffrey, St-Laurent, Quebec, H4T 1N1, CANADA
Tel: (514) 738-3000, Fax: (514) 737-5069
Internet: www.jam-ind.com/eriksonpro