

Features

- 19"W rackmount storage boxes provide an organized method of storing VHS, CD-ROM and DVD or like sized media, movies and software.
- Fully welded 16-gauge US steel construction.
- Mounts on the front rails of 19"W EIA racks.
- Finished in durable black powder epoxy.

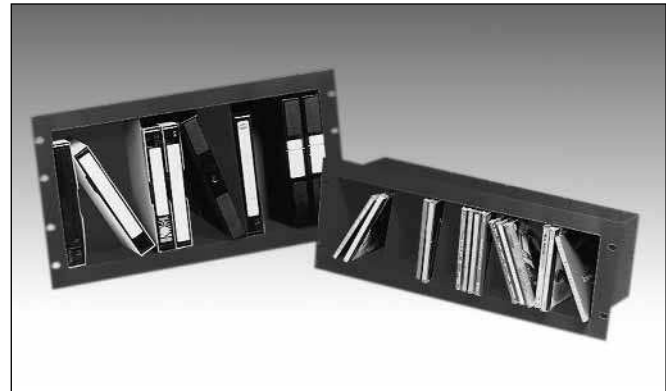
Description

Lowell's media-sized storage boxes with metal dividers provide an easy and useful method of organizing a variety of media including VHS tapes, CD-ROM and DVD discs. Useful boxes mount in EIA 19"W floor racks, rolling cabinets, wall or desk enclosures. They are ideal for applications where rolling racks with presentation equipment (and media) are shared between classrooms or buildings in schools, hospitals and medical facilities or for permanent installations in training facilities, reference libraries, conference centers and boardrooms.

Sturdy housings are fully welded 16 gauge US steel finished in Lowell's durable black powder epoxy. Model L21-1910 mounts up to 15 VHS tapes. Model L22-197 houses up to 40 CD-ROM or DVD discs. Both feature standard EIA spacing and install easily to the front mounting rails of 19"W racks using 10-32 hardware (order panel mounting screws separately - see page 2).

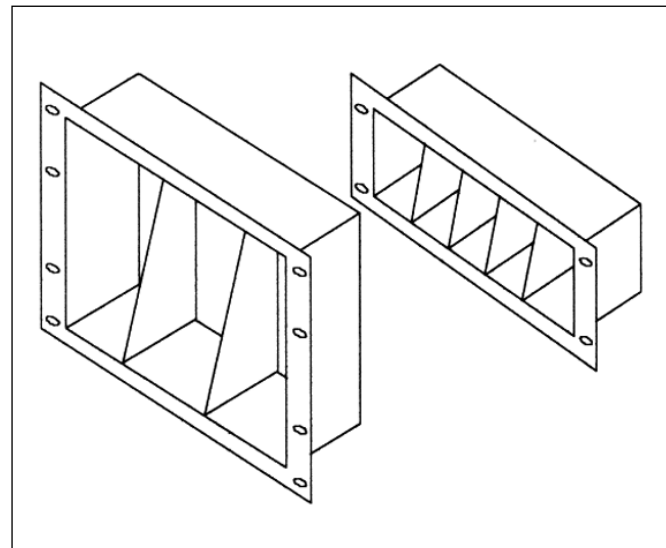
A & E Specifications

The media storage box for 19"W rackmount use shall be Lowell Model _____ (L21-1910, L22-197). The storage box shall have a panel space height of ____ (6RU, 4RU). Construction shall be fully welded 16 gauge steel. Finish shall be black powder epoxy.



L21-1910
VHS Media

L22-197
CD-ROM and DVD Media



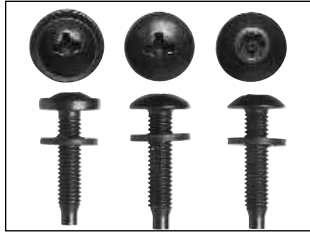
L21-1910

L22-197

Dimensions

Model	Description	Overall Depth	Panel Space (Inches)	Panel Space (Rack Units)	Holds Qty / Media
L21-1910	Storage box for VHS media	3.625	10.5"	6 RU	15 / VHS tapes
L22-197	Storage box CD-ROM & DVD media	5.75"	7"	4 RU	40 / CD-ROMs or DVDs

Panel Mounting Screws (order separately)



RSP
Phillips
Finish Head

RS
Phillips
Truss Head

RSV
Torx®
Star Post Head



RSP-500 / RS-500 Jars

ALL screws have 5.1 hardness and include PilotPoint™ tip and captive washer!

Model	Description	Quantity
RSP-25	Hdwr phillips finish head pilot pt w washers Blk 10-32x.875	25 pc bag
RSP-100	Hdwr phillips finish head pilot pt w washers Blk 10-32x.875	100 pc bag
RSP-500	Hdwr phillips finish head pilot pt w washers Blk 10-32x.875	500 pc jar
RS-25	Hdwr phillips truss head pilot pt w washers Blk 10-32x.875	25 pc bag
RS-100	Hdwr phillips truss head pilot pt w washers Blk 10-32x.875	100 pc bag
RS-500	Hdwr phillips truss head pilot pt w washers Blk 10-32x.875	500 pc jar
RSR-50	Hdwr robertson SQ- head pilot pt w washers Blk 10-32x.875	50 pc bag
RSR-BIT	Hdwr torx pin drive bit for RSR Series screws	1 Qty
RSV-50	Hdwr torx star post security pilot pt w washers Blk 10-32x.875	50 pc bag
RSV-BIT	Hdwr torx pin drive bit for RSV Series screws	1 Qty

NEW RSR Robertson square head available!

Panel Space Reference Guide per EIA Standards

Accessory Panel Space Height - Nominal (Inches) (Rack Units - RU)		Cabinet Panel Space Opening - Actual (Inches)	EIA Holes Used / Covered per Mounting Rail (Spaced .625" - .625" - .5")
1.75	1	1.875	3
3.50	2	3.625	6
5.25	3	5.375	9
7.00	4	7.125	12
8.75	5	8.875	15
10.50	6	10.625	18
12.25	7	12.375	21
14.00	8	14.125	24
15.75	9	15.875	27
17.50	10	17.625	30
19.25	11	19.375	33
21.00	12	21.125	36
22.75	13	22.875	39
24.50	14	24.625	42
26.25	15	26.375	45
28.00	16	28.125	48
29.75	17	29.875	51
31.50	18	31.625	54
33.25	19	33.375	57
35.00	20	35.125	60
36.75	21	36.875	63
38.50	22	38.625	66
40.25	23	40.375	69
42.00	24	42.125	72
43.75	25	43.875	75
45.50	26	45.625	78
47.25	27	47.375	81
49.00	28	49.125	84
50.75	29	50.875	87
52.50	30	52.625	90
54.25	31	54.375	93
56.00	32	56.125	96
57.75	33	57.875	99
59.50	34	59.625	102
61.25	35	61.375	105
63.00	36	63.125	108
64.75	37	64.875	111
66.50	38	66.625	114
68.25	39	68.375	117
70.00	40	70.125	120
71.75	41	71.625	123
73.50	42	73.625	126
75.25	43	75.375	129
77.00	44	77.125	132

Open Frame
Floor

Solid Side
Floor &
Desk

Wallmount
Surface &
Recessed

Panels &
Accessories

Thermal &
Wire Mngmt

19W Drawers - Storage