

### Quality Features

- Choice of three models for 22"D Lowell racks.
- Rugged, fully-welded US steel construction.
- Bases feature an opening in the center for easy cable access.
- Includes hardware for easy bolt-on installation.
- Finished in durable wrinkle black powder epoxy.

### Description

Lowell Model MBS222 Mobile Cart Base mounts under a 22"D rack or cabinet frame. This cart is designed specifically with casters positioned far to the perimeter to enhance the stability of a fully loaded 22"D rack or cabinet. The cart features 3" swivel casters in the front and swivel-locking casters in the rear. Casters have a 350 lb load each (1400 lbs. total) and raise the cabinet height by 4.062". To facilitate cable access through the bottom, there is a center opening size 10" x 5" that may be covered using 3RU blank panel Model L3-195. Construction is 14 gauge steel finished in durable wrinkle black powder epoxy.

Lowell Model PB222 Stationary Platform Base is an inner platform design that mounts inside the rack frame to provide the benefits of a floor positioned flush to the bottom rack space. This model is often specified to support extra-heavy equipment that is mounted in the lowest racking position. The rack/cabinet height is not increased when installed. To facilitate cable access through the bottom, there is a center opening size 13" x 5" that may be covered using 3RU blank panel Model L3-195. Additionally, there are cable pass-thru openings on the sides that match up to the side openings on L275 Series racks to facilitate wiring between racks. Construction is 14 gauge steel finished in durable wrinkle black powder epoxy.

Lowell Model PBS222 Shallow Platform Base provides a sub-floor 2.25" below the bottom rack space. This recessed area provides a convenient space to mount accessory devices on the floor of the installation. The base is constructed of 16 gauge steel. To facilitate cable access through the bottom, there is a center opening size 13" x 5" that may be covered using 3RU blank panel Model L3-195. Construction is 14 gauge steel finished in durable wrinkle black powder epoxy.

**Note: Bases may not be used with Seismic versions (-S) of Lowell racks and cabinets.**



MBS222



PB Series  
(see actual drawing on page 2)



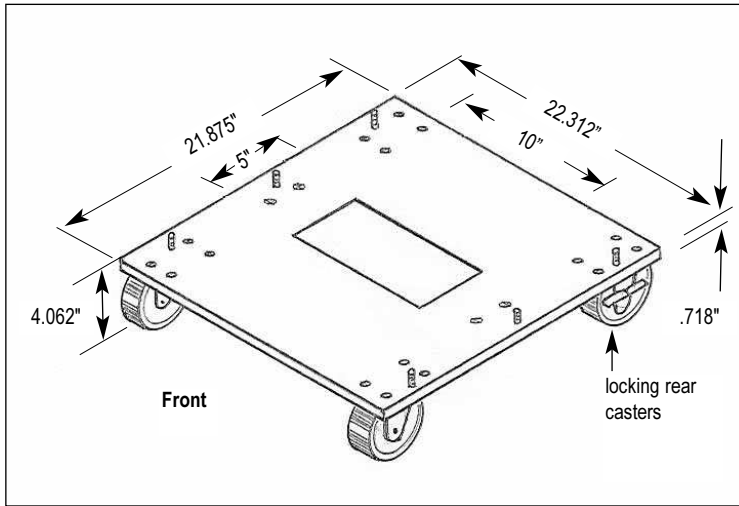
PBS222

#### 22"D BASES FOR L275 SERIES RACKS AND L265/L260 SERIES CABINETS

Model	Description	Casters	Height Increase	Size O.A.	Size Inside	Center Opening	Opt'l Panel for Opening	Weight	Mounts Series*
MBS222	Mobile Cart	3"	4.062"	22.312"W x 21.875"D x 4.062"H	N.A.	10"W x 5"D	L3-195**	24 lbs.	L275, L265, L260
PB222	Stationary Platform	N.A.	0"	22.812"W x 20.375"D x 3"H	19.812"W x 17.75"D	13"W x 5"D	L3-195**	20 lbs.	L275, L265, L260
PBS222	Shallow Platform	N.A.	0"	22.812"W x 20.375"D x .75"H	19.812"W x 17.75"D	13"W x 5"D	L3-195**	17 lbs.	L275, L265, L260

\* Note: Bases may not be used with Seismic versions (-S) of Lowell racks and cabinets.

\*\* Optional 3RU blank panel Model L3-195 may be ordered separately to cover the opening, creating a solid surface.

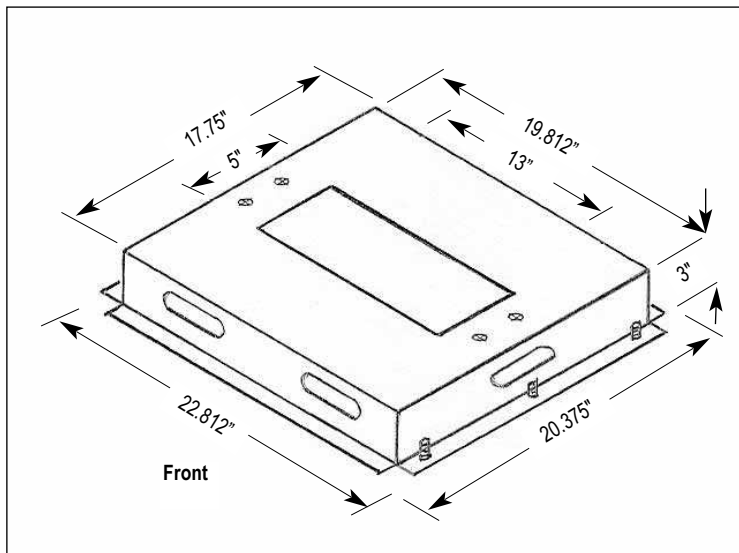


**MBS222**

**A & E Specifications**

The mobile cart base for 22"D Lowell Series \_\_\_\_\_ (L275, L265, L260) racks and cabinets shall be Lowell Model MBS222. The mobile cart base shall be of a design that mounts under the rack frame to add mobility. The heavy-duty 3" swivel/swivel locking casters shall be positioned far to the perimeter for stability and have a load rating of 350 lb each. The mobile cart shall raise the cabinet height by 4.062". The base shall facilitate cable access through a center opening size 10" x 5". The opening can be closed to create a solid floor by installing an optional 3RU blank panel. Mounting hardware to attach the base to the rack or cabinet shall be supplied. Construction shall be 14 gauge welded steel finished in black wrinkle powder epoxy.

Open Frame Floor



**PB222**

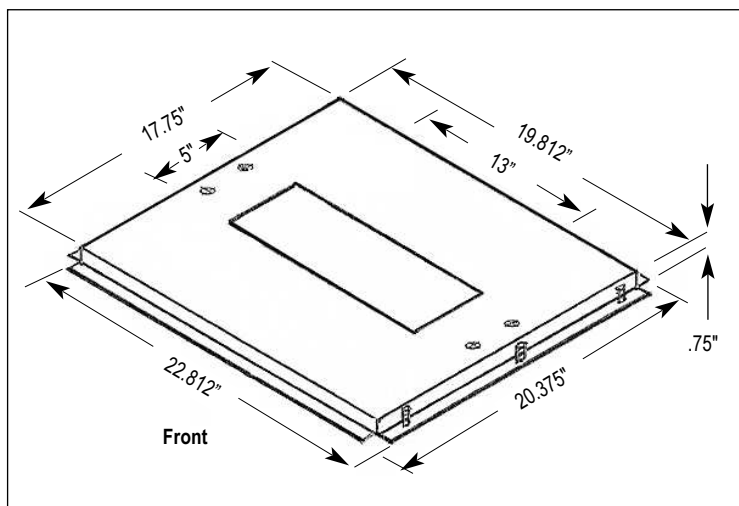
The stationary platform base for 22"D Lowell Series \_\_\_\_\_ (L275, L265, L260) racks and cabinets shall be Lowell Model PB222. The platform base shall be of an inner platform design that mounts inside the rack frame to add the benefits of a floor positioned flush to the bottom rack space. The installed base shall not increase the overall height of the rack/cabinet when installed. The base shall facilitate cable access through a center opening size 13" x 5". The opening can be closed to create a solid floor by installing an optional 3RU blank panel. The base shall also have side cable access via cable pass-thru openings that align with the side openings on ganging rack Series L275. Mounting hardware to attach the base to the rack or cabinet shall be supplied. Construction shall be 14 gauge welded steel finished in black wrinkle powder epoxy.

Solid Side Floor & Desk

Wallmount Surface & Recessed

Icon: Rack frame  
Panels & Accessories

Thermal & Wire Mngmt



**PBS222**

The shallow base for 22"D Lowell Series \_\_\_\_\_ (L275, L265, L260) racks and cabinets shall be Lowell Model PBS222. The base shall be of an inner platform design that mounts inside the rack frame to add the benefits of a subfloor 2.25" below the bottom rack space. The installed base shall not increase the overall height of the rack/cabinet when installed. The base shall facilitate cable access through a center opening size 13" x 5". The opening can be closed to create a solid floor by installing an optional 3RU blank panel. Mounting hardware to attach the base to the rack or cabinet shall be supplied. Construction shall be 14 gauge welded steel finished in black wrinkle powder epoxy.

19W Base Accessories