



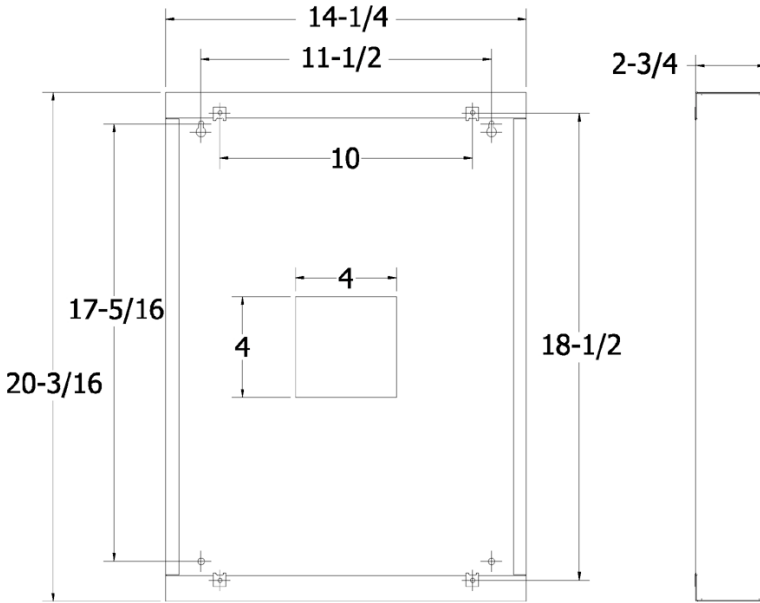
# Quam

## SE9W

Surface mount box for CK1 Baffle

### PRELIMINARY SPECIFICATIONS

#### 0702 - CLOCK BAFFLE COMPONENTS



#### GENERAL DESCRIPTION

The Quam SE9W is a steel surface mount box for the Quam C5/BU/CK 1/x clock baffle, supplied separately. Finish: White baked epoxy hybrid.

#### INTENDED USE

Indoor environment, in either horizontal or vertical alignment.

#### REQUIRED ADDITIONAL QUAM COMPONENT

Section 0702- Clock Baffle Components  
C5/BU/CK1/x Clock Baffle

#### MECHANICAL SPECIFICATIONS

Height (Vertical orientation)	20-3/16"
Width (Vertical orientation)	14-1/4"
Depth	2-3/4"
Clock Baffle Attachment	4x #8 x 32 Tinnerman clips
Mechanical Access to Surface	2x #10 Keyhole slots 2x #10 holes
Electrical Access	4" X 4", center of enclosure

Recommended construction sequences, installation instructions and A&E Specifications are available in various formats on the Quam Architects' and

234 East Marquette Road, Chicago, IL 60637  
Phone: (800) NEED NOW Fax: (888) NEED NOW  
(800) 633 - 3669 (888) 633 - 3669  
E-Mail: neednow@qnc.com www.quamspeakers.com

Quam-Nichols Company

