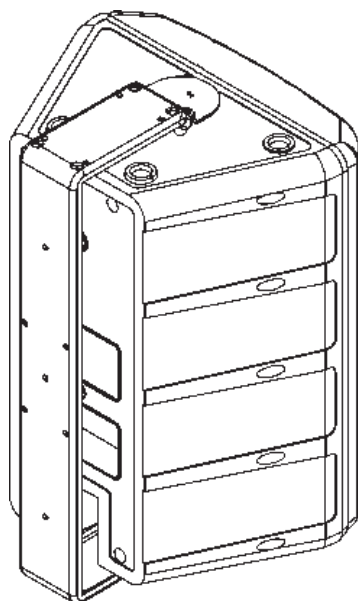


Mb200

And Mb200W Installation Kit



- Mounting kit for System™ 200 speakers
- May be used in conjunction with OmniMount® Series 100 support system¹
- Versatile design allows the speaker to be aimed at any angle from wall or ceiling
- Provides a rigid frame for flying one or two speakers
- Creates arrays of two to six speakers when used with the Mb300 Horizontal Array Kit

Description

The Mb₂₀₀ installation kit consists of a U-bracket, two M8 x 1.25 hex-head bolts, four lock washers, two friction pads, and two 3/8-24 hex-head bolts (see Chart 1). The kit is designed to accommodate the System 200™ installation in a variety of ways.

Wall or Ceiling Mounting:

The robust design of the Mb₂₀₀ installation bracket allows the System 200™ speakers to be mounted in almost any position to obtain the desired sound coverage (see Figure 3).

Flying Installations

The Mb₂₀₀ bracket “captures” the speaker

in a rigid frame which has structurally sound locations for attaching rigging hardware. These attachment points are four 12.7-mm (1/2-in.) diameter holes located on the ends of the bracket. A 3/8-in. “quick link” (or similar hardware) can be readily connected to each attachment point.

System 200™ speakers can be flown individually in either a horizontal or vertical position, or two speakers can be flown together in a vertical position (see Figures 4 and 5).

System 200™ Horizontal Arrays

Arrays of two to six speakers are securely supported in a frame comprised of Mb₂₀₀ and Mb₃₀₀ brackets. To create a horizontal array, two Mb₂₀₀ brackets are simply locked into the correct alignment position using the brackets from the Mb₃₀₀ Horizontal Array

Kit (see Figure 6). The array is extended by using one additional Mb₂₀₀ bracket and one Mb₃₀₀ kit for each additional speaker. To complete the circle for a six speaker array, one additional Mb₃₀₀ kit is required. Please refer to Chart 2 to select the exact number of each kit needed, based on desired array size. (Note: refer to Mb₃₀₀ Horizontal Array Kit engineering data sheet for detailed instructions on System 200™ horizontal array construction using Mb₂₀₀ Installation and Mb₃₀₀ Horizontal Array Kits.)

CHART 1: Mb₂₀₀ Installation Kit Parts List

Item	Description	Quantity	Part Number
A	Bracket	1	71914
B	M8 x 1.25 hex head bolt	2	63310
C	5/16 split ring lock washer	2	38144
D	3/8-24 hex head bolt	2	63311
E	3/8 split ring lock washer	2	38834
F	Friction washer	2	38829

CHART 2: Kit Requirements for System 200™ Horizontal Array Construction

# of Enclosures in Array:	# of Kits Req'd	
	Mb ₂₀₀	Mb ₃₀₀
2	2	1
3	3	2
4	4	3
5	5	4
6 (complete circle)	6	6

Mb200/Mb200W Installation Kit

Wall Mounting Instructions

CAUTION: Due to the weight of System 200™ speakers, it is imperative that the Mb200 bracket be properly secured to the wall or ceiling. The choice of fastener (not provided with this kit) will be determined by the material and construction of the mounting surface.

1. Refer to Figure 1 for the following steps.
2. Remove the paper backing from one of the friction pads (F) and, making sure the holes are aligned, attach to the U-bracket (A) as shown. Attach the second friction pad in a similar manner.
3. Attach the U-bracket to the wall or ceiling using fasteners (not supplied) that are suitable for the construction material.
4. Remove the hole plugs from the ends of the System 200™ speaker by gently prying with a small screwdriver.
5. Place one of the smaller lock washers (C) on each of the two M8 bolts (B).
6. Place the speaker into the U-bracket and finger tighten the M8 bolts.
7. Rotate the speaker so that the input panel is accessible and attach the wires to the input panel.
8. Position the speaker for the desired coverage and gently tighten the M8 bolts until the speaker will no longer rotate. **DO NOT OVERTIGHTEN.**

Note: The $\frac{3}{8}$ -24 bolts (D) are used to lock the speaker parallel to the bracket and prevent it from being rotated. This is needed when arraying the speaker for proper alignment and when flying in the vertical position.

Flying Instructions

NOTE: A maximum of two speakers can be suspended together vertically using the Mb200 installation bracket.

1. Refer to Figure 1 for the following steps.
2. Remove the paper backing from one of the friction pads (F) and, making sure the holes are aligned, attach to the U-bracket (A) as shown. Attach the second friction pad in a similar manner.
3. Remove the hole plugs from the ends of

Mb200 SPECIFICATION GRAPHICS

FIGURE 1 — Attaching Mb200 Bracket to System 200™ Speaker (exploded view)

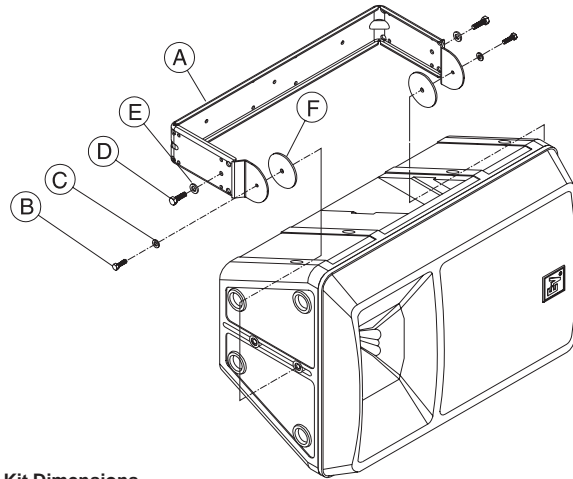


FIGURE 2 — Mb200 Installation Kit Dimensions

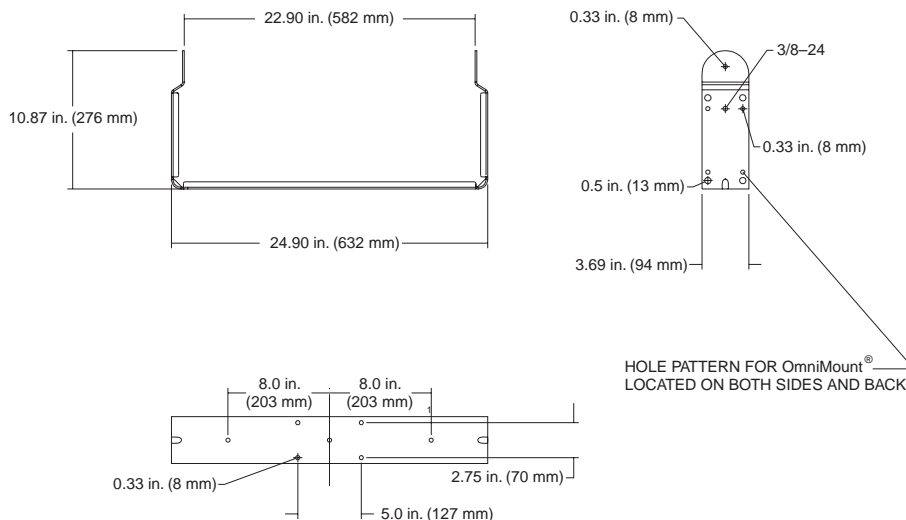
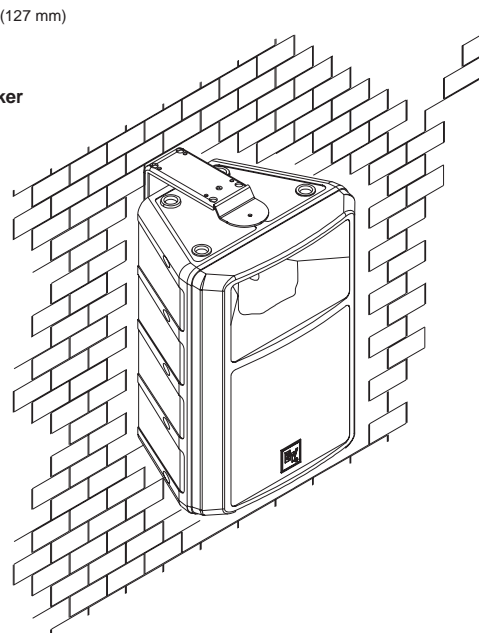


FIGURE 3 — Wall-Mounting a System 200™ Speaker Using the Mb200 Installation Kit



1. OmniMount is a registered trademark of OmniMount Systems, Inc.

Mb200/Mb200W Installation Kit

FIGURE 4A — Correct and Incorrect Eyebolt Orientation

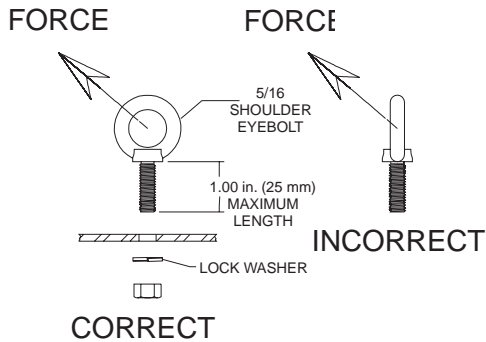


FIGURE 4B — Horizontal Suspension of a System 200™ Speaker Using Mb200 Installation Kit (side view)

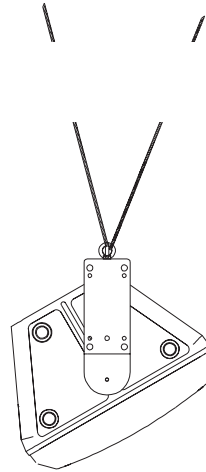


FIGURE 4C — Horizontal Suspension of a System 200™ Speaker Using Mb200 Installation Kit (isometric view)

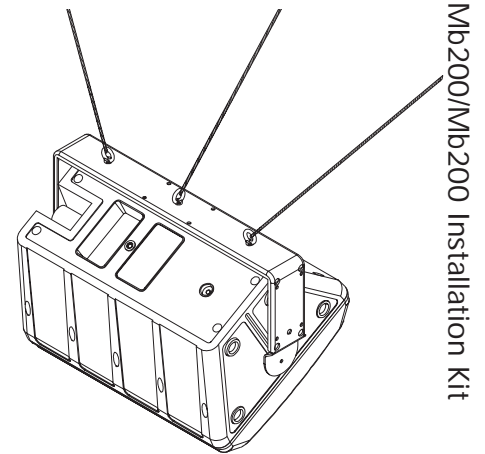


FIGURE 5A — Vertical Suspension of a System 200™ Speaker Using Mb200 Installation Kit

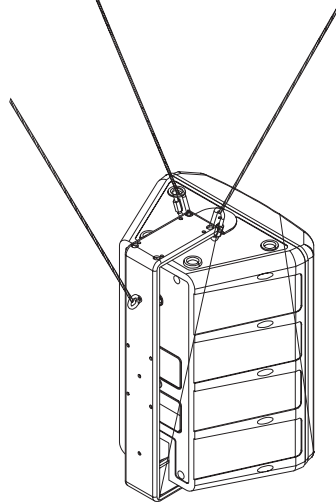


FIGURE 5B — Vertical Suspension of Two System 200™ Speakers Using Mb200 Installation Kit

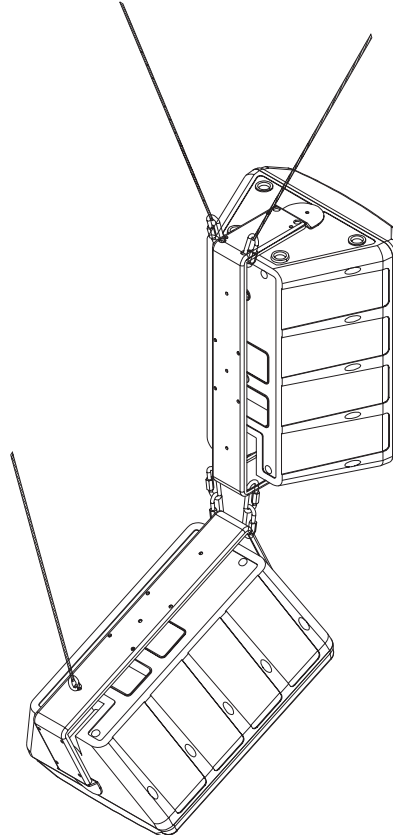
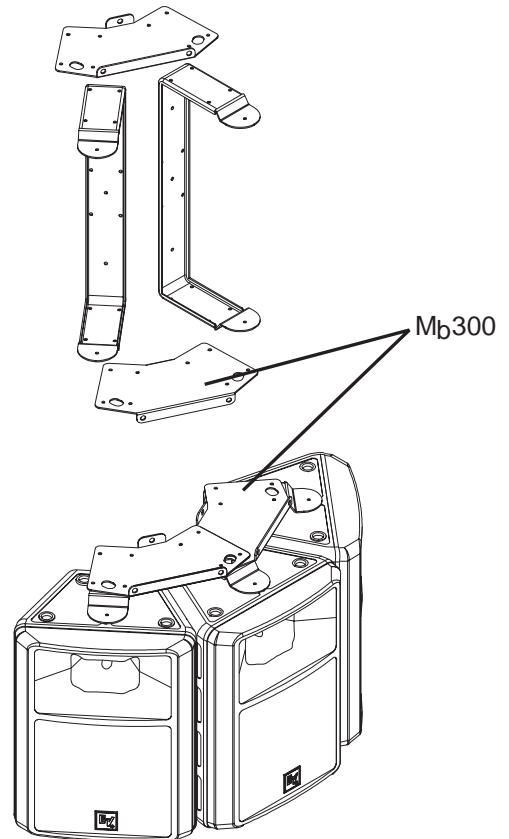


FIGURE 6A — Frame Structure for Horizontal Array in Position for Assembly (comprised of Mb200 and Mb300 brackets)



WARNING:

Suspending any object is potentially dangerous and should be attempted only by individuals who have a thorough knowledge of the techniques and regulations of rigging objects overhead. Electro-Voice sanctions suspending the System 200™ speakers only when all current national, federal, state and local regulations are taken into account. When the System 200™ speaker is suspended, Electro-Voice strongly recommends that system be inspected at least once a year. If any sign of weakness is detected, corrective action should be taken immediately.

FIGURE 6B — System 200™ Horizontal Array (assembled)

Mb200/Mb200W Installation Kit

Limited Warranty

Electro-Voice products are guaranteed against malfunction due to defects in materials or workmanship for a specified period, as noted in the individual product-line statement(s) below, or in the individual product data sheet or owner's manual, beginning with the date of original purchase. If such malfunction occurs during the specified period, the product will be repaired or replaced (at our option) without charge. The product will be returned to the customer prepaid. **Exclusions and Limitations:** The Limited Warranty does not apply to: (a) exterior finish or appearance; (b) certain specific items described in the individual product-line statement(s) below, or in the individual product data sheet or owner's manual; (c) malfunction resulting from use or operation of the product other than as specified in the product data sheet or owner's manual; (d)

malfunction resulting from misuse or abuse of the product; or (e) malfunction occurring at any time after repairs have been made to the product by anyone other than Electro-Voice Service or any of its authorized service representatives. **Obtaining Warranty Service:** To obtain warranty service, a customer must deliver the product, prepaid, to Electro-Voice Service or any of its authorized service representatives together with proof of purchase of the product in the form of a bill of sale or receipted invoice. A list of authorized service representatives is available from Electro-Voice Service at 600 Cecil Street, Buchanan, MI 49107 (800/234-6831 or FAX 616/695-4743). **Incidental and Consequential Damages Excluded:** Product repair or replacement and return to the customer are the only remedies provided to the customer. Electro-Voice shall not be liable for any incidental or consequential damages including, without limitation, injury to persons or prop-

erty or loss of use. Some states do not allow the exclusion or limitation of incidental or consequential damages so the above limitation or exclusion may not apply to you. **Other Rights:** This warranty gives you specific legal rights, and you may also have other rights which vary from state to state.

Electro-Voice Accessories are guaranteed against malfunction due to defects in materials or workmanship for a period of one (1) year from the date of original purchase. Additional details are included in the Uniform Limited Warranty statement.

For warranty repair or service information, contact the service repair department at: 616/695-6831 or 800/685-2606.

For technical assistance, contact Technical Support at 800/234-6831 or 616/695-6831, M-F, 8:00 a.m. to 5:00 p.m. Eastern Standard Time.

Specifications subject to change without notice.

Specifications:

Wall Mounting Holes:

Three 8-mm ($\frac{5}{16}$ -in.) diameter holes spaced 20.3cm (8.0 in.) apart (see Figure 2)

Enclosure Mounting Holes:

Two 8-mm ($\frac{5}{16}$ -in.) diameter holes, top and bottom

Material:

10-gauge cold-rolled steel

Finish:

Black wrinkle powdered coat

Net Weight:

3.40 kg (7.50 lb)

Shipping Weight:

3.83 kg (8.44 lb)

Electro-Voice®

600 Cecil Street, Buchanan, MI 49107

616/695-6831, 616/695-1304 Fax

©EVI Audio 1999 • Litho in U.S.A.