



### SPECIFICATIONS

#### Dimensions

See Figure 2

#### Weight

0.68 kg (1.5 lbs) net

0.91 kg (2.0 lbs) packaged

### REPLACEMENT PARTS AND ACCESSORIES

Cable (10 ft).....C121

Base Plate Bumpers.....80A8053A

### GENERAL

The Shure A412B microphone base allows gooseneck microphones to be quickly mounted in situations where permanent installation is impractical. The angled XLR input connector maintains a low profile, while inside the base there is ample room for custom circuitry.

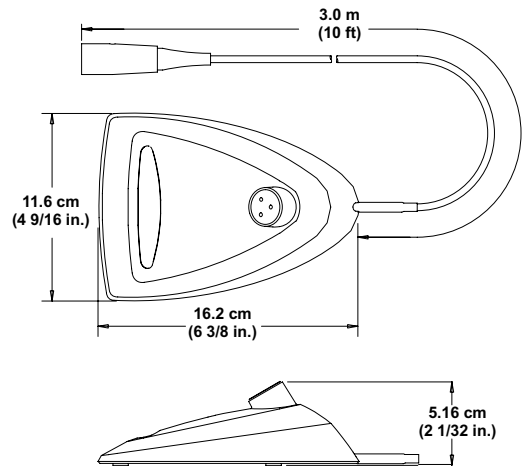
### INSTALLATION

#### Attaching a Microphone to the Base

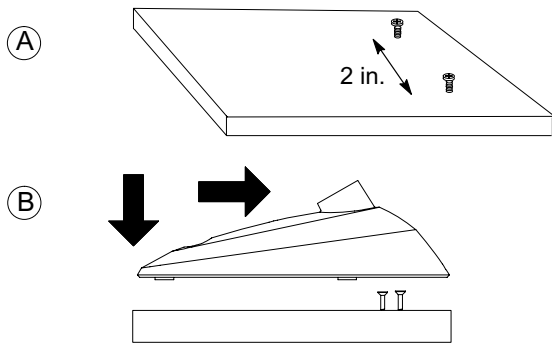
Insert the XLR connector on the microphone into the female XLR connector on the top of the microphone base.

#### Securing the Microphone Base to a Surface (Optional)

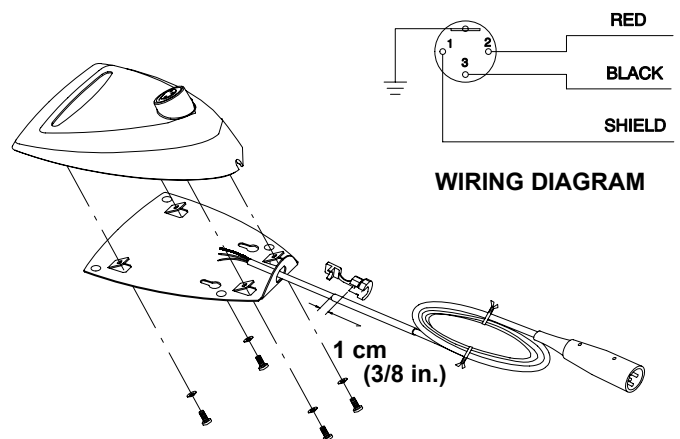
1. Install two No. 6 wood screws, two inches apart, on the mounting surface (see Figure 1, diagram A).
2. Place the key holes over the screw heads and push the microphone into position. Adjust the height of the screws as necessary to secure the microphone (see Figure 1, diagram B).



DIMENSIONS  
FIGURE 2



SECURING THE A412B TO A MOUNTING SURFACE  
FIGURE 1



REMOVING THE BACK PLATE  
FIGURE 3