

SPECIFICATIONS

Cartridge Type	Permanently-biased Condenser
Frequency Response	20 to 20,000 Hz (see Figure 4)
Directional Polar Pattern	Cardioid (see Figure 5)
Output Impedance	150 Ω (actual)
Attenuation Switch	0 or -15 dB attenuation
Low Frequency response switch	flat; -6 db/octave below 115 Hz; -18 dB/octave below 80 Hz
Phantom Power	48 Vdc \pm 4 Vdc (IEC-268-15/DIN 45 596), positive pins 2 and 3
Current Drain	4.65 mA typical at 48 Vdc
Common Mode Rejection	\geq 50 dB, 20 Hz to 20 kHz
Polarity	Positive pressure on diaphragm produces positive voltage on output pin 2 relative to pin 3
Dimensions and Weight	55.9 mm (2.20 in.) maximum body diameter, 187 mm (7.37 in.) long (see Figure 6) 490 grams (17.3 oz.)
Sensitivity (typical, at 1000 Hz; 1 Pa = 94 dB SPL)	-36 dBV/Pa (16 mV)
Self-noise (typical, equivalent SPL; A-weighted, IEC 651)	13 dB
Maximum SPL at 1000 Hz 2500 Ω load (Attenuator on) 1000 Ω load (Attenuator on)	139 (154) dB 133 (148) dB
Output Clipping Level* 2500 Ω load 1000 Ω load	+9 dBV +3 dBV
Dynamic Range 2500 Ω load 1000 Ω load	126 dB 119 dB
Signal to Noise ratio**	81 dB
Total Harmonic Distortion (THD), 2500 Ω load	<0.08% for a 120 dB equivalent SPL input.

*20 Hz to 20 kHz; THD < 1%. THD of microphone preamplifier when applied input signal is equivalent to cartridge output at specified SPL.

**S/N ratio is difference between 94 dB SPL and equivalent SPL of self-noise, A-weighted.

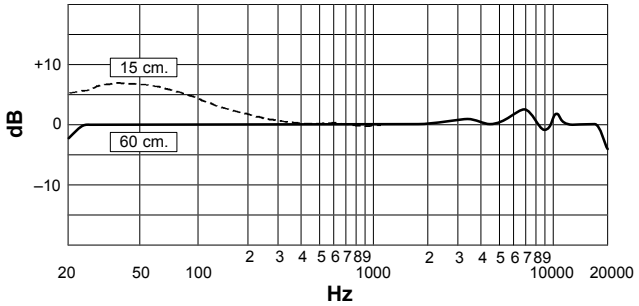


FIGURE 4. TYPICAL FREQUENCY RESPONSE

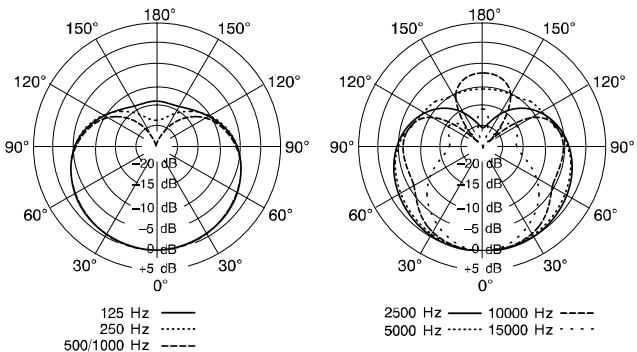


FIGURE 5. TYPICAL POLAR PATTERNS

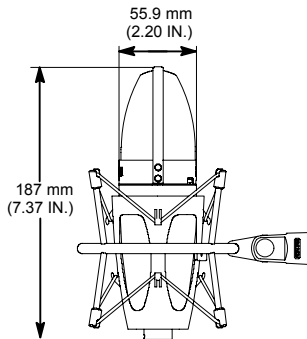


FIGURE 6. DIMENSIONS