



GENERAL

The UNISPHERE I 565 Series microphones are dual-impedance, unidirectional dynamic microphones with a strong, wire-mesh, spherical front grille that contains a highly effective wind and “pop” filter.

Shipped connected for low-impedance operation, 565 Series microphones provide excellent vocal or speech reproduction on lecterns and stages, and are a popular choice for use in public auditoriums, churches, convention halls, and schools.

FEATURES

- Selectable dual impedance operation
- Silent magnetic reed on/off switch with lock-on option
- Cardioid dynamic
- Frequency response: 50 to 15,000 Hz

MODEL VARIATIONS

Model 565SD-CN: Supplied with 6.1 m (20 ft) XLR cable.

Model 565SD-LC: No cable supplied.

CONNECTIONS

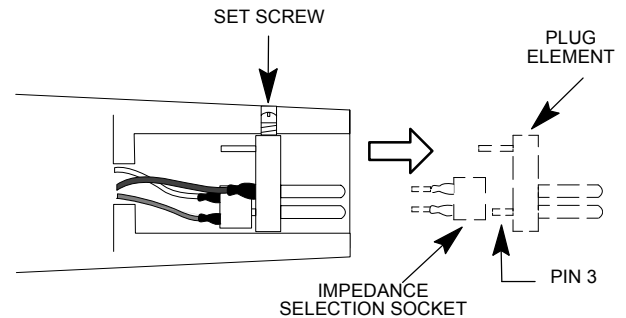
When using the microphone with a balanced input, pins 2 and 3 are the audio signal carriers. When using the microphone with an unbalanced input, use a cable wired with pin 2 as the signal carrier and pin 3 connected to the cable shield (ground), such as the Shure C20HZ high-impedance cable.

IMPEDANCE SELECTION

The microphone is shipped connected for low impedance operation. To change to high impedance, proceed as follows (refer to Figure 1):

1. Remove plug element at receptacle end of microphone by turning slotted setscrew in (counterclockwise) and carefully withdrawing plug element from case.
2. Disconnect 2-terminal impedance selection socket from rear of plug element.
3. Reconnect 2-terminal impedance selection socket in reverse position so that pin 3 of plug element is inserted in socket terminal “H” (White).

4. Reassemble plug element into microphone and seal setscrew securely by turning out (clockwise).



IMPEDANCE SELECTION-RECEPTACLE END OF MICROPHONE
FIGURE 1

POLARITY

All cables and microphones should be tested to ensure that they have the same polarity. To test two microphones and/or their cables for proper polarity, connect them to an amplifier and talk or sing into them while holding them three or four inches apart. The sound from the speakers should be the same when talking into either microphone or directly between them. If the sound drops drastically, or if a dead spot is found when talking between the two microphones, either the microphones or their cables have opposite polarity.

To change the polarity of a microphone cable, either use a Shure A15PRS phase reverser or interchange the wires connected to pins 2 and 3 of the three-pin connector at one end of the cable. To change the polarity of a microphone, the microphone cartridge leads must be interchanged. This should be performed by your dealer, the Shure Factory Service Department, or other qualified service personnel.

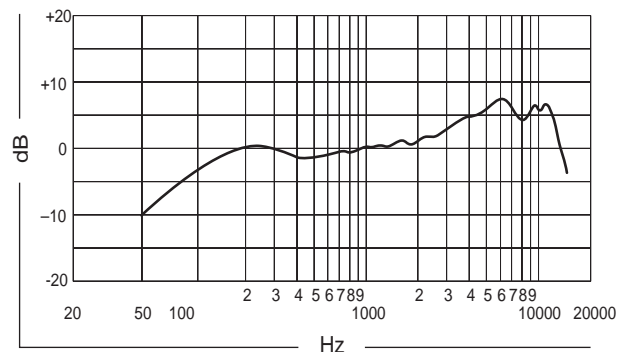
SPECIFICATIONS

Type

Dynamic

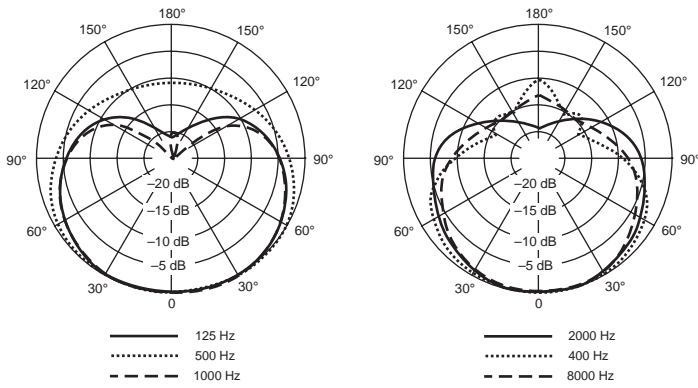
Frequency Response

50 to 15,000 Hz



Polar Pattern

Cardioid (unidirectional)-uniform with frequency, symmetrical about axis



Impedance

Dual. Microphone rating impedance is 150 ohms (250 ohms actual) for connection to microphone inputs rated at 19 to 300 ohms and "High" for connection to high-impedance microphone inputs.

Wired for low impedance as supplied. To change impedance, see sections on Impedance Selection and Connections.

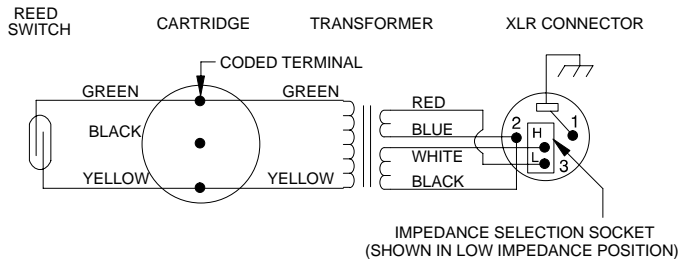
Output Level (at 1,000 Hz)

	"L"	"H"
Open Circuit Voltage*	-56.0 dB (1.6 mV)	-34.0 dB (20 mV)

*0 dB = 1 volt per Pascal (1 Pa = 94 dB SPL)

Polarity

Positive pressure on diaphragm produces positive voltage on pin 2 (with respect to pin 3).



Switch

Built-in magnetic reed on/off switch with lockplate. To lock switch in the ON position, remove screw on lockplate and turn lockplate 180°. Reassemble and tighten screw.

Cartridge Shock Mount

Internal rubber vibration-isolator

Cable

565SD-CN: 6.1 m (20 ft) two-conductor shielded, rubber-jacketed, detachable, with XLR connectors.

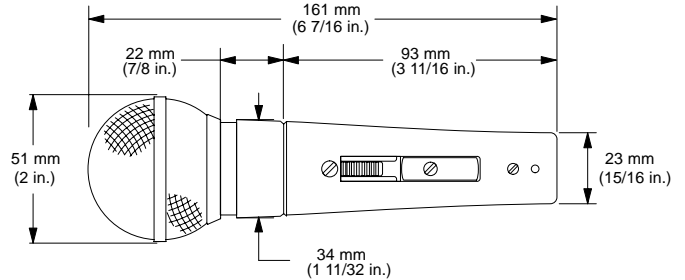
Swivel Adapter

Positive action, adjustable through 90° from vertical to horizontal, permits easy removal for handheld use, suitable for mounting on stand with 5/8"-27 thread

Case

Chrome-plated die casting with steel mesh grille

Dimensions



Net Weight (less cable)

298 grams (10.5 oz)

CERTIFICATIONS

Eligible to bear CE Marking. Conforms to European EMC Directive 89/336/EEC. Meets applicable tests and performance criteria in European Standard EN55103 (1996) parts 1 and 2, for residential (E1) and light industrial (E2) environments.

FURNISHED ACCESSORY

Swivel Adapter A25D

REPLACEMENT PARTS

Cartridge R65
Screen and Grille RS65
Plug Element..... RK169P

OPTIONAL ACCESSORIES

Line Matching Transformer A95 Series
Desk Stand S37A, S39A
Isolation Mount..... A55M
Dual Mount..... A26M
Windscreen A58WS Series
Cable, LO-Z (7.6 m [25 ft])..... C25J
Cable, HI-Z (6.1 m [20 ft]) C20HZ