



### GENERAL

The Model 55SH Series II provides the Shure classic UNIDYNE. II design coupled with modern acoustic components to meet today's performance standards. This microphone is excellent for vocal pickup with its characteristic Shure presence peak.

The 55SH Series II has a cardioid (unidirectional) polar pickup pattern that minimizes sound pickup from the rear of the microphone. This allows the Model 55SH Series II to be used in close proximity to loudspeakers without creating feedback problems, and it can perform under adverse acoustic conditions where omnidirectional microphones cannot.

The 55SH Series II has a low-impedance balanced output designed for connection to microphone inputs rated at 75 to 300 ohms. The microphone features a cartridge shock mount to reduce stand noise, an On/Off switch, and an attached, self-tensioning, 5/8"-27 thread swivel mount.

This microphone is ideal for public address or theater-stage sound systems, as well as for broadcasting, recording, and other sound applications where a stand-mounted microphone with a classic look is desirable.

### Features

- *Classic appearance, modern performance*
- *Frequency response tailored for speech, vocals and instrumental music*
- *Cardioid directional pattern for optimum performance in adverse acoustic environments*
- *Shock-mounted cartridge minimizes stand-transmitted noise, ensures quiet operation*
- *Rugged die cast case and mechanical design for reliability under rigorous conditions*
- *Self-tensioning swivel mount, permits tilting through 45 forward and 80 backward*

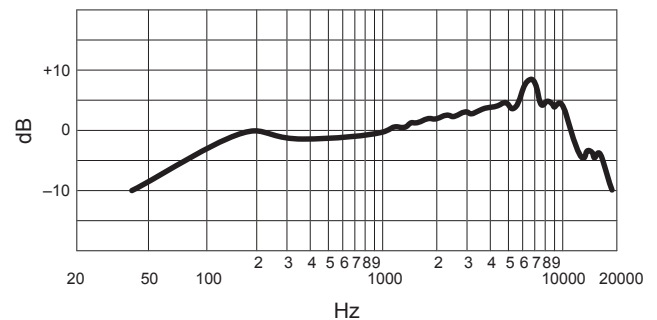
### SPECIFICATIONS

#### Type

Dynamic

#### Frequency Response

50 to 15,000 Hz (See Figure 1)

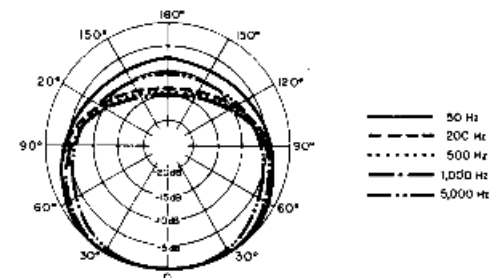


TYPICAL FREQUENCY RESPONSE

FIGURE 1

#### Polar Pattern

Cardioid (unidirectional), uniform with frequency, symmetrical about axis (see Figure 2)



TYPICAL POLAR PATTERNS

FIGURE 2

**Impedance**

Microphone rating impedance is 150 ohms (270 ohms actual) for connection to microphone inputs rated at 75 to 300 ohms

**Sensitivity (at 1,000 Hz)**

Open Circuit Voltage..... -58.0 dBV/Pa (1.3 mV)  
1 Pascal=94 dB SPL

**Polarity**

Positive pressure on the diaphragm produces positive voltage on pin 2 relative to pin 3 of the output connector

**Switch**

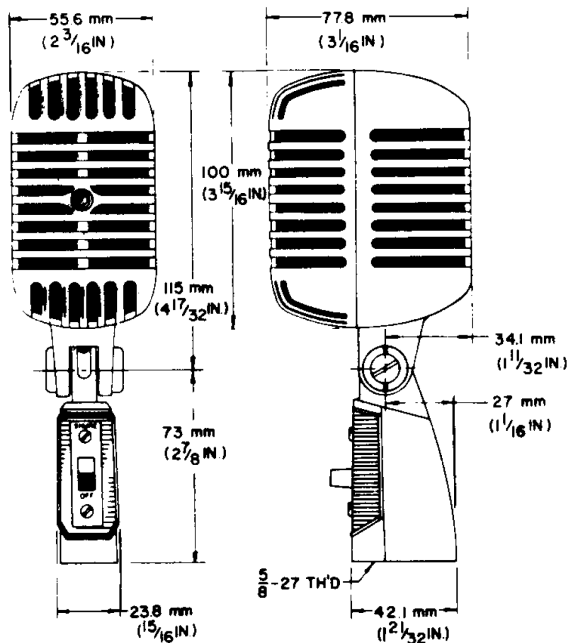
Built-in On/Off switch, integral part of swivel mount, connector Three pin professional type, designed to mate with Cannon XL series, Switchcraft A3 (Q.G.) series, or equivalent

**Case**

Chrome-plated die casting

**Dimensions**

See Figure 3



OVERALL DIMENSIONS  
FIGURE 3

**Net Weight**

624 grams (22 oz)

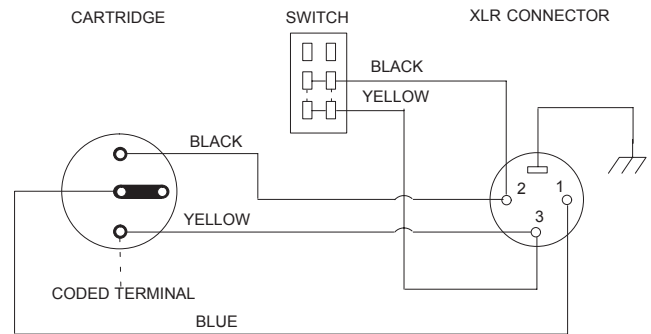
**CERTIFICATION**

Eligible to bear CE Marking. Conforms to European EMC Directive 89/336/EEC. Meets applicable tests and performance criteria in European Standard EN55103 (1996) parts 1 and 2, for residential (E1) and light industrial (E2) environments.

**POLARITY**

To test two microphones and their cables for common polarity, connect them to an amplifier and talk or sing into them while holding them three or four inches apart. The sound from the speakers should be the same when talking into either microphone or directly between them if they have common polarity. If the sound level drops drastically, or if a dead spot is found, when talking between the two microphones, either the microphones or their cables have different polarity. All cables and microphones can be tested in this manner to ensure that they have common polarity.

To reverse the polarity of a low-impedance microphone cable, use either a Shure A15PRS Switchable Phase Reverser or interchange the wires connected to pins 2 and 3 of the connector. To reverse the polarity of a microphone, interchange the cartridge leads (see Figure 4.) This should be performed by your dealer, the Shure Factory Service Department, or other qualified service personnel.



INTERNAL CONNECTIONS  
FIGURE 4

**OPTIONAL ACCESSORIES**

- Desk Stand..... S37A, S39A
- Line Matching Transformer ..... A85F, A95UF
- Cable and Plug Assembly..... C25B, C25E, C25J

**REPLACEMENT PARTS**

- Cartridge ..... R115
- On/Off Switch..... RK32S
- Plug Element..... RK169P

For additional service or parts information, please contact Shure's Service department at 1-800-516-2525 or [www.shure.com](http://www.shure.com). Outside the United States, please contact your authorized Shure Service Center.



SHURE Incorporated Web Address: <http://www.shure.com>  
5800 W. Touhy Avenue, Niles, IL 60714-4608, U.S.A.  
In U.S.A., Phone: 1-847-600-2000 Fax: 1-847-600-1212  
In Europe, Phone: 49-7131-72140 Fax: 49-7131-721414  
In Asia, Phone: 1-852-2893-4290 Fax: 1-852-2893-4055  
International Fax: 1-847-600-6446