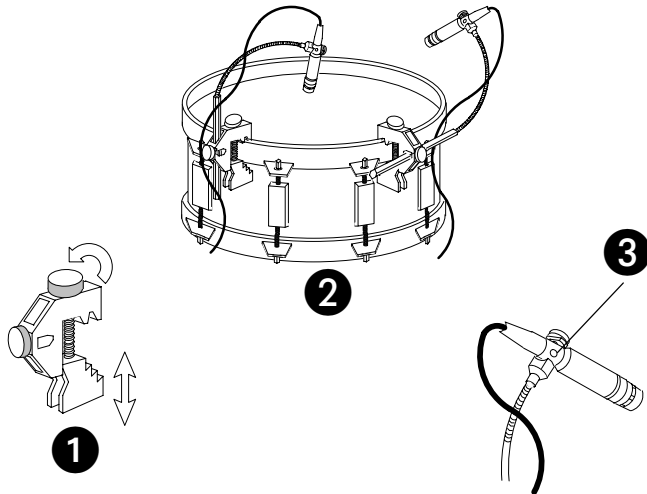


GENERAL

The Shure A98D mounts Shure BETA 98/S or SM98A microphones on a drum or cymbal. The gooseneck adapter can be inserted into the horizontal or vertical slots of the clamp for optimum flexibility in microphone placement.

The clamp fits drum rims measuring from 1/2-in. (12.7 mm) to 2 1/4 -in. (57.2 mm) in height, or on cymbal stands measuring from 3/8-in. (9.5 mm) to 1 1/8-in. (28.6 mm) in diameter.

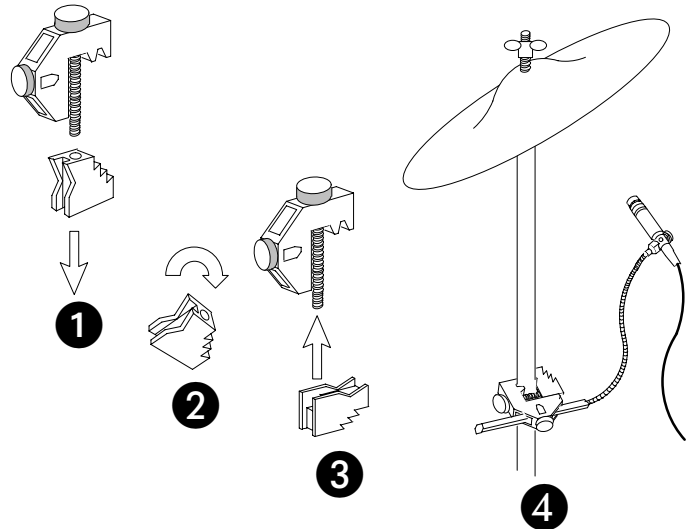
DRUM RIM MOUNTING



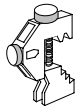
WARNING: Do NOT tighten the thumbscrew on the plastic section of the connector as this could cause damage.

NOTE: To minimize potential noise or damage, position the microphone outside the drummer's range of stick movement and cymbal movement.

CYMBAL STAND MOUNTING



REPLACEMENT PARTS



Clamp Assembly RPM618



Jaw 32A866



SHURE Incorporated <http://www.shure.com>
 United States, Canada, Latin America, Caribbean:
 5800 W. Touhy Avenue, Niles, IL 60714-4608, U.S.A.
 Phone: 847-600-2000 U.S. Fax: 847-600-1212 Intl Fax: 847-600-6446
 Europe, Middle East, Africa:
 Shure Europe GmbH, Phone: 49-7131-72140 Fax: 49-7131-721414
 Asia, Pacific:
 Shure Asia Limited, Phone: 852-2893-4290 Fax: 852-2893-4055