

### REPLACEMENT CARTRIDGE KITS

#### R183B, R183W, R184B, R184W, R185B, AND R185W

##### GENERAL

Use the enclosed replacement cartridge with any Microflex® microphone.

##### APPLICATIONS

**R183 (Omnidirectional):** Sound reinforcement, recording, or remote monitoring applications. Low handling noise. Pickup angle = 360°.

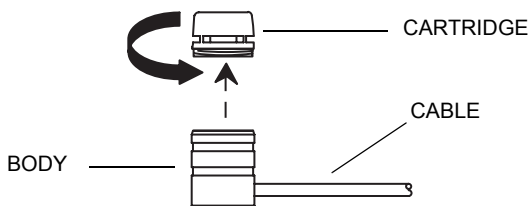
**R184 (Supercardioid):** Sound reinforcement applications requiring high rejection of ambient noise and narrow pickup angle. Use of windscreen highly recommended. Pickup angle (-3db) = 115°.

**R185 (Cardioid):** Sound reinforcement applications requiring good rejection of ambient noise. Use of windscreen highly recommended. Pickup angle (-3db) = 130°.

(B=Black; W=White)

##### CHANGING CARTRIDGES

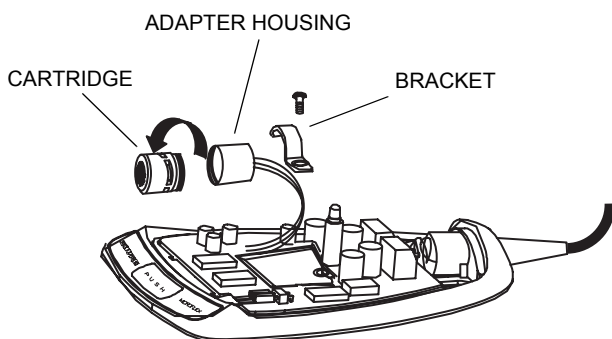
Simply unscrew the cartridge from the microphone base and replace it.



REMOVING A MICROPHONE CARTRIDGE  
**FIGURE 1**

### CHANGING CARTRIDGES IN MX300 SERIES BOUNDARY MICROPHONES

Remove the top grille and unscrew the cartridge retaining bracket. Lift the adapter housing to replace the cartridge. See the users guide that accompanied the microphone for details.



CARTRIDGE REPLACEMENT  
**FIGURE 2**

For additional technical assistance, phone Shure at 1-847-600-8440. In Europe, phone 49-7131-72140.

**Trademark Notices:** SHURE, the Shure logo, and MICROFLEX are registered trademarks of Shure Incorporated.

