

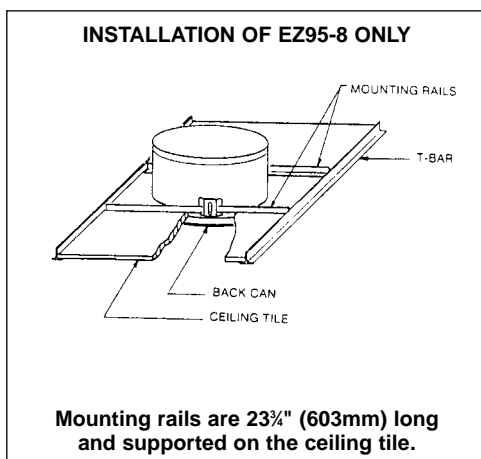
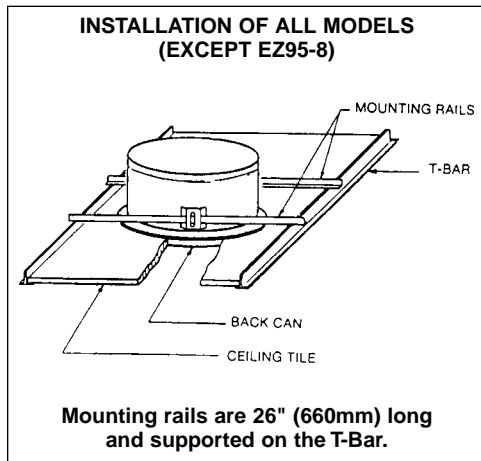


EZ MOUNT ENCLOSURE / RAIL SYSTEM FOR 4" AND 8" LOUDSPEAKERS

EZ96-4(X), EZ95-8
EZE49, EZ96-8
EZE410, EZ195-8



**EZ Mount Enclosure System
(EZ95-8 shown)**



FEATURES

- Patented Enclosure/Rail System Installs Easily to Provide Time and Labor Savings
- Eliminates the Need for Tile Bridges and Time-Consuming Screw Mounting
- Available—Factory Mounted—on Popular Atlas Sound 4" and 8" Round Enclosures
- Accommodates a Wide Selection of Atlas Sound Baffles
- Offered for Suspended Ceiling Applications

APPLICATIONS

Utilize the patented EZ Mount Enclosure/Rail System for quick and efficient installation of standard 4" and 8" loudspeakers in suspended ceiling applications. EZ Mount enclosure models (refer to chart on back) accommodate a variety of Atlas Sound screw mount and torsion spring, round, and square baffles.

GENERAL DESCRIPTION

The EZ Mount Support System (Patent # 4,484,658) is available on Atlas Sound's most popular 4" and 8" round enclosures. It also accommodates the same wide selection of baffles to meet your specifications and to provide inventory flexibility (refer to chart on back). The EZ Mount Enclosure/Rail System transfers the composite weight of the loudspeaker, baffle, and enclosure to the ceiling's support members via adjustable support rails (included). The rails may be adjusted vertically and then secured to the specially designed, pre-mounted enclosure brackets with screws (furnished). No tile bridge or time-consuming screw mounting is necessary.

Enclosure Models EZ96-4, EZ96-4X, EZE49, and EZE410 accommodate standard 4" loudspeakers; Models EZ95-8, EZ96-8, and EZ195-8 accommodate standard 8" loudspeakers. These welded, heavy-gauge CRS enclosures are finished in a textured black epoxy and undercoated to prevent mechanical and acoustical resonances. All units are equipped with conduit knockouts. The support rails are also heavy-gauge CRS and finished in a galvanized coating.

Note: For suspended ceiling installations that do not require protective enclosures, a similar EZ Mount Support System is available for pre-assembled 4" and 8" loudspeaker/transformer/baffle packages. Refer to SL1-1197.

ARCHITECT AND ENGINEER SPECIFICATIONS

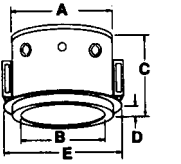
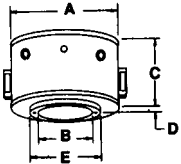
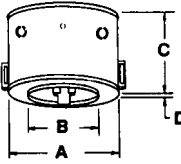
Enclosure for suspended ceiling installations shall be Atlas Sound Model _____. Enclosure shall incorporate the EZ Mount Support System which includes pre-mounted brackets, wingnuts, and support rails. It shall be capable of transferring the combined weight of the loudspeaker assembly to the ceiling's support members via adjustable rails. Unit shall be of welded CRS construction, finished in textured black epoxy, and be undercoated to guard against acoustical and mechanical resonance. Unit shall also be equipped with conduit knockouts. Enclosure shall mount Atlas Sound (screw mount, torsion spring) baffle Model _____.

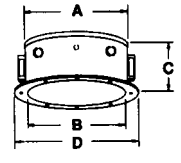
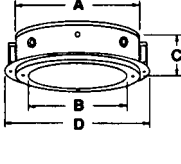
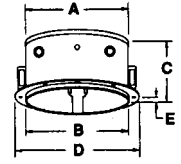
Specifications subject to change without notice



1601 JACK MCKAY BLVD. / ENNIS, TEXAS 75119 U.S.A. / TELEPHONE: (800) 876-3333 / FAX (800) 765-3435

MOUNTING RAIL SPECIFICATIONS	EZ95-8: 23 3/4" (603MM)	ALL OTHER MODELS: 26" (660MM)
-------------------------------------	--------------------------------	--------------------------------------

EZ MOUNT ENCLOSURES FOR 4" LOUDSPEAKERS							
MODEL	DIMENSIONS					MOUNTS BAFFLE MODEL*	
	A	B	C	D	E		
	EZ96-4	6 1/4" (159mm)	5 1/8" (130mm)	4 1/4" (108mm)	1/2" (13mm)	7 1/8" (181mm)	51-4, 60-4
	EZ96-4X	10 1/8" (257mm)	5 1/8" (130mm)	6" (152mm)	1/2" (13mm)	6 1/4" (159mm)	51-4, 60-4
	EZE410	10 1/8" (257mm)	6 3/8" (162mm)	6" (152mm)	1/2" (13mm)	—	T51-4, T60-4, T710-4, T720-4(BT), T740-4, T730-4B(4G)

EZ MOUNT ENCLOSURES FOR 8" LOUDSPEAKERS							
MODEL	DIMENSIONS					MOUNTS BAFFLE MODEL*	
	A	B	C	D	E		
	EZ95-8	10 1/8" (257mm)	9 7/8" (251mm)	4 1/4" (108mm)	11 3/4" (298mm)	—	51-8, 60-8(W), 61-8W, (T)62-8, 63-8, 67-8(W), 68-8W, 170-8, G22-8, M222, M222W, P900, T51-8, T60-8, T61-8W, T610-8, T710-8, T720-8A, TM222W
	EZ96-8	11 15/16" (303mm)	10 3/4" (273mm)	4 1/4" (108mm)	13 1/2" (343mm)	—	G22-8, 51-8, 60-8(W), 61-8W, 62-8, 63-8, 67-8(W), 68-8W, 170-8, M222, M222W, P900
	EZ195-8	10" (254mm)	10 1/8" (257mm)	5 1/2" (140mm)	11 3/4" (298mm)	1 1/8" (18mm)	T730-8B(8G)

* Baffles with "T" prefix indicate torsion spring mounting.

MOUNTING RAIL SPECIFICATIONS	EZ95-8: 23 3/4" (603mm)	All other models: 26" (660mm)
-------------------------------------	-------------------------	-------------------------------

Specifications subject to change without notice



1601 JACK MCKAY BLVD. / ENNIS, TEXAS 75119 U.S.A. / TELEPHONE: (800) 876-3333 / FAX (800) 765-3435