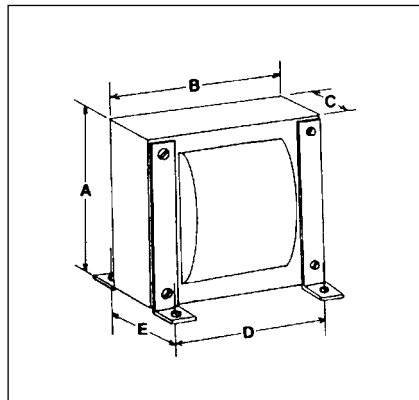




AF140



FEATURES

- Serves as a Method for Matching Loudspeaker Loads to Amplifier Outputs
- Suitable for Professional and Commercial Sound Applications

APPLICATIONS

Atlas Sound AF140 autoformer can be used to solve a wide variety of impedance-matching and voltage step-up/step-down problems. Unit serves as an efficient method for matching impedance or voltage levels between power amplifier outputs and loudspeaker loads at high power levels. Model AF140 is suitable for use in a wide variety of professional and commercial sound applications. (For unit conversions, reference charts and diagrams, see SL1-1450.)

GENERAL DESCRIPTION

Model AF140 consists of a single coil autoformer with multiple taps for maximum flexibility in matching a wide variety of loudspeaker loads to power amplifier outputs. A single AF140 will handle loads up to 150 watts and by connecting two units in series, power handling capacity can be increased to 300 watts.

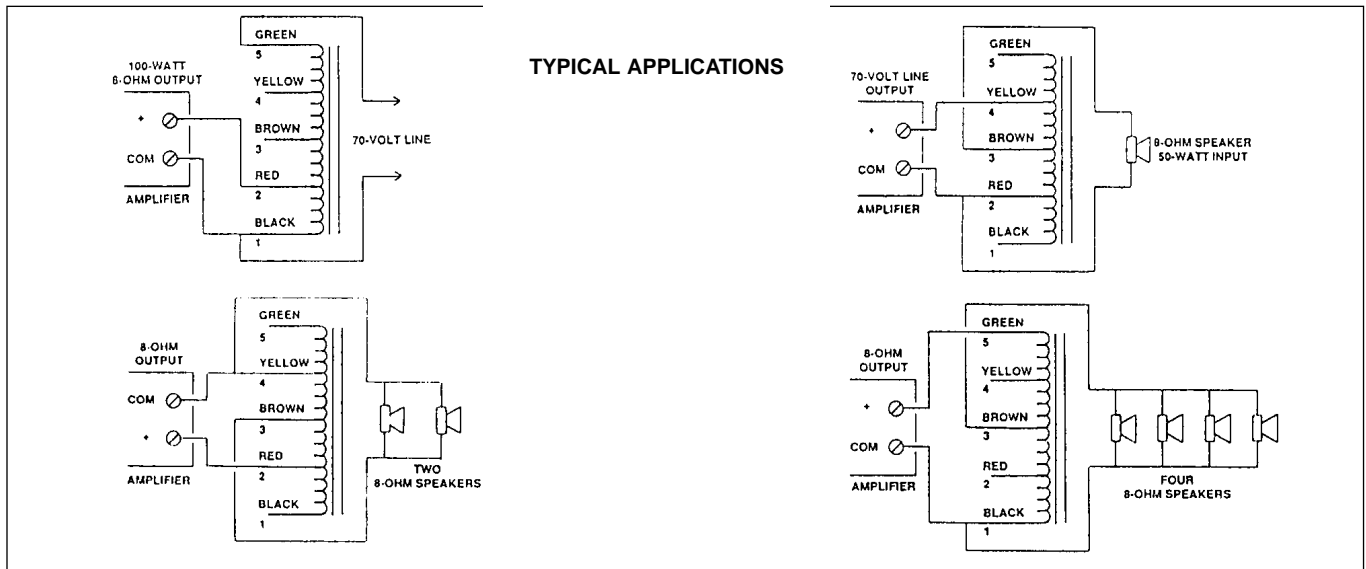
SPECIFICATIONS					
MODEL	FREQUENCY RESPONSE	INSERTION LOSS	TERMINATIONS	CORE SIZE	POWER RATING
AF140	30 Hz - 15kHz ± 1dB	.3dB	6" (152mm) Color Coded Leads	1 3/8" SQ. (35mm)	150 Watts

DIMENSIONS						
MODEL	A	B	C	D	E	WEIGHT
AF140	4 1/8" (105mm)	3 1/8" (87mm)	1 1/8" (35mm)	2 1/4" (70mm)	2 3/8" (60mm)	6.25 lbs. (2.8 kg)

ARCHITECT AND ENGINEER SPECIFICATIONS

Auto transformer shall be Atlas Sound Model AF140 or approved equal. It shall be capable of handling 150 watts of audio power with a frequency response of 30 Hz - 15kHz (+ 1dB). Dimensions shall be 4 1/8" H x 3 1/8" W x 1 1/8" D. External connections shall be via color-coded wire leads.

TYPICAL APPLICATIONS



Specifications subject to change without notice



1601 JACK MCKAY BLVD. / ENNIS, TEXAS 75119 U.S.A. / TELEPHONE: (800) 876-3333 / FAX (800) 765-3435