



SC Series

TECHNICAL SPECIFICATIONS

<b>Models:</b>	SC-15 (8-ohm) SC-15-45 (45-ohm)
<b>Power Rating:</b>	15 watts
<b>Freq. Resp. (8-ohm):</b>	600-6,000 Hz (±5dB)
<b>Sensitivity (SPL) (8-ohm):</b>	117dB at 15 watts (peak) 114dB at 15 watts/1 meter (avg) 600-6,000 Hz 103dB at 1 watt / 1 meter (avg) 600-6,000 Hz
<b>Sensitivity as a Microphone:</b>	-19dB
<b>Dispersion Angle:</b>	95° (-6dB, 2 kHz octave band)
<b>Dimensions:</b>	6¼" Dia. x 6⅝" D (159mm x 176mm)
<b>Weight:</b>	2½ lbs. (1.13kgs)
<b>Finish:</b>	Light beige epoxy

ARCHITECT AND ENGINEER SPECIFICATIONS

Loudspeaker shall be Atlas Sound \_\_\_\_\_ (Model SC-15 or SC-15-45) or approved equal. Continuous full range audio power rating shall be 15 watts at frequencies above horn cut-off. Frequency response shall be 600-6,000 Hz (±5dB). Sound pressure level shall be 114dB measured at rated power, 1 meter. Dispersion angle shall be 95°. Built-in compression driver shall have an impedance of \_\_\_\_\_ (8 or 45-ohms as specified). Finish shall be light beige epoxy. Weight is 2½ lbs. (1.13kgs).

ACCESSORIES:

- T-10: 25/70.7V Line Matching Transformer
- T-11: 25/70.7V Line Matching Transformer in Outdoor Housing

FEATURES

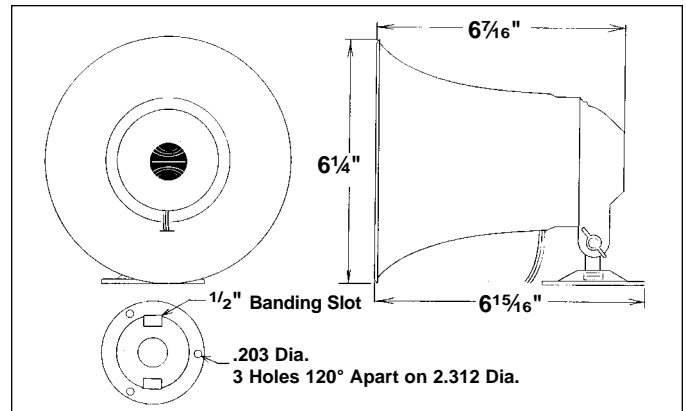
- Value-Priced, High Efficiency, Multi-Function Loudspeaker
- Precision-Built 15-Watt Compression Driver for Optimum Power and Intelligibility
- Environment Resistant Construction for Long Term Indoor/Outdoor Use
- Compact Size and Styling Enhance Application Flexibility

APPLICATIONS

Atlas Sound SC Series are compact, environment-resistant loudspeakers for high-efficiency sound and signaling in intercom, sound and alarm systems. Value-priced units are ideal as extension loudspeakers and communication receivers. They are intended for indoor or outdoor installations in low to medium noise level environments when spot-coverage or directional sound projection is desired. Popular applications for these U.S.-crafted loudspeakers include retail service establishments, drive-in facilities, industrial and manufacturing areas, warehouses, social and recreational centers.

GENERAL DESCRIPTION

SC Series double re-entrant acoustic path loudspeakers are low-cost, weatherproof units which reproduce voice and signal communication with high intelligibility. Models include a built-in 15-watt compression driver with 8 or 45-ohm impedance. Model SC-15-45 is a 45-ohm unit for intercom uses and Model SC-15 is an 8 ohm version for multi-purpose installations. All SC Series loudspeakers are equipped with a high impact molded plastic bell, metal mounting bracket and will accommodate optional 70.7/25-volt transformer. They also feature a swivel base with nut assembly for easy-to-adjust horizontal and vertical positioning. Termination is via a 12" connecting cable. Finish is light beige epoxy.

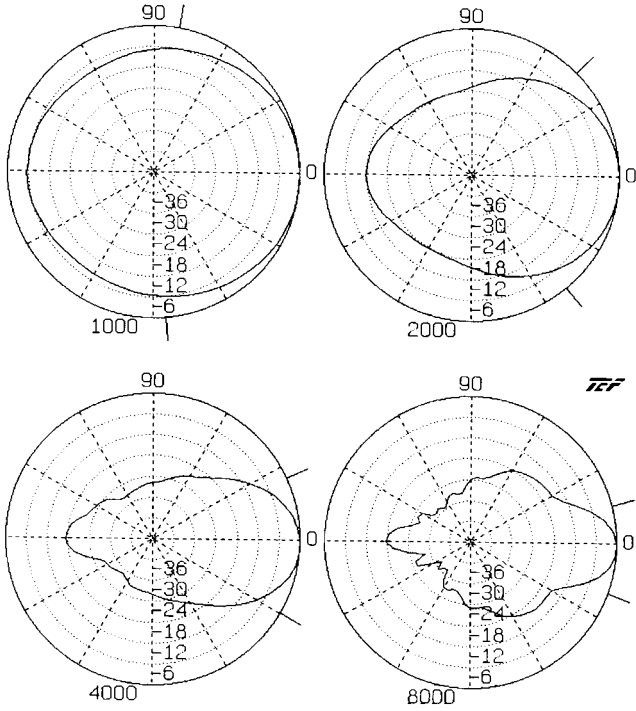


Specifications subject to change without notice



1601 JACK MCKAY BLVD. / ENNIS, TEXAS 75119 U.S.A.  
TELEPHONE: (800) 876-3333 / FAX (800) 765-3435

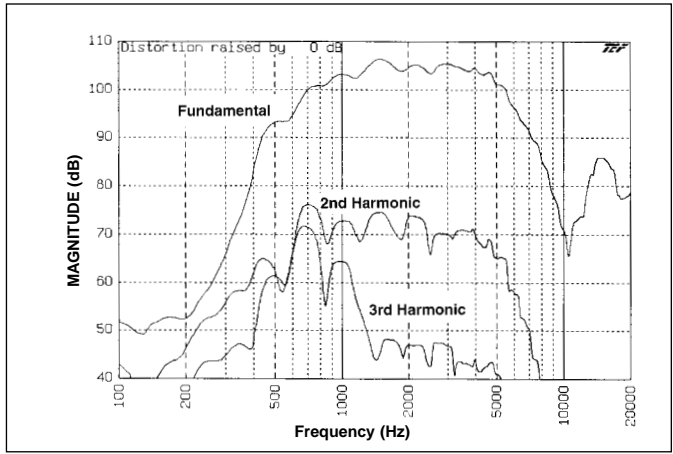
AtlasSound.com



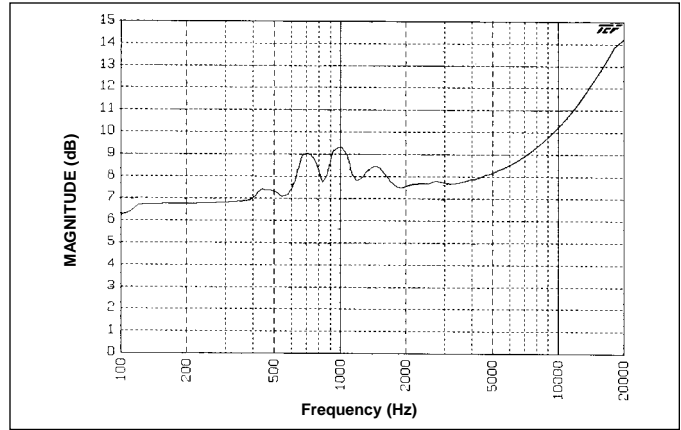
Horizontal Polars Are Normalized To Zero On Axis

SC Series			
Frequency (Hz)	Q	Di	Beamwidth (degrees)
1000	3	5	165
2000	7	9	95
4000	22	14	55
8000	37	16	35

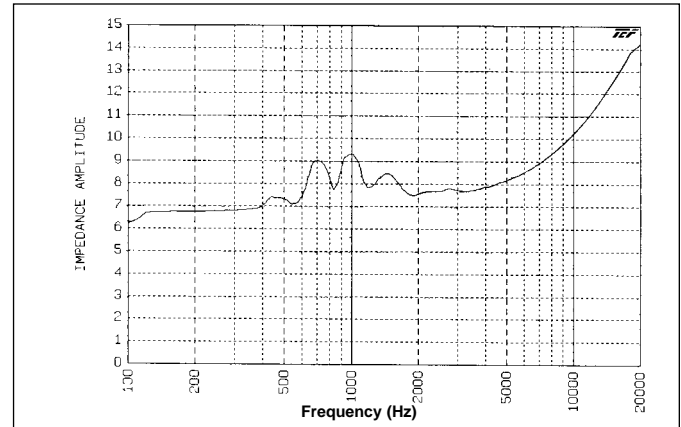
**DRIVER PROTECTION:** The horn loudspeaker should not be operated at frequencies outside the horn cut-off. It is suggested that any program material be high-passed at 400 Hz with a minimum slope 6dB per octave. This can be done by a low level filter at the amplifier input or by a series capacitor at each loudspeaker. Non-polarized electrolytic capacitors may be used.



SC-15 (8 Ohm Model)  
(Harmonic Distortion 1watt at 1 meter)



SC-15 Frequency Response (8 Ohm Model)



SC-15 Impedance (8 Ohm Model)

Atlas Sound products are designed and tested in our well-equipped research laboratory which contains a fully anechoic chamber, complete analog Bruel & Kjaer measurement equipment and Techron® TEF 20® audio analyzer. Atlas Sound is proud to be a beta site for TEF software.

Specifications subject to change without notice



1601 JACK MCKAY BLVD. / ENNIS, TEXAS 75119 U.S.A.  
TELEPHONE: (800) 876-3333 / FAX (800) 765-3435

AtlasSound.com