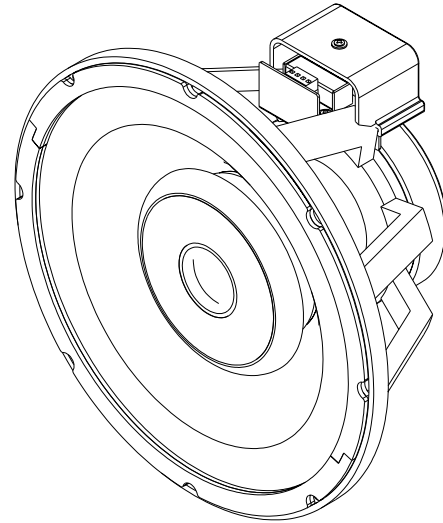


Key Features:

- High 100 dB Sensitivity
- Wide, Smooth 90 Hz - 18 kHz Frequency Response
- High Power Handling, 200W
- Durable Cast Frame
- High Output Dome Tweeter
- 4 Pin Quick Disconnect Phoenix Connector
- Rear Transformer Mounting Holes
- Front or Rear Baffle Installation Capability



General Description:

The 920-8B loudspeaker system is a two-way loudspeaker with a 12.0-in. (30.5 cm) low frequency cone and high temperature voice-coil assembly coaxially mounted with a wide-dispersion dome radiator tweeter. The 920-8B utilizes a dual-section crossover network, centered at 2500 Hz that provides 12 dB/Octave of attenuation for each element outside its operating range. Clear, intelligible speech and fine music reproduction are ensured by the extended 90 Hz to 18 kHz frequency response.

Mounting holes are provided on the rear of the woofer magnet to mount a transformer to operate the loudspeaker from 70.7/100V distribution lines. The 920-8B's frame also allows the loudspeaker to be front- or rear-mounted.

The 920-8B is equipped with a 4 pin phoenix-style connector which enables easy pass-through wiring of up to 12 gauge wire. This allows for quick and secure hookups and long-term reliable operation.

The 920-8B is the ideal loudspeaker when a high-efficiency, wide-dispersion, easily mounted, full range loudspeaker is required for in-ceiling or in-wall installations.

Technical Specifications:

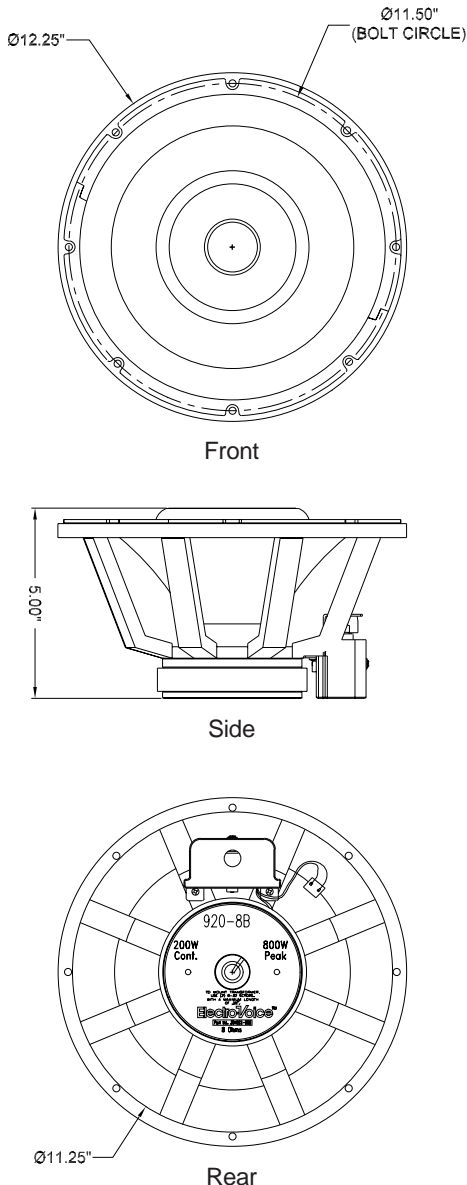
| | |
|--|--|
| Frequency Response ¹ (-3 dB): | 90 Hz to 18 kHz |
| Frequency Range ¹ (-10 dB): | 50 Hz to 20 kHz |
| Rec. Highpass Frequency: | 60 Hz |
| Axial Sensitivity: | 100 dB |
| Max Calculated SPL: | 128 dB |
| Power Handling: | 200W Cont., 800W Peak |
| Crossover Frequency: | 2 kHz |
| Input Terminals: | 4-pin Phoenix-Type Connector |
| Impedance: | 8.0 Ohms Nominal |
| Dimensions: | 311mm Dia. x 127mm Depth (12.25" Dia. x 5.0" Depth) |
| Net Weight: | 6.2 kg (13.5 lbs.) |
| Shipping Weight: | 7.4 kg (16.2 lbs.) |

¹ Half Space Measurements

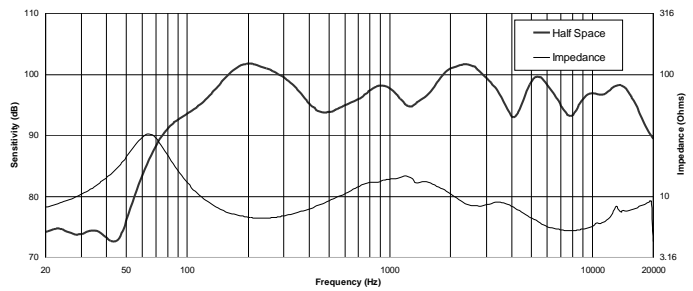
Architects' and Engineers' Specifications

The loudspeaker shall be coaxial with a 12.0-in. (30.5 cm) low-frequency cone and a high temperature voice coil assembly coaxially mounted with a wide dispersion dome radiator tweeter. The loudspeaker shall meet the following criteria: AES power rating shall be 200 watts of band limited pink noise (90 Hz to 18 kHz, 6 dB crest factor). Frequency response, uniform from 90 Hz to 18 kHz. Pressure sensitivity, 100 dB SPL at 1 meter on axis with one watt of band-limited pink noise from 500 Hz to 3 kHz (ref. 20 ipa). Minimum impedance, 5.2 ohms. The voice coils shall be LF 2.0 inches (5.1 cm) and HF - 1.5 inches (3.8 cm) in diameter, driven by ferrite magnets. The loudspeaker shall be 12.3 inches (31.2 cm) in diameter and 5.0 inches (12.7 cm) deep. The weight shall be 13.5 lbs. (6.2 kg). The loudspeaker shall be the Electro-Voice® model 920-8B.

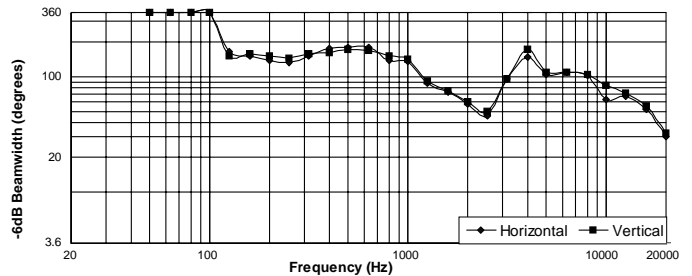
Dimension Drawings:



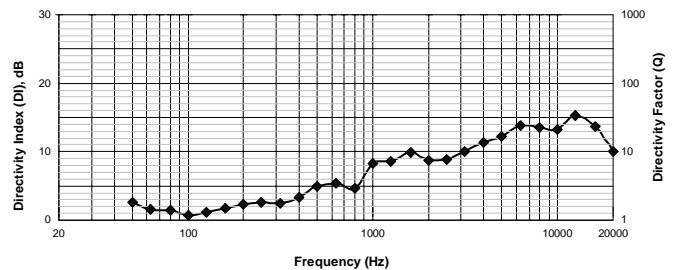
Frequency Response:



Beamwidth:



Directivity:



920-8B Part Number

- 301922-100 920-8B, 12" Coaxial Woofer

Performance Match

- D170180 CPS-2T Power Amplifier, 2 x 600W, Output Transformer
- 500577-000 MA1212 Mixer Amplifier, 120W
- D170263 CPS 2.4 Power Amplifier, 2 x 400W

Accessories

- 1888-3711 TM60 Transformer, 60W



12000 Portland Avenue South, Burnsville, MN 55337
Phone: 952/884-4051, Fax: 952/884-0043

www.electrovoice.com

© Telex Communications, Inc. 1/2006

Part Number 38109-865 Rev B

U.S.A. and Canada only. For customer orders, contact Customer Service at:

800/392-3497 Fax: 800/955-6831

Europe, Africa, and Middle East only. For customer orders, contact Customer Service at:

+ 49 9421-706 0 Fax: + 49 9421-706 265

Other International locations. For customer orders, contact Customer Service at:

+ 1 952 884-4051 Fax: + 1 952 887-9212

For warranty repair or service information, contact the Service Repair department at:

800/685-2606

For technical assistance, contact Technical Support at: 866/78AUDIO

Specifications subject to change without notice.