



CBT 100LA-1

Constant Beamwidth Technology™
Line Array Column Loudspeaker
with Sixteen 50 mm (2 in) Drivers

CBT SERIES

CONSTANT BEAMWIDTH TECHNOLOGY™

Key Features:

- ▶ Patent-pending Constant Beamwidth Technology™ provides constant directivity up to the highest frequencies and reduces out-of-coverage lobing.
- ▶ Vertical pattern coverage switchable between 40° for medium-throw coverage and 15° for long-throw applications.
- ▶ Switchable voicing provides flat response in music mode or mid-range presence peak in speech mode.
- ▶ Dynamic SonicGuard™ overload protection
- ▶ Swivel (pan)/tilt wall bracket included.
- ▶ Built-in 70V/100V transformer, plus 8 ohm direct capability.

Overview:

The CBT 100LA-1, with Constant Beamwidth Technology™, represents a breakthrough in pattern control consistency, utilizing complex analog delay beam-forming and amplitude tapering to accomplish superior, consistent vertical coverage without the narrow vertical beaming and out-of-coverage lobing that are typical of straight form-factor column speakers.

The slim, compact design fits well into virtually any architectural decor. The 100 cm (39.4 in) tall line array height provides consistent pattern control throughout the intelligibility band, making the CBT 100LA-1 ideal for difficult acoustic environments. The combination of superior sound quality, excellent pattern control, and compact design makes CBT 100LA-1 ideal for applications such as lecture halls, transit centers, conference rooms, cathedrals, multipurpose spaces, architectural spaces, and in-wall recessed locations, among many others.

The innovative coverage adjustability allows switching between broad and narrow vertical coverage settings to allow matching the coverage and throw requirements of the application. Coverage can be easily switched in-venue with the speaker already installed. This innovation allows a single loudspeaker model to excel in an extremely wide variety of project types.

The voicing can be set to match the application through the Music/Speech switch. The Music setting provides flat frequency response, while the Speech setting produces a mid-range presence boost to provide clear, intelligible speech even at the longest throw distances.

The drivers feature dual neodymium magnets for light weight. Copper capped pole pieces lower both the driver inductance and the flux modulation, resulting in increased high frequency extension and reduced distortion at high drive levels. Butyl rubber surrounds

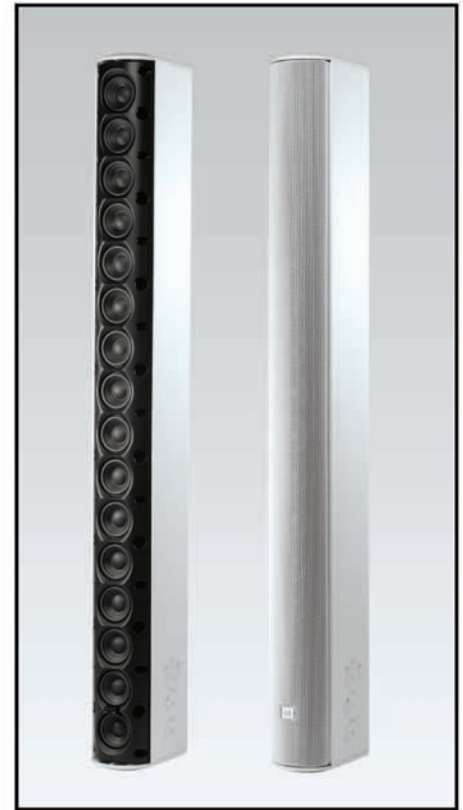
provide long life even in high humidity environments. The drivers are shielded.

Dynamic SonicGuard™ minimizes distortion at high drive levels by limiting low frequency excursion dynamically. This maximizes clarity at high drive levels while protecting the drivers from damage due to overpowering.

A swivel (pan)/tilt wall-mount bracket is included, plus eighteen M6 inserts on the back panel fit the spacing of common third-party mounting brackets, or can be utilized to suspend the speaker using forged shoulder steel eyebolts, providing installation versatility.

CBT 100LA-1 can be installed either indoors or outdoors. The drivers are weather-treated, the fiberglass reinforced ABS cabinet is excellent for outdoor applications, external screws are stainless steel screws, and the painted aluminum grille resists rusting in the harshest conditions.

Available in black or white (-WH).



Specifications:

Components:	Sixteen 50 mm (2 in) Full-Range
Frequency Range (-10 dB):	80 Hz – 20 kHz
Vertical Coverage:	Vertical
	Narrow Mode: 15° (2 kHz - 16 kHz) (±10°)
	Broad Mode: 40° (1 kHz - 16 kHz) (±10°)
	Horizontal :150° (ave, 1 kHz - 4 kHz, ±20°)
Sensitivity (2.83V@ 1m):	Narrow: (speech mode) 96 dB (2 kHz - 14 kHz) (music mode) 93 dB (300 Hz - 18 kHz)
	Broad: (speech mode) 93 dB (2 kHz - 14 kHz) (music mode) 90 dB (300 Hz - 18 kHz)
Nominal Impedance:	8 ohms (in Thru mode)
Power Capacity	325 W (1300W peak), 2 hrs
(8 ohm setting):	200 W (800W peak), 100 hrs
Max SPL ¹ :	Narrow: (speech mode) 121 dB cont ave (127 peak) (music mode) 118 dB cont ave (124 peak)
	Broad: (speech mode) 118 dB cont ave (124 peak) (music mode) 115 dB cont ave (121 peak)
70V/100V Transformer Taps:	120W, 60W, 30W, (15W at 70V only), and 8Ω thru, via switch
Enclosure:	Fiberglass reinforced ABS cabinet, painted aluminum grille
Outdoor Capability:	IP-54 rated, per IEC529. UV, moisture and salt-spray resistant
Colors:	Black or White (-WH)
Insert Points:	18 M6 insert points on back panel.
Mounting:	Included swivel (pan)/tilt wall bracket provides continuously variable +/-80 degree left-right swivel aiming (at no up/down tilt - see Bracket Guide for maximum swivel range at various up/down tilt angles), continuously adjustable ±15 degree tilt, as well as 5 degree fixed increment points. Eighteen threaded mounting points located on back panel conform to industry standard rectangular 108 x 51 mm (4.25 x 2.0 in) pattern for OmniMount® 30.0 and other compatible third-party brackets. Threaded mounting points can be utilized for suspension.
Dimensions (H x W x D):	1000 x 98.5 x 153 (39.4 in x 3.8 in x 6.0 in)
Net Weight:	7.2 kg (15.8 lb)
Included Accessories:	Swivel (pan) / tilt wall bracket
Optional Accessories:	MTC-PC2 terminal panel cover MTC-CBT-FM1 flush-mount low-profile wall-mount bracket MTC-CBT-SMB1 Stand-Mount Bracket for use with 35 mm speaker stand

¹Full space

²IEC standard, full bandwidth pink noise with 6 dB crest factor.

³Calculated based on power rating and measured sensitivity, exclusive of power compression.

JBL continually engages in research related to product improvement.

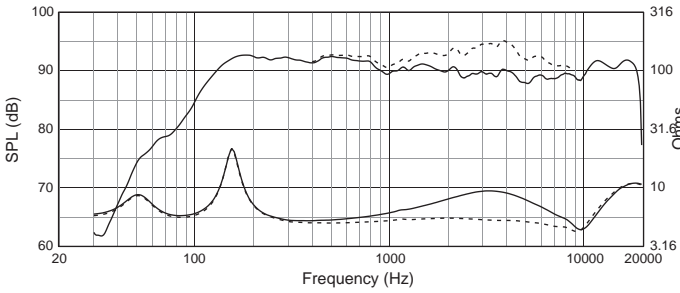
Changes introduced into existing products without notice are an expression of that philosophy.

CBT 100LA-1 Line Array Column Loudspeaker with Sixteen 50 mm (2 in) Drivers

Broad Setting

Frequency Response:

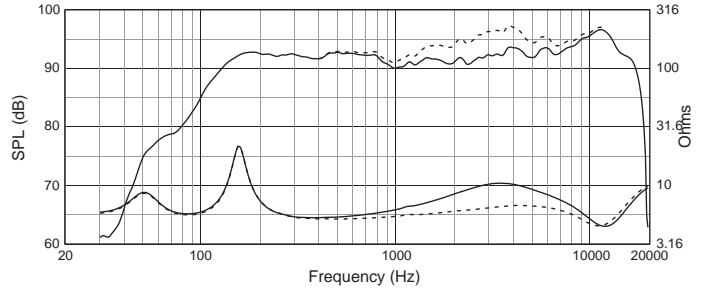
“Music” Mode (solid); “Speech” Mode (dotted),
1W, 1m, and Impedance



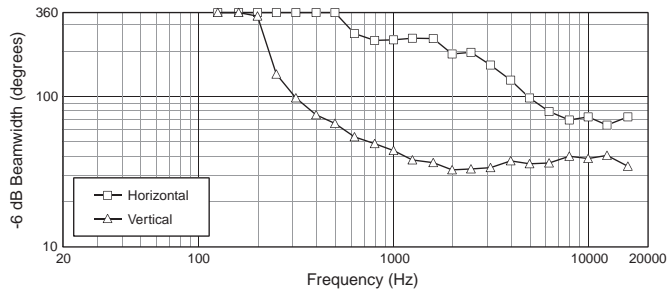
Narrow Setting

Frequency Response:

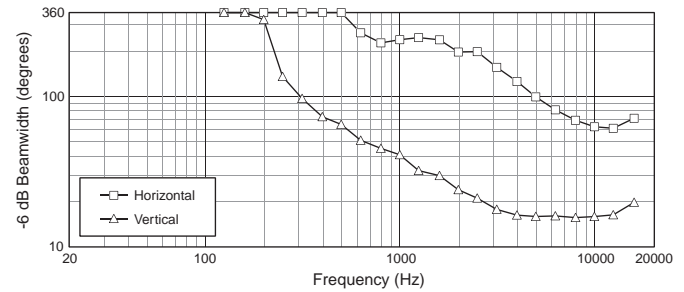
“Music” Mode (solid); “Speech” Mode (dotted),
1W, 1m, and Impedance



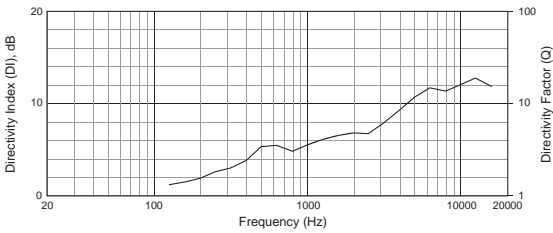
Beamwidth:



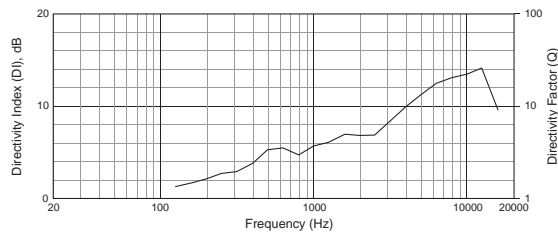
Beamwidth:



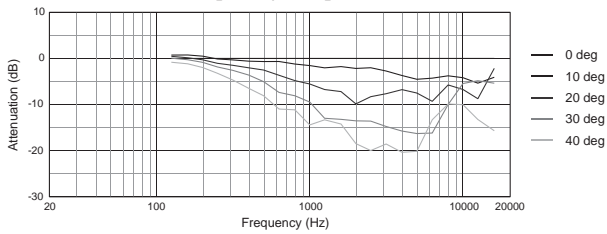
Directivity, Q



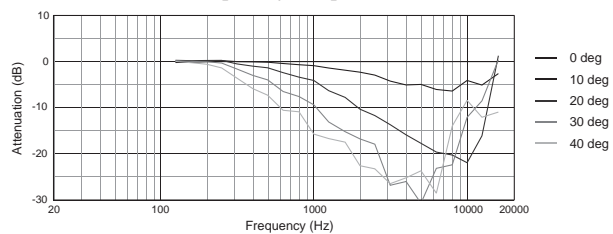
Directivity, Q



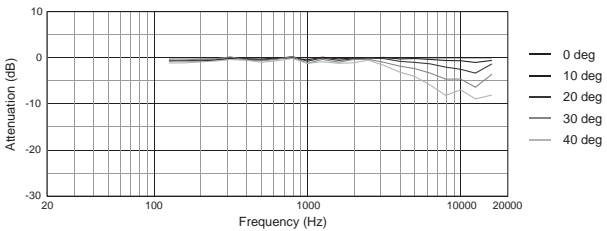
Vertical Off-Axis Frequency Response



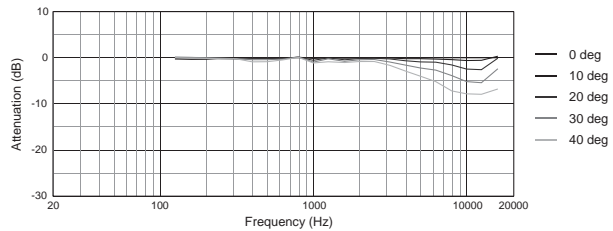
Vertical Off-Axis Frequency Response



Horizontal Off-Axis Frequency Response



Horizontal Off-Axis Frequency Response

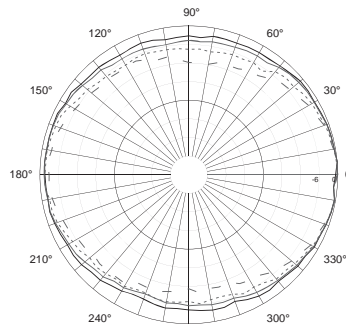


CBT 100LA-1 Line Array Column Loudspeaker with Sixteen 50 mm (2 in) Drivers

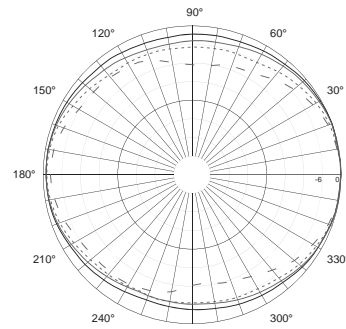
Broad Setting

Narrow Setting

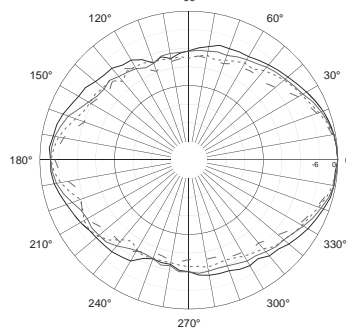
Vertical 1/3 Octave Polars



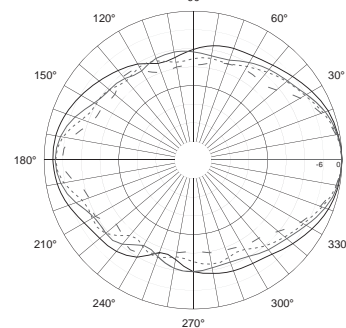
- 200 Hz
- 250 Hz
- 315 Hz
- - 400 Hz



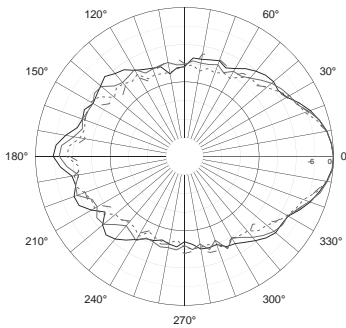
- 200 Hz
- 250 Hz
- 315 Hz
- - 400 Hz



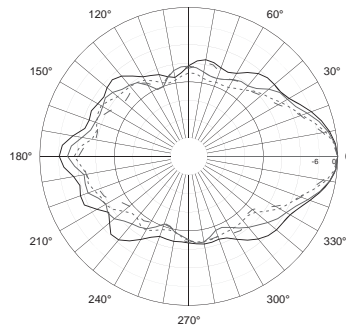
- 500 Hz
- 630 Hz
- 800 Hz
- - 1 kHz



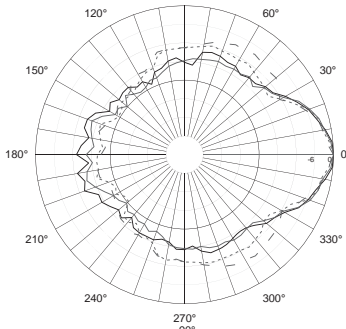
- 500 Hz
- 630 Hz
- 800 Hz
- - 1 kHz



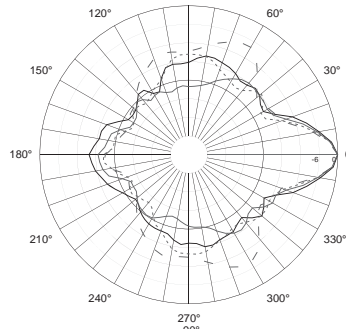
- 1.25 kHz
- 1.6 kHz
- 2 kHz
- - 2.5 kHz



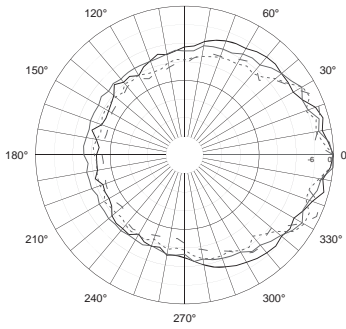
- 1.25 kHz
- 1.6 kHz
- 2 kHz
- - 2.5 kHz



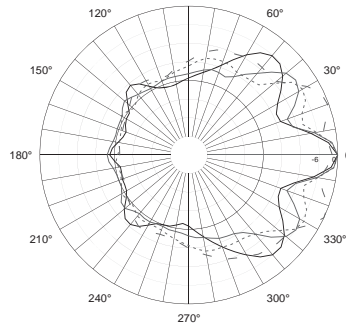
- 3.15 kHz
- 4 kHz
- 5 kHz
- - 6.3 kHz



- 3.15 kHz
- 4 kHz
- 5 kHz
- - 6.3 kHz



- 8 kHz
- 10 kHz
- 12.5 kHz
- - 16 kHz



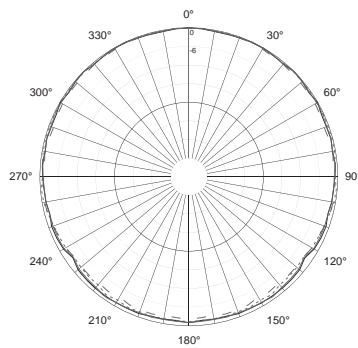
- 8 kHz
- 10 kHz
- 12.5 kHz
- - 16 kHz

CBT 100LA-1 Line Array Column Loudspeaker with Sixteen 50 mm (2 in) Drivers

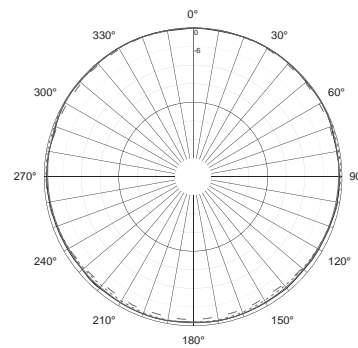
Broad Setting

Narrow Setting

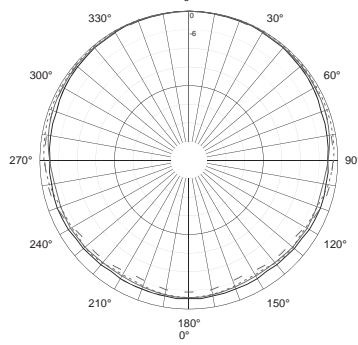
Horizontal 1/3 Octave Polars



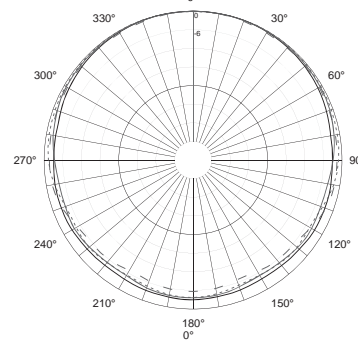
- 200 Hz
- 250 Hz
- 315 Hz
- - - 400 Hz



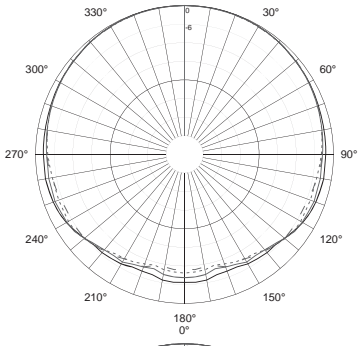
- 200 Hz
- 250 Hz
- 315 Hz
- - - 400 Hz



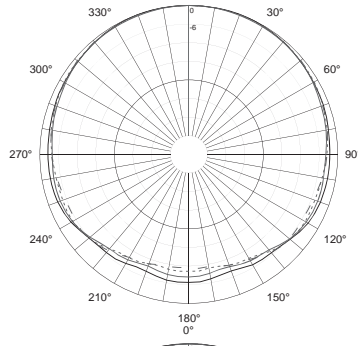
- 500 Hz
- 630 Hz
- 800 Hz
- - - 1 kHz



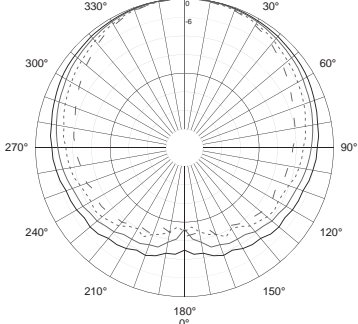
- 500 Hz
- 630 Hz
- 800 Hz
- - - 1 kHz



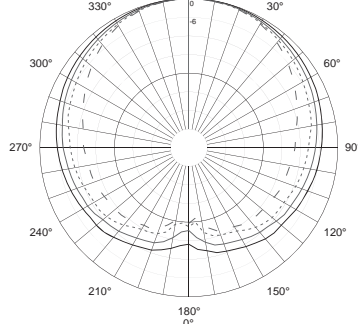
- 1.25 kHz
- 1.6 kHz
- 2 kHz
- - - 2.5 kHz



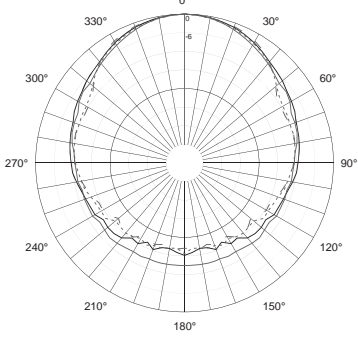
- 1.25 kHz
- 1.6 kHz
- 2 kHz
- - - 2.5 kHz



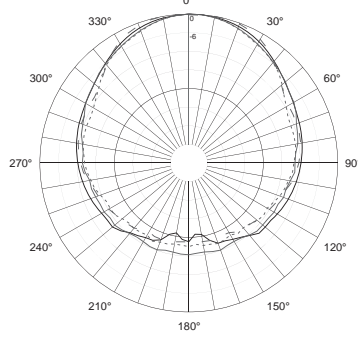
- 3.15 kHz
- 4 kHz
- 5 kHz
- - - 6.3 kHz



- 3.15 kHz
- 4 kHz
- 5 kHz
- - - 6.3 kHz



- 8 kHz
- 10 kHz
- 12.5 kHz
- - - 16 kHz

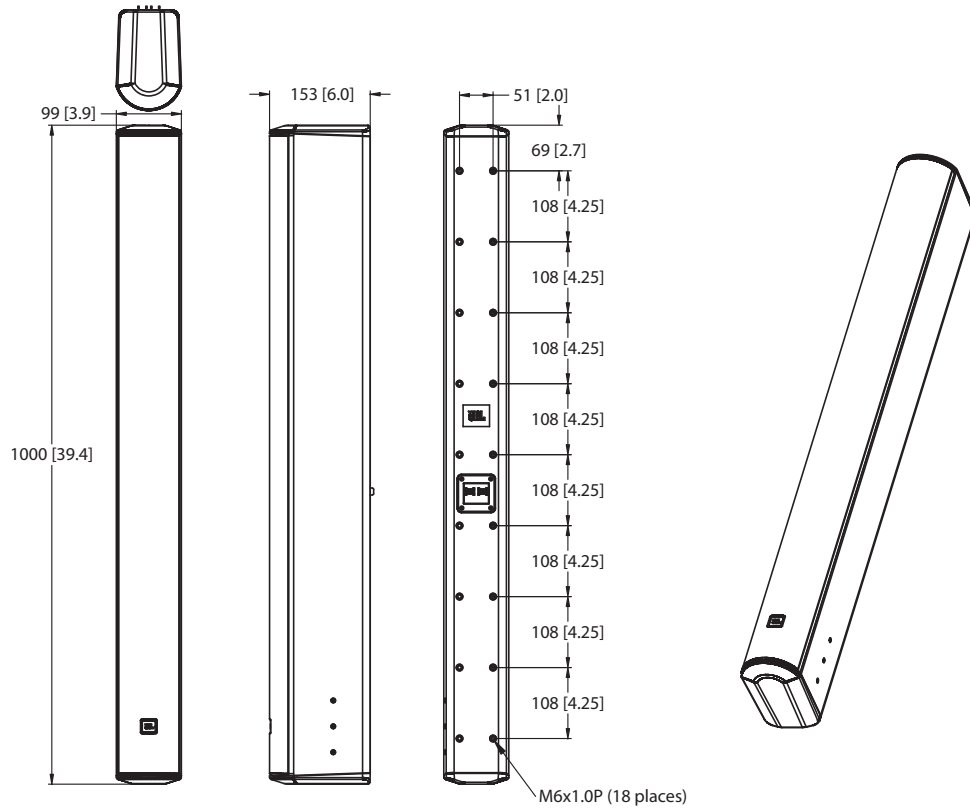


- 8 kHz
- 10 kHz
- 12.5 kHz
- - - 16 kHz

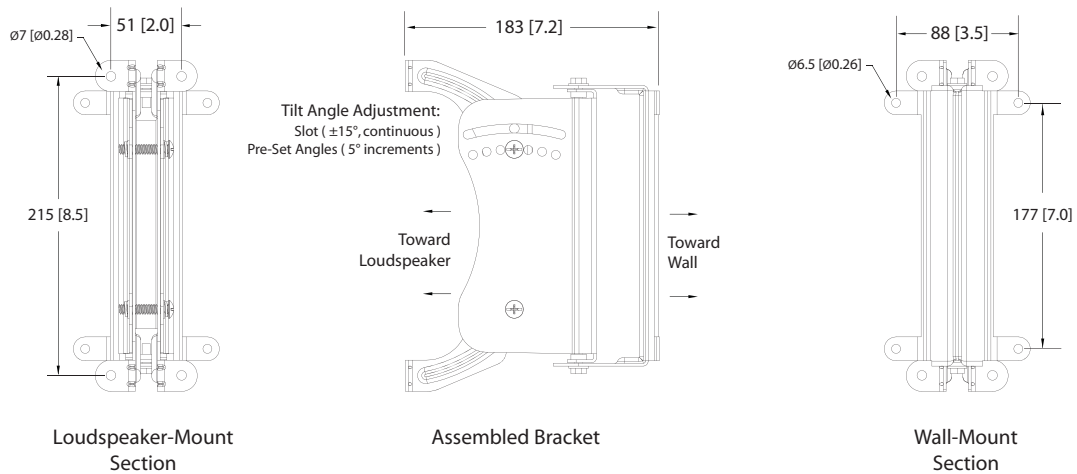
CBT 100LA-1 Line Array Column Loudspeaker with Sixteen 50 mm (2 in) Drivers

Dimensions:

Dimensions in mm (in)



Wall Bracket



JBL Professional
 8500 Balboa Boulevard, P.O. Box 2200
 Northridge, California 91329 U.S.A.

© Copyright 2011 JBL Professional
www.jblpro.com

SSCBT100LA-1
 04/11