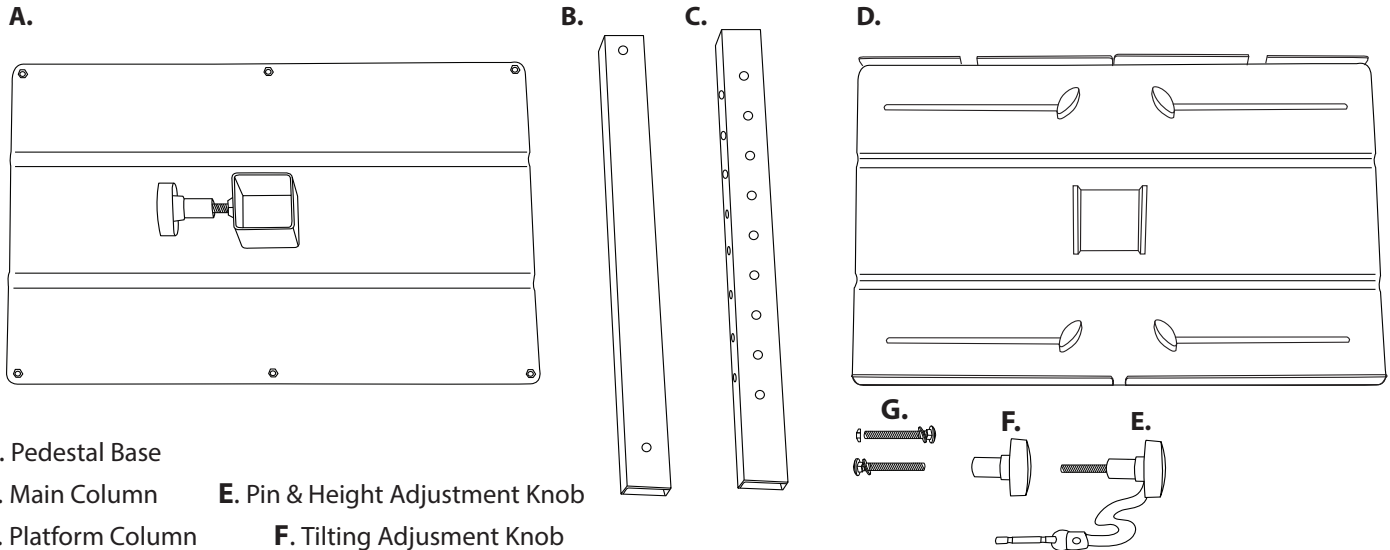


REVIEW MATERIALS

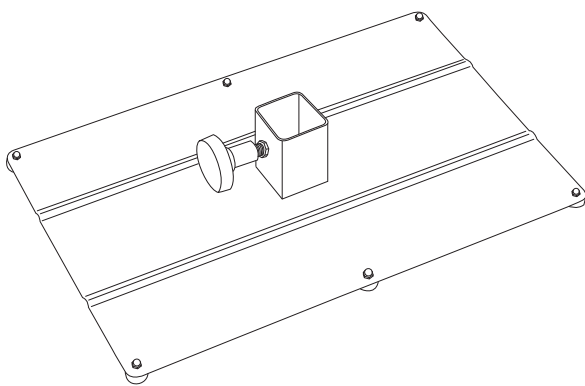
Remove item from box. Compare the contents against the Parts List below. If any parts are missing, do not attempt to assemble this stand. Instead, contact the Customer Service Department at cs@MusicPeopleInc.com or call us at (800) 289-8889.



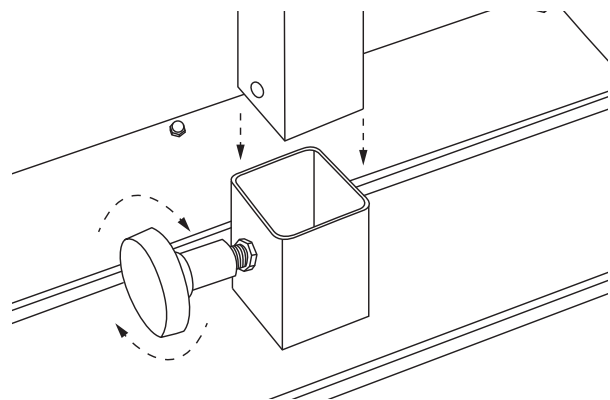
- A.** Pedestal Base
- B.** Main Column
- C.** Platform Column
- D.** Telescoping Platform
- E.** Pin & Height Adjustment Knob
- F.** Tilting Adjustment Knob
- G.** 2x long bolts & 1x Nut and Washer

***Tools Needed.** 13mm Hex Socket or 13mm Open-End Wrench

ASSEMBLE THE BASE AND MAIN COLUMN

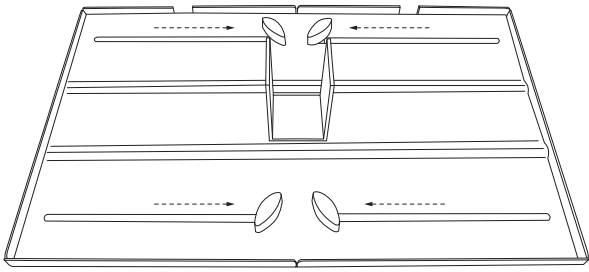


1. Place the pedestal base on level ground, rubber feet facing downwards.

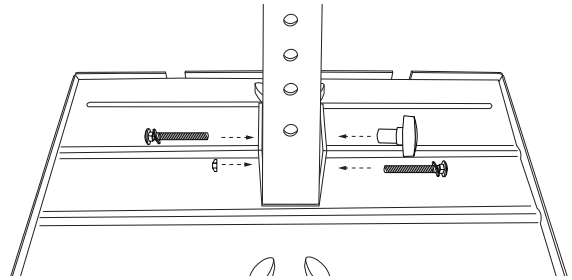


2. Loosen the large base knob enough to allow the main column to nest inside. The bottom of the main column has a hole that lines up with the large base knob. Insert the main column into the base as shown and tighten the knob until secure.

ASSEMBLE THE TELESCOPING PLATFORM AND HEIGHT-ADJUSTING COLUMN



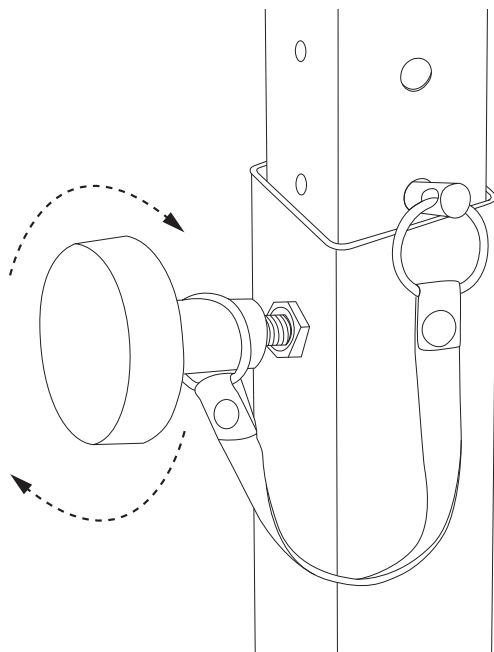
1. Locate the telescoping platform and make sure it is in its narrowest position. If necessary, loosen the cat's-eye knobs to adjust the platform width.
2. Place the flat side of the platform on a level surface. Line up the large holes at the top of the height-adjusting column inside the brackets on the platform.



3. Insert a long screw through the holes closest to the platform. Secure the assembly with the included washer and bolt. Use a 13mm hex socket wrench or 13mm open end wrench to tighten gently. Leave the joint loose enough to adjust the tilting angle, but tight enough to keep the screw in the square anti-rotation cut out.
4. Insert the other long screw through the slots in the brackets and the matching holes in the column. Secure with a washer and the included knob.

Note: This knob allows for tilt adjustment and should be placed on the right side for right-handed players or on the left side for left-handed players. The front of the tray can be identified by the two upturned tabs.

FINAL ASSEMBLY



5. STEP 1) Insert the platform/column assembly into the base/column assembly as shown. Note that the platform and base are parallel and the front of the platform is the side with the upturned tabs.

STEP 2) Locate the height adjustment knob and the security pin. Tether the security pin strap by capturing its ring between the height adjustment knob and the welded nut at the top of the main column. Tighten the height adjustment knob just enough to keep it in place.

STEP 3) Lift the height adjustment column to the desired height and insert the security pin into the corresponding hole as shown. Tighten the height adjustment knob to complete assembly.

