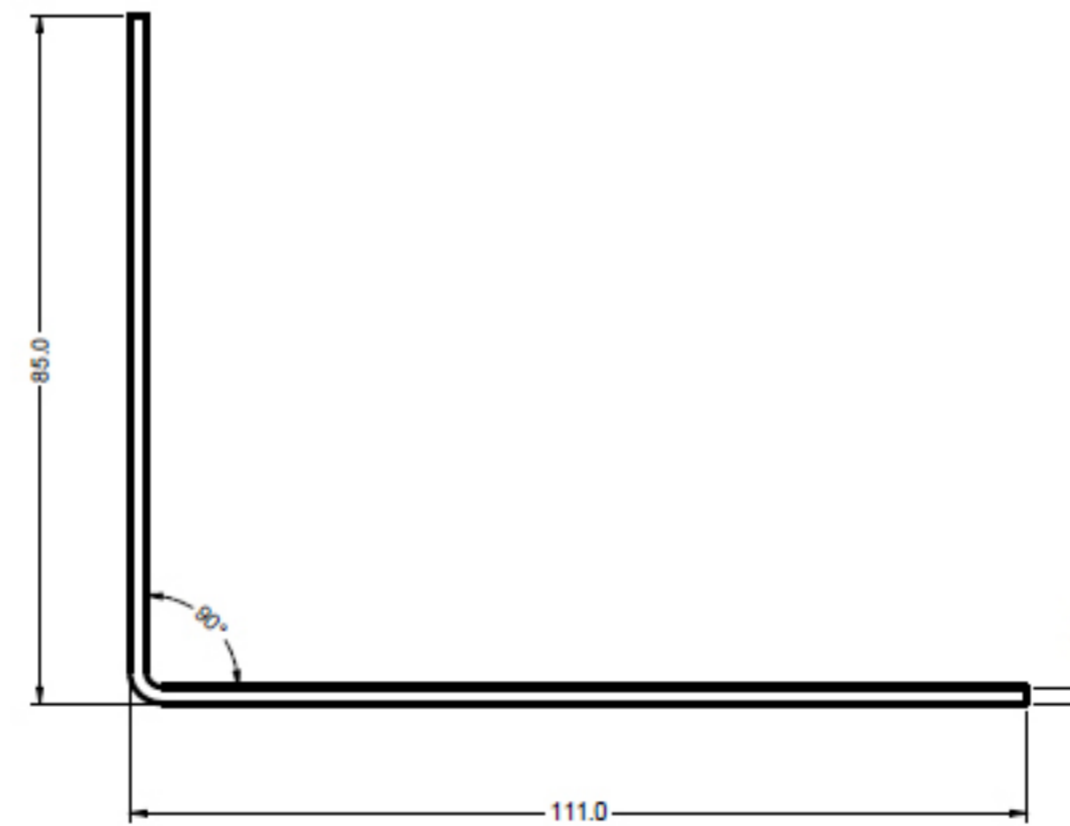
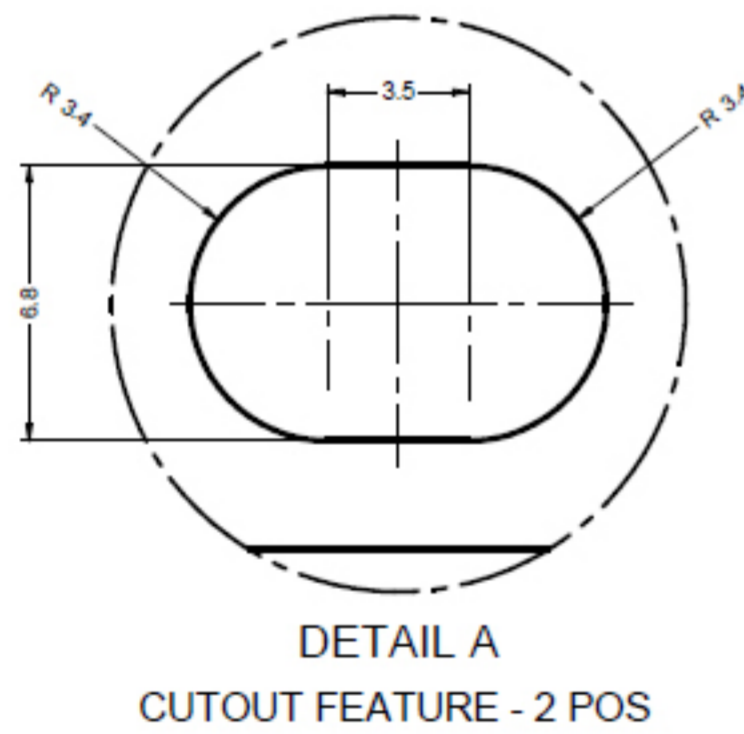
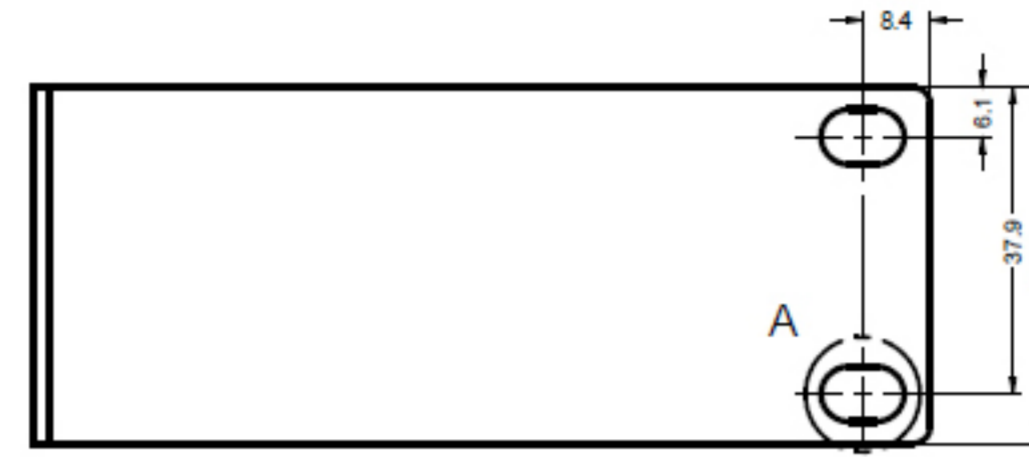
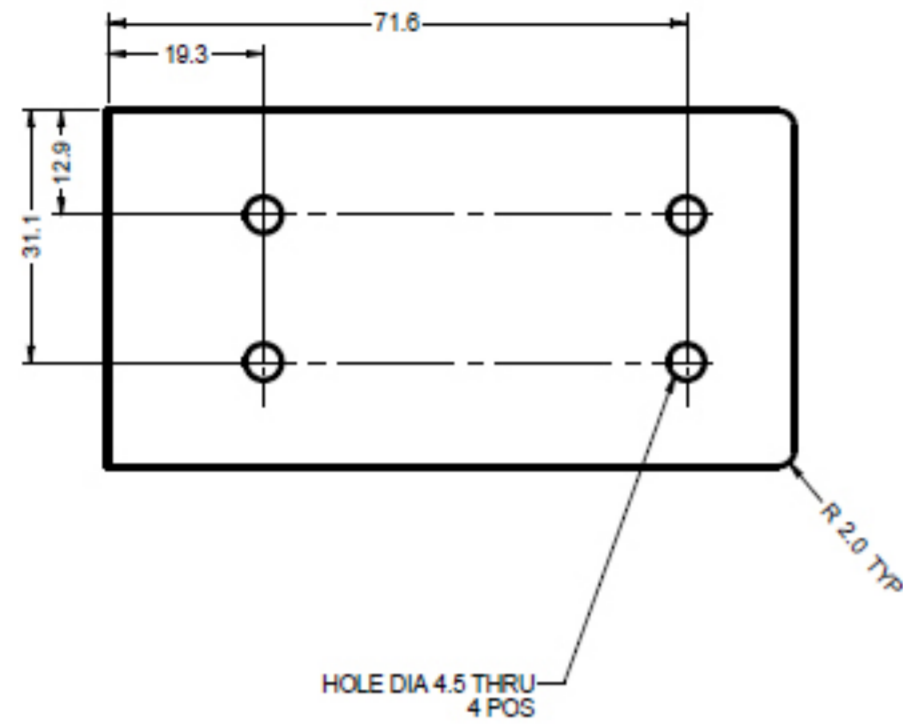
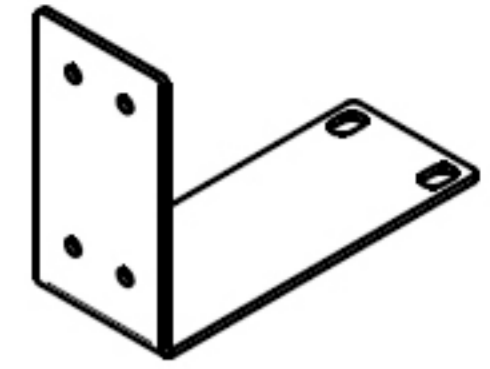


DO NOT SCALE
THIRD ANGLE PROJECTION



NOTES:
TYPICAL CUT RADIUS R0.5
UNLESS STATED OTHERWISE

ALL DIMENSIONS IN MM

MATERIAL:
2.0mm ZINTEC OR MILD STEEL

FINISH:
PAINT ALL OVER TO SPECIFICATION
RAL9005 JET BLACK SMOOTH
SEMI-MATT POLYESTER

PUNCHED PANEL TO HAVE
ROUNDED EDGES TO OUTSIDE FACE

REMOVE ALL BURRS

NO SHARP EDGES

TOLERANCES:
+ OR - 0.2 MM EXCEPT WHERE
OTHERWISE STATED

TOLERANCES ARE NON
PROGRESSIVE

HIDDEN DETAIL NOT SHOWN

TO FIT TOGETHER WITH PARTS
ANALOG SECURE SWITCHES

ISSUE	DESCRIPTION	DATE	BLACK BOX NETWORK SERVICES 1000 PARK DRIVE LAWRENCE, PA 15055-1018	TITLE ANALOG SECURE SWITCH RACK MOUNT BRACKET	DRAWN	CHECKED	APPROVED	DATE 19.07.11
1	FIRST ISSUE	19.07.11						
2								
3								

DRAWING No. 228541